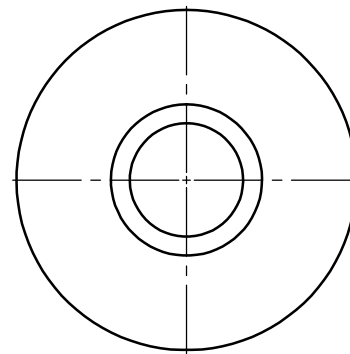
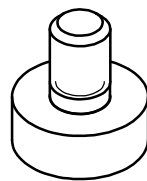
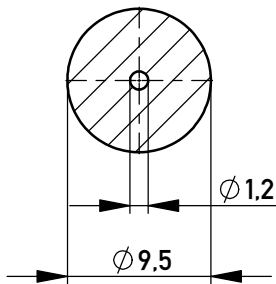


Layout - Vorschlag
 PCB - Layout proposal
 M 2:1
 scale 2:1

M 2:1 / scale 2:1



5-10µm Sn matt über 1-3µm Ni /
 5-10µm sn matt over 1-3µm ni

Oberfläche A / plating A

| | | | | |
|---|--|-----------------------------|--|-----------|
| Information: | Tolerances | All Dimensions in mm | Scale | 5:1 |
| | | | Material: | CuZn39Pb3 |
| All rights reserved. Only for Information. To ensure that this is the latest version of this drawing, please contact one of the ERNI companies before using. | Subject to modification without prior notice. Drawing will not be updated. | | Designation PowerElement SMD <i>male thread M4 with peg</i> | |
| | | www.ERNI.com | 225863 | |
| b | 28.06.2017 | | | I |
| Index | Date | | Class | POWELM |
| | | | | A4 |

Copyright by ERNI Production GmbH & Co. KG
 Proprietary notice pursuant to ISO 16016 to be observed.