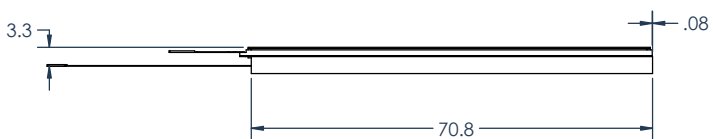
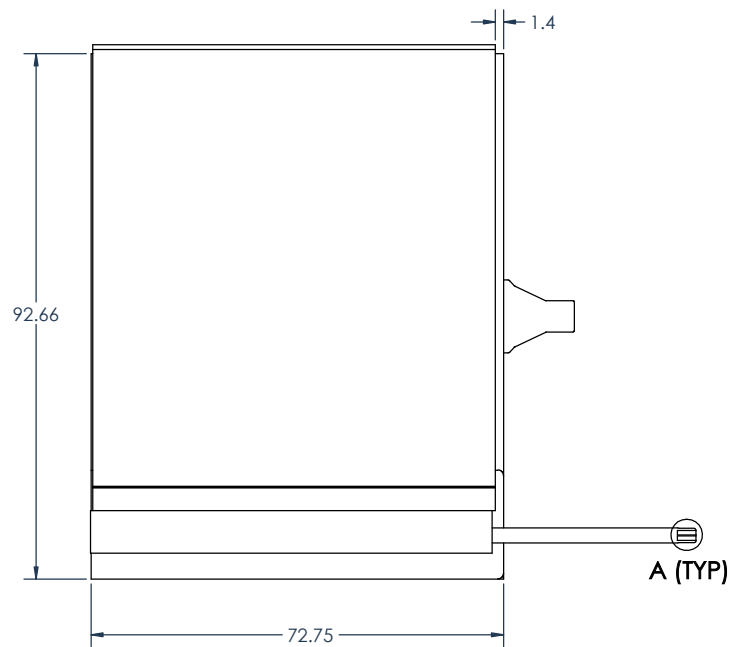
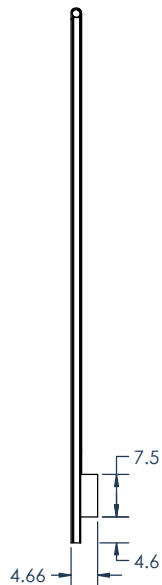
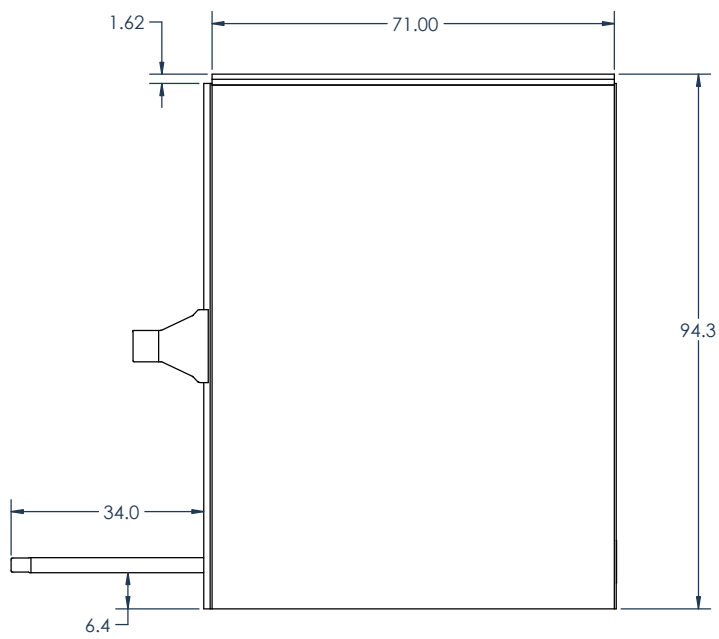


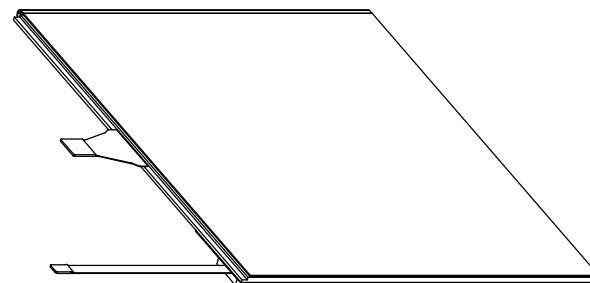
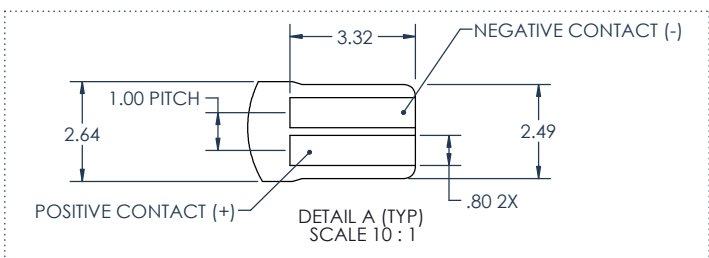
ITEM NO.	Part_Number	Version	Part_Name	Qty	Revision
1	12566	06	Film Assembly, 4.4 FLP, JDI	1	T2
2	12440	01	Display, JDI 4.4", LPM044M141A	1	T1
3	12347	06	Roll Spacer, 4.4 FLP, JDI	1	T1
4	12348	06	Light Blocking Film, 4.4 FLP, JDI	1	T2

REV	DESCRIPTION	ECN	BY	APPR.	DATE
T1	INITIAL RELEASE	1530	NE	MC	06/06/2018
T2	UPDATE FILM WIDTH, OPAQUE TAPE AND LED LENGTH	1752	NE	KR	06/19/2019




CAD FILES BASED ON  
PRELIMINARY DESIGNS

FUTURE REVISIONS MAY  
UNDERGO MINOR  
DIMENSIONAL CHANGES



**PRELIMINARY**

<b>PROPRIETARY AND CONFIDENTIAL</b>		UNLESS OTHERWISE SPECIFIED: DIMENSIONS ARE IN MILLIMETERS		 PART NAME <b>4.4" FLP, JDI</b>	
THE INFORMATION CONTAINED IN THIS DRAWING IS THE SOLE PROPERTY OF FLEX LIGHTING, II LLC.  ANY REPRODUCTION IN PART OR AS A WHOLE WITHOUT THE WRITTEN PERMISSION OF FLEX LIGHTING, II LLC. IS PROHIBITED.		TOLERANCES: .X = ±0.5 .XX = ±.2  ANGLES: ±2.0°			
DRAWN BY: NE		DATE: 06/07/2018		PART NUMBER: <b>12567</b>	
DESIGN BY: NE		DATE: 06/07/2018		PROJECT NUMBER: 14.001	
		SCALE: 3:2		VERSION: 06	REVISION: T2
				SHEET 1 OF 1	