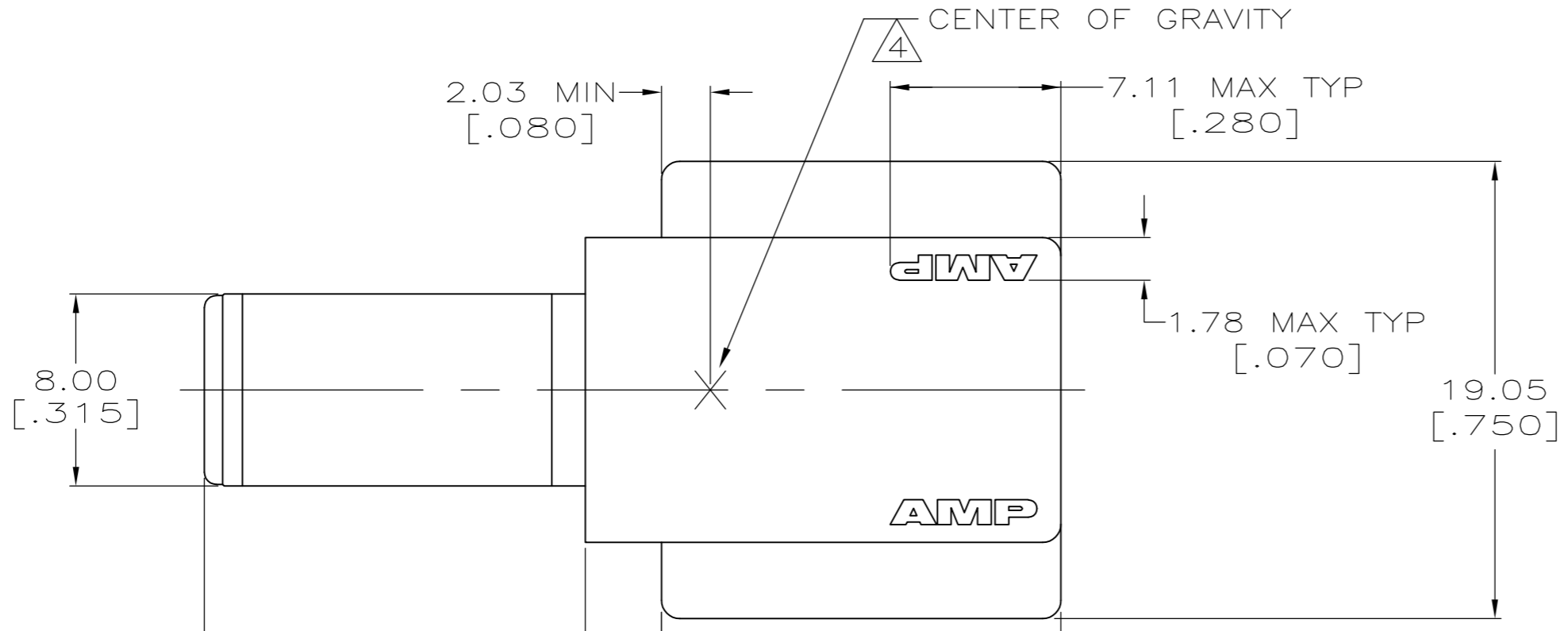
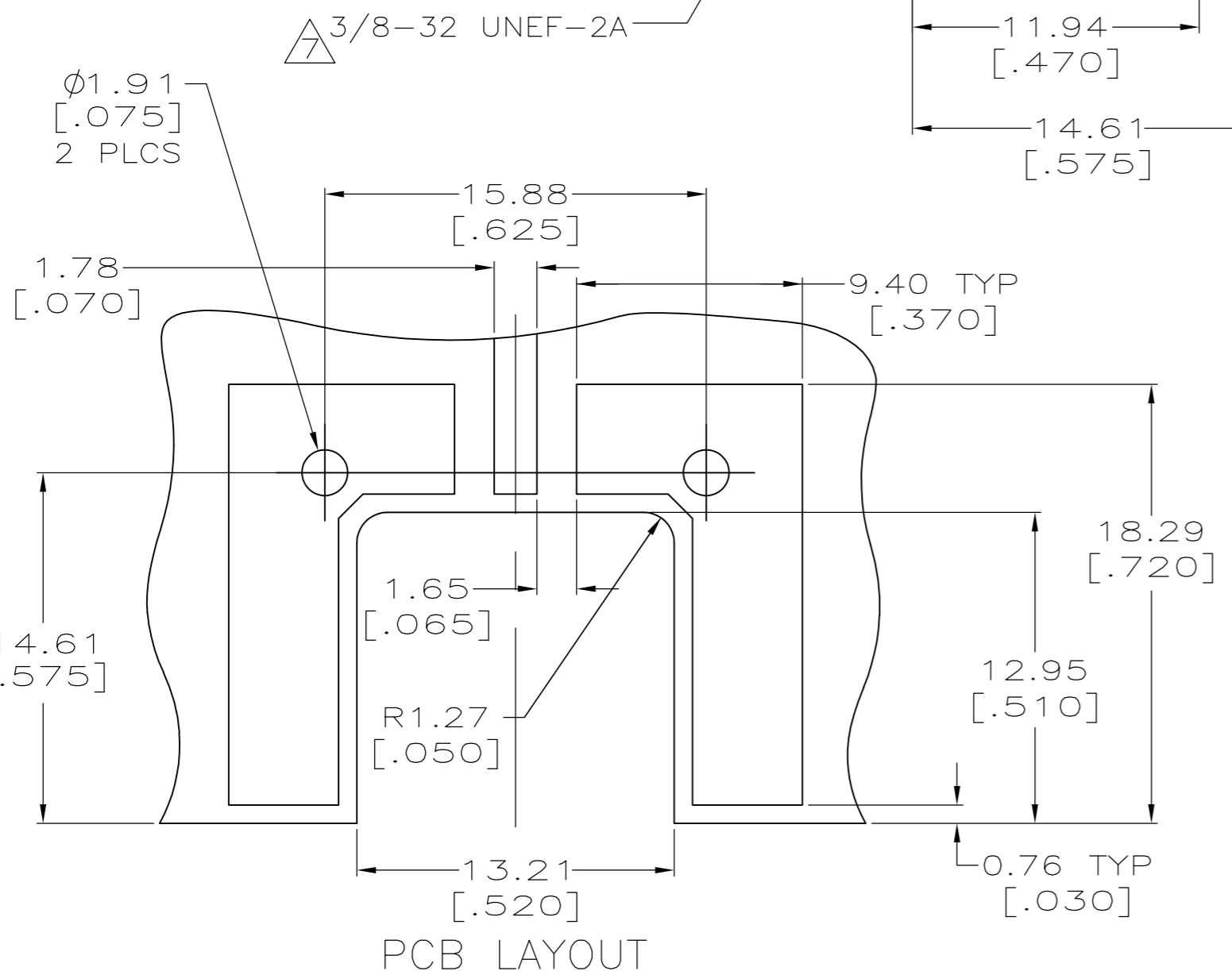
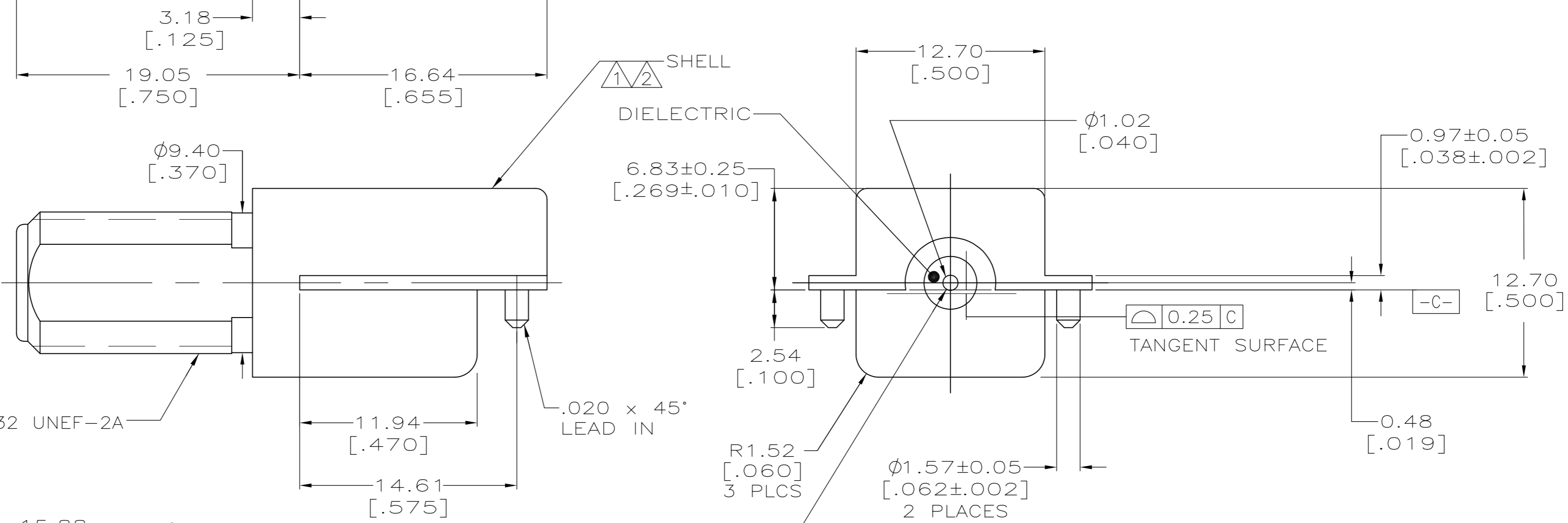


THIS DRAWING IS UNPUBLISHED. RELEASED FOR PUBLICATION  
 © COPYRIGHT BY TYCO ELECTRONICS CORPORATION. ALL RIGHTS RESERVED.

LOC	DIST	REVISIONS			
P	LTR	DESCRIPTION	DATE	DWN	APVD
AJ	16	REV PER ECO 08-014295	6/9/2008	DW	JL



- 1 ZINC PER QQ-Z-363.
- 2 TIN PLATE PER ASTM-B-545, 3.81 μm [.000150] MINIMUM THICK.
- 3. CONTACT WILL ACCEPT CENTER CONDUCTOR DIAMETER RANGE OF 0.56 [.022]-1.07 [.042].
- 4 CONNECTOR IS COUNTERBALANCED FOR VACUUM PICKUP AND ANTI-TIPPING ON PCB.
- 5 PHOSPHOR BRONZE PER QQ-B-750.
- 6 POLYESTER PCT GENERAL PURPOSE.
- 7 MAJOR DIA MODIFIED TO .363 REF.



CONTACT MATERIAL	DIELECTRIC MATERIAL	5415322-2
		PART NUMBER

THIS DRAWING IS A CONTROLLED DOCUMENT.		DWN G. ATTADIA - DOCK5 01FEB2005	Tyco Electronics Corporation Harrisburg, Pa 17105-3608	
DIMENSIONS: mm [INCHES]		CHK J. HAVENER 01FEB2005	NAME JACK, PCB, SURFACE MT, F SERIES	
TOLERANCES UNLESS OTHERWISE SPECIFIED:		APVD K. WEIDNER 01FEB2005	PRODUCT SPEC 108-1758	
0 PLC ± -		APPLICATION SPEC -		
1 PLC ± -		WEIGHT 22 GRAMS		
2 PLC ± 0.13 [.005]		SCALE 4:1		
3 PLC ± -		SHEET 1 OF 1		
4 PLC ± -		REV A		
ANGLES ± -		CUSTOMER DRAWING		
FINISH		CAGE CODE 00779		
SEE NOTES 1		DRAWING NO C=5415322		
SEE NOTE 2		RESTRICTED TO -		

5415322