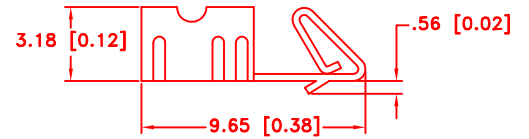
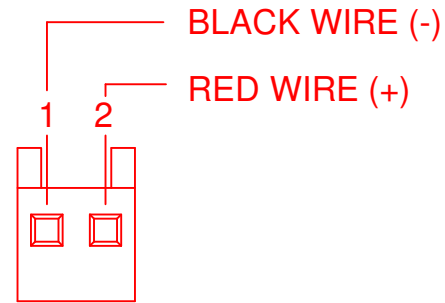
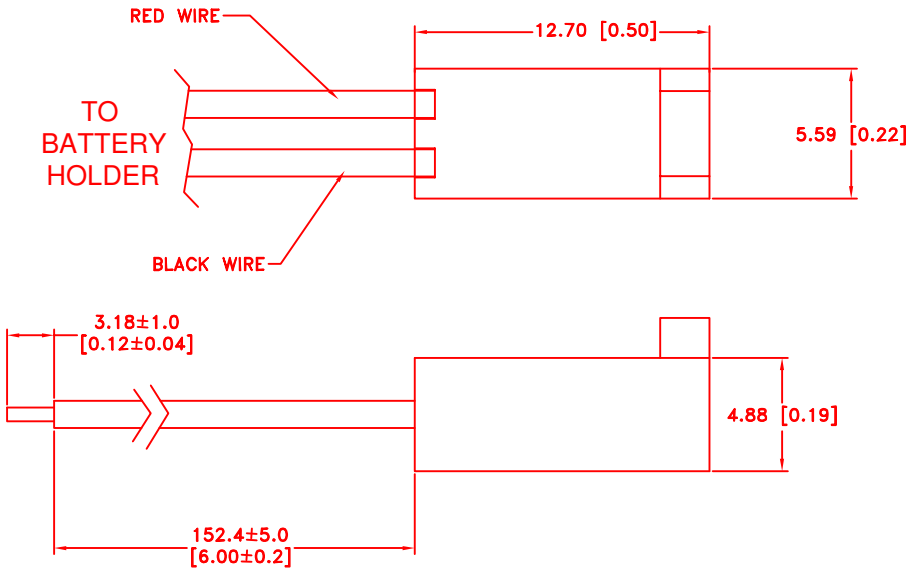


| Date | SYM | REVISION RECORD | AUTH | DR. | CK. |
|----------|-----|------------------------|------|------|-----|
| 10/28/06 | A | ADDED "ROHS COMPLIANT" | T.B. | B.S. | |
| | | | | | |
| | | | | | |
| | | | | | |
| | | | | | |




FEMALE CONNECTOR PIN



NOTES:

- HOUSING: RED NYLON, UL94V-0
TEMP.: -40°C TO 75°C
UL FILE NO.: E29179, CSA FILE NO.: LR19980
MATES WITH: 4030, 4380, 4094, 6373, 6410, 7395, 7478, 42152, 42153, 42225, 42226, 42227, 42228, 42375, 42376, 70021, 70327, 70475
- CONTACT: BRASS, TIN PLATING
TEMP.: -40°C TO 75°C
- WIRES : 26 AWG, UL1007, CSA, TR64
- ROHS COMPLIANT

| PART NO. | DESCRIPTION | | QTY |
|---------------------------------------|---|----------------|------------------|
| 22-01-3027 | MOLEX TYPE CONNECTOR OR EQUIV. | | 1 |
| 08-50-0114 | MOLEX TYPE CONNECTOR PINS OR EQUIV. (LOOSE FORM) | | 2 |
| Tolerance (Except as noted) | | | |
| decimal |  Memory Protection Devices, Inc 200 Broad Hollow Road, Farmingdale, New York 11735 | | Scale |
| ±.5 (.020) | | | Drawn By B.S. |
| Fractional | Title | | Approved By T.B. |
| ± .8 (.030) | 2 POSITION LATCHING CONNECTOR WITH POLARIZING RIB, 2.54mm PIN SPACING | | |
| Angular | Date | Drawing Number | |
| ± 3° | 10/28/06 | MPD-411 | |