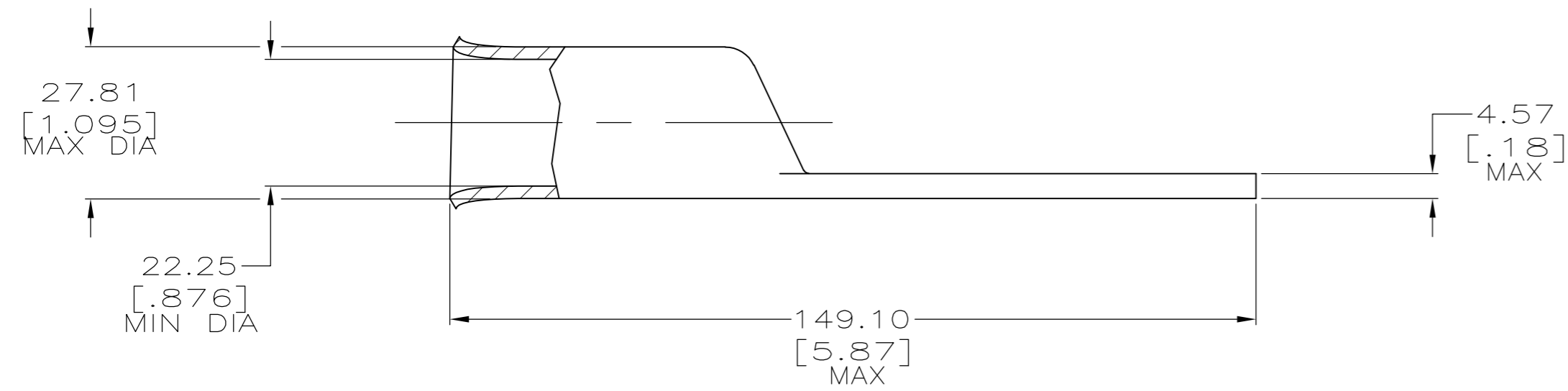
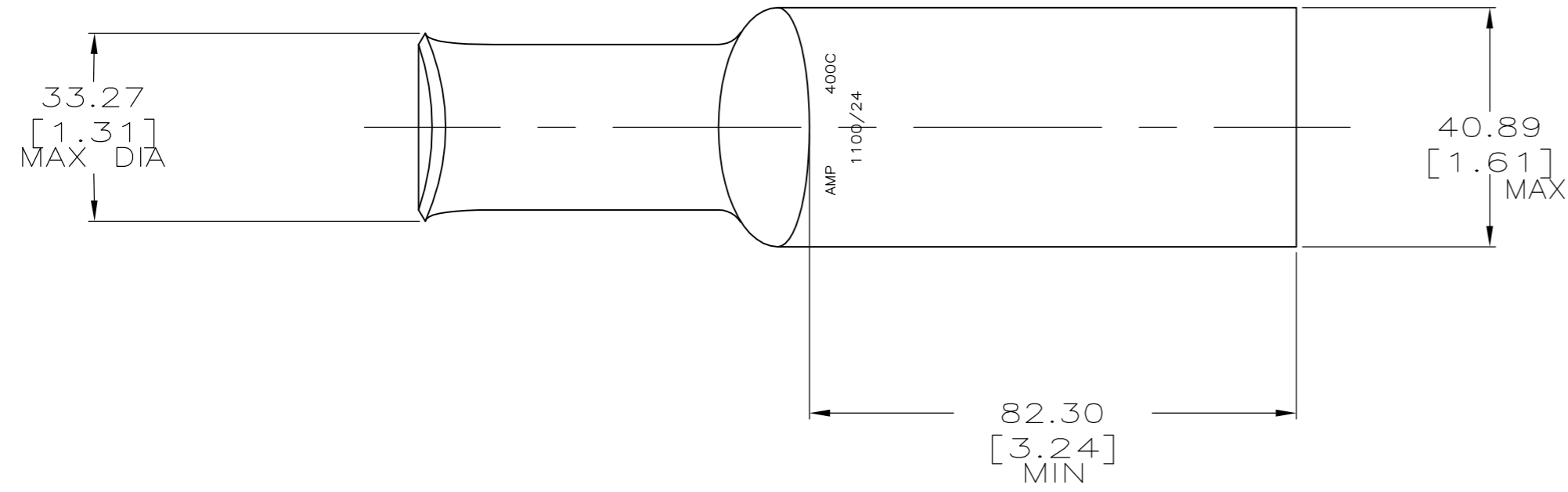


THIS DRAWING IS UNPUBLISHED. RELEASED FOR PUBLICATION
 © COPYRIGHT - By - ALL RIGHTS RESERVED.

REVISIONS				
P	LTR	DESCRIPTION	DATE	APVD
F		REV PER 0G3A-0098-03	05FEB03	JR MS
F1		ECR-16-012841	07SEP2016	KR MV

- 1 CIRCULAR MIL RANGE: 375-450 MCM
- 2 TIN PL 0.00381[.000150] MIN THK PER MIL-T-10727
- 3 CLEANED, UNPLATED



3	326021-2
2	326021
	PART NO.

THIS DRAWING IS A CONTROLLED DOCUMENT.		DWN DK SCHRUM 02/28/90	TE TE Connectivity	
DIMENSIONS: INCHES		CHK MS FEHER 23JAN95		
TOLERANCES UNLESS OTHERWISE SPECIFIED:		APVD MJ SPICER 23JAN95	NAME	
0 PLC ± -	1 PLC ± -	PRODUCT SPEC	TERMINAL, AMPPOWER, WIRE SIZE: 400 MCM	
2 PLC ± 0.51[.020]	3 PLC ± -	APPLICATION SPEC	-	
4 PLC ± -	ANGLES ± -		SIZE	CAGE CODE
MATERIAL ANNEALED COPPER	FINISH -	WEIGHT .485 LB	A2	00779
		CUSTOMER DRAWING	SCALE 1:1	SHEET 1 of 1
			REV F1	

326021

A