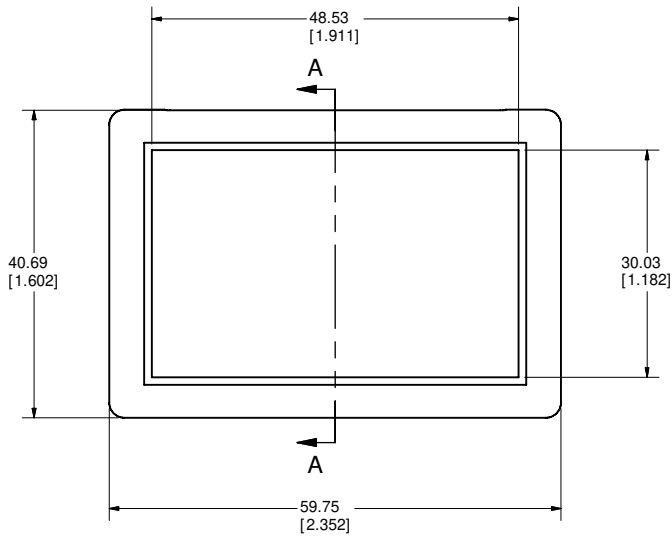
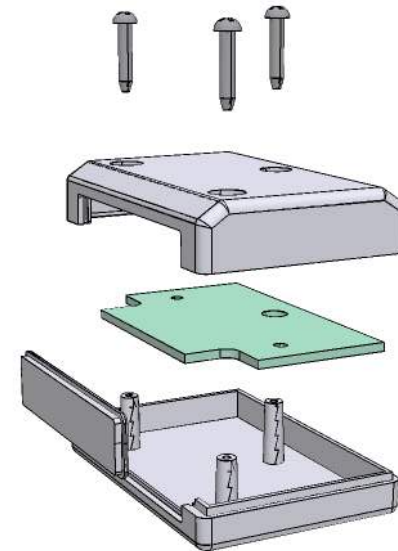
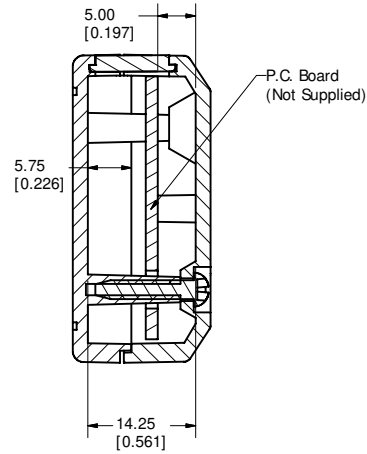


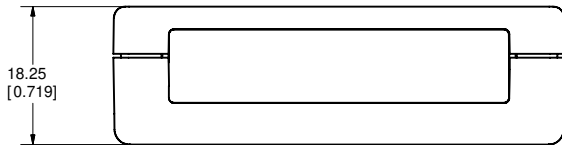
Top View of Assembly



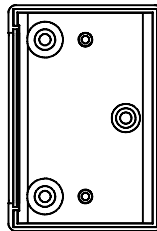
SECTION A-A (Side Inside Assembly)



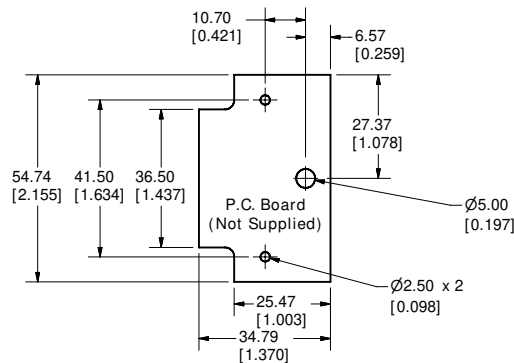
End View of Assembly



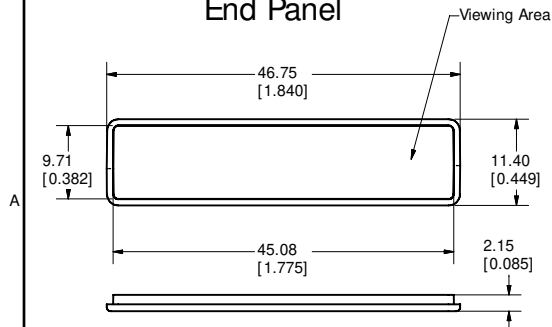
Inside Bottom Cover



Maximum P.C. Board Size



End Panel



NOTE

PART NUMBERS

Clipper Enclosure

Black Enclosure RAL 9018 001100

Grey Enclosure RAL 7035 001111

INCLUDES

#	Description	Material
1	Enclosure	FR ABS-UL94-V0
1	End Panel	FR ABS-UL94-V0
3	Cover Screws #2x1/2 Pan Head	

ACCESSORIES

Black Pocket Clip 001151

Grey Pocket Clip 001152

Infra Red Panel 001153



**HAMMOND
MANUFACTURING™**

Small Clipper Enclosure

www.hammondmfg.com