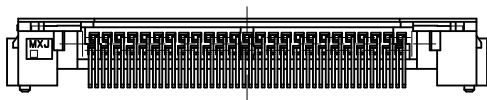


A-A  
SCALE:5-1



53927-**19	53927-5019
MODEL No.	MATERIAL No.

REVISED EC NO: J2014-0889 DRW: NESATO CHKD: ASHIMOTSU APPR: NUKITA	2013/11/21 2013/11/21 2013/11/21	GENERAL TOLERANCES (UNLESS SPECIFIED)		DIMENSION STYLE	SCALE	DESIGN UNITS	THIRD ANGLE PROJECTION  CFA CARD CONN. 50P HEADER ASSY -LEAD FREE-  <b>molex</b> DOCUMENT NO. SD-53927-001 SHEET NO. 1 OF 2
				MM ONLY	2:1	METRIC	
		10 UNDER	±0.2	DRAWN BY	DATE	TITLE	
		10 OVER 30 UNDER	±0.25	T. UENO	2004/05/17		
30 OVER	±0.3	CHECKED BY	DATE				
		M. SASAO	2004/05/17				
		APPROVED BY	DATE				
		M. SASAO	2004/05/17				
		MATERIAL NO.	SEE TABLE				
			THIS DRAWING CONTAINS INFORMATION THAT IS PROPRIETARY TO MOLEX INCORPORATED AND SHOULD NOT BE USED WITHOUT WRITTEN PERMISSION				

NOTES

1. 材質

MATERIAL

ハウジング：ガラス入りLCP UL94V-0  
 HOUSING: LCP G.F. UL94V-0  
 ピン：リン青銅  
 PIN: PHOSPHOR BRONZE  
 ネール：リン青銅  
 NAIL: PHOSPHOR BRONZE

2. メッキ仕様

PLATING

PIN 接点部：パラジウムニッケル下地、金メッキ  
 CONTACT AREA: Au OVER Pd-NI  
 半田付け部：錫メッキ  
 SOLDER TAIL AREA: TIN  
 下地メッキ：ニッケルメッキ  
 UNDERPLATING: NICKEL OVER ALL

NAIL 錫メッキ

TIN  
 下地メッキ：ニッケルメッキ  
 UNDERPLATING: NICKEL OVER ALL

3. 推奨基板厚

RECOMMENDED P.C.B. THICKNESS:  $\pm 0.8$  MIN.

4. 適合カード厚

RECOMMENDED CARD THICKNESS

接続部： $3.3 \pm 0.1$   
 CONNECTING AREA:  $3.3 \pm 0.1$

5. 適合カード幅

RECOMMENDED CARD WIDTH:  $42.8 \pm 0.1$

6. ハウジング色

HOUSING COLOR: WHITE

寸 1, 13, 38, 50

THIS DIMENSION APPLIES TO CIRCUIT NUMBERS 1, 13, 38 AND 50.

寸 25, 26

THIS DIMENSION APPLIES TO CIRCUIT NUMBERS 25 AND 26.

9. ピンの倒れは、ピン根元を基準に全方向へ  $0.1$  MAX. とする。

PIN TIP LEAN TOWARD ANY DIRECTION NOT TO EXCEED  $0.1$  WHEN MEASURED FROM PIN BASE.

10. ピン根元に適用する。

THIS DIMENSION TO BE MEASURED AT PIN BASE.

11. ソルダーテールは、Z面を基準とし上へ  $0.05$  下へ  $0.2$  の範囲にあり、

目付ソルダーテールの平坦度は、 $0.15$  MAX. とし、テール先端にて測定する。

SOLDERTAILS TO BE WITHIN  $0.05$  UPWARD AND  $0.2$  DOWNWARD FROM Z-DATUM PLACE, AND COPLANARITY OF SOLDERTAILS TO BE WITHIN  $0.15$ .

MEASUREMENT POINT IS SOLDERTAILS TIP.

12. 公差非累積

NON-CUMULATIVE

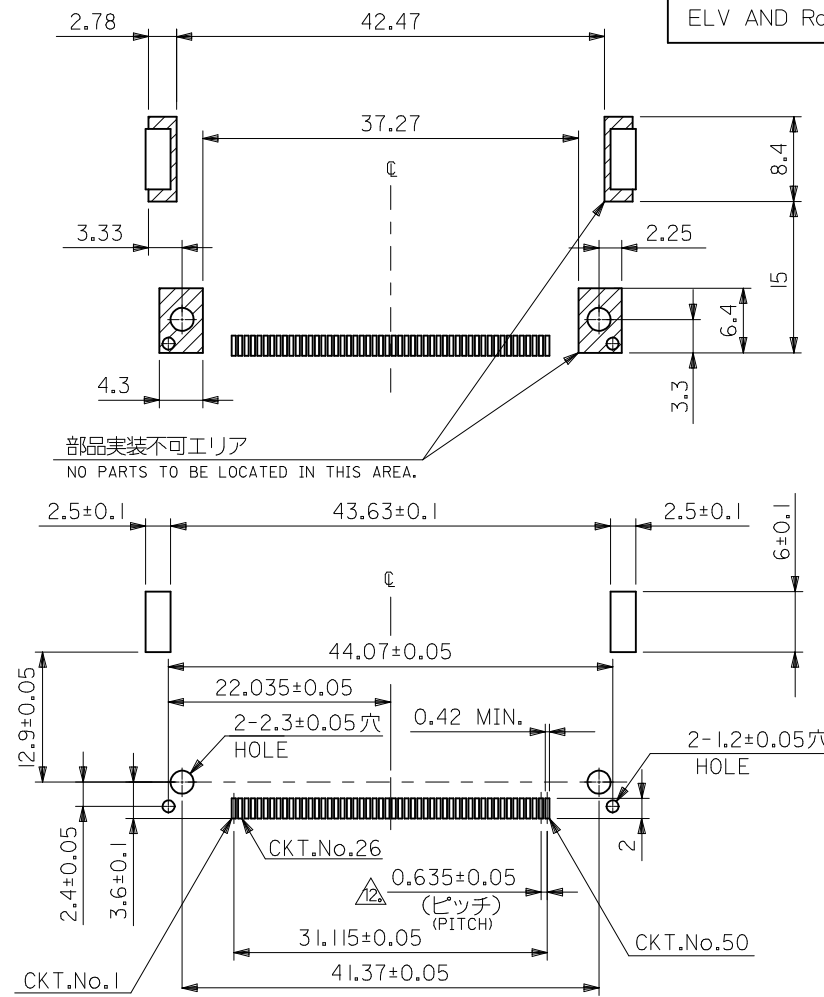
13. 本製品は 53927-\*\*-\*\*10 の鉛フリー一品である。

THIS PRODUCT IS LEAD FREE OF 53927-\*\*-\*\*10.

14. 実装時、ボルトとナットを使用すること。

USE THE BOLT AND THE NUT WHEN YOU MOUNT.

ELV AND RoHS COMPLIANT.



部品実装不可エリア  
 NO PARTS TO BE LOCATED IN THIS AREA.

基板推奨寸法  
 RECOMMENDED P.C.B. LAYOUT

REVISED EC NO: J2014-0889 DRW: NESATO 2013/11/21 CHKD: ASHIMOTSU 2013/11/21 APPR: NUKITA 2013/11/21	GENERAL TOLERANCES (UNLESS SPECIFIED)		DIMENSION STYLE MM ONLY		SCALE 2:1	DESIGN UNITS METRIC	THIRD ANGLE PROJECTION
	10 UNDER	$\pm 0.2$	DRAWN BY T. UENO	DATE 2004/05/17	TITLE CFA CARD CONN. 50P HEADER ASSY -LEAD FREE-		
	10 OVER 30 UNDER	$\pm 0.25$	CHECKED BY M. SASAO	DATE 2004/05/17			
	30 OVER	$\pm 0.3$	APPROVED BY M. SASAO	DATE 2004/05/17			
ANGULAR	$\pm 3^\circ$	MATERIAL NO. SEE SHEET 1		DOCUMENT NO. SD-53927-001	SHEET NO. 2 OF 2		
DRAFT WHERE APPLICABLE MUST REMAIN WITHIN DIMENSIONS		THIS DRAWING CONTAINS INFORMATION THAT IS PROPRIETARY TO MOLEX INCORPORATED AND SHOULD NOT BE USED WITHOUT WRITTEN PERMISSION					