

MATERIALS AND FINISHES

BODY BRASS  
PLATED NICKEL

CENTER CONTACT PHOSPHOR BRONZE  
PLATED GOLD

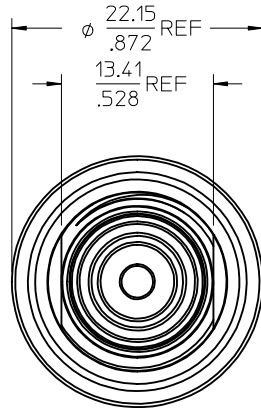
INSULATOR TEFLON

CRIMP FERRULE BRASS  
PLATED NICKEL

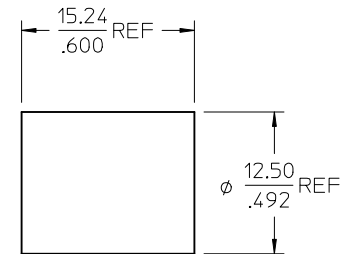
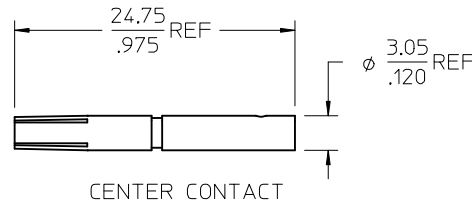
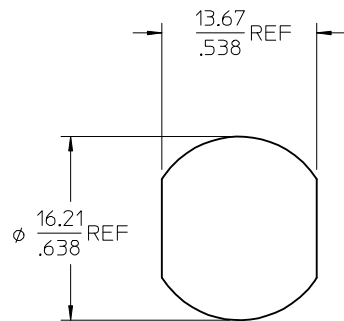
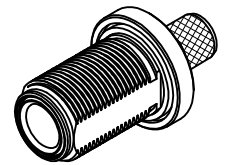
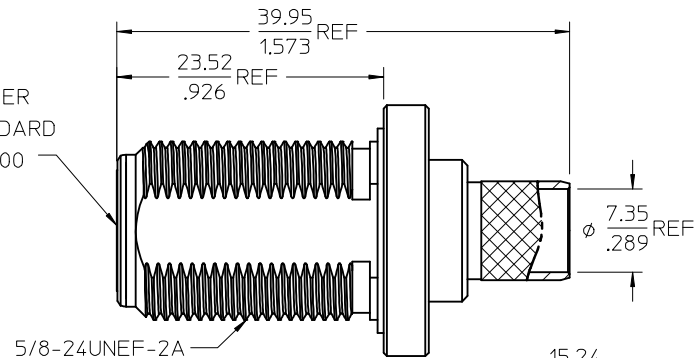
GASKET SILICONE RUBBER

WASHER PHOSPHOR BRONZE  
PLATED NICKEL

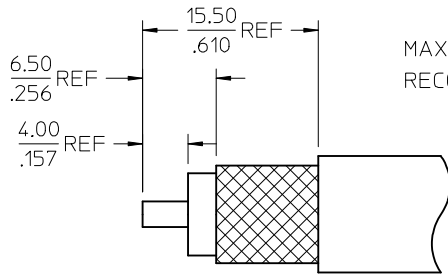
NUT BRASS  
PLATED NICKEL



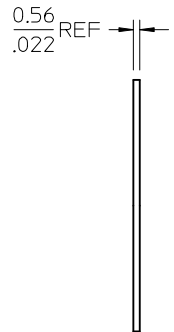
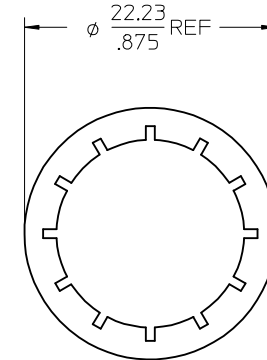
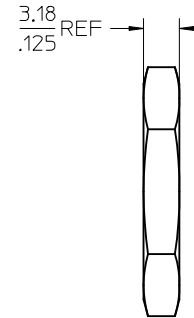
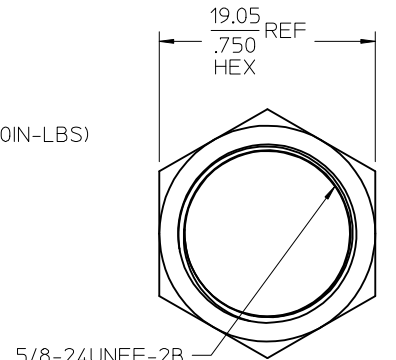
INTERFACE PER  
MOLEX STANDARD  
ES-73599-0000



MAX. PANEL THICKNESS: 6.35(.250)  
RECOMMENDED MOUNTING TORQUE: 2.26N-M(20IN-LBS)



CABLE STRIP DIMENSIONS  
CENTER CONTACT CRIMP (HEX:2.64(.104))  
OUTER CONDUCTOR CRIMP (HEX:10.89(.429))



PS-73598-0033	ELEC/MECH PERFORMANCE
SPECIFICATION	DESCRIPTION

PART # 73100-0039

CHG: REDREW TO CORRECT VIEW LINKING ERRORS	EC NO: URF2006-0006	QUALITY SYMBOLS	GENERAL TOLERANCES (UNLESS SPECIFIED)	DIMENSION STYLE	SCALE	DESIGN UNITS	THIRD ANGLE PROJECTION
	2007/11/15 DRWNS:SHAH	▽=0	mm INCH	MM/IN	METRIC		
2007/11/15 CHKD:SSHAIH	DESCRIPTION	▽=0	4 PLACES ± --- ± ---	DRAWN BY DATE	TITLE		
2007/11/15 APPR: IWENER	REV		3 PLACES ± --- ± ---	R FIELDS 1993/05/26	N JACK, STRAIGHT BULKHEAD FOR RG8, RG213 50 OHMS, N-JC		
	B1		2 PLACES ± --- ± ---	CHECKED BY DATE	MOLEX INCORPORATED		
			1 PLACE ± --- ± ---	R FIELDS 1993/09/09	DOCUMENT NO. SD-73100-0039		
			ANGULAR ± 2 °	APPROVED BY DATE	SHEET NO. 1 OF 1		
			DRAFT WHERE APPLICABLE MUST REMAIN WITHIN DIMENSIONS	KHW 1993/09/20	THIS DRAWING CONTAINS INFORMATION THAT IS PROPRIETARY TO MOLEX INCORPORATED AND SHOULD NOT BE USED WITHOUT WRITTEN PERMISSION		