

## Quick Start Guide

*IP69K-rated radar sensors are designed for use in car washes and other harsh environments*

This guide is designed to help you set up and install the R-GAGE T30RW Sensor. For complete information on programming, performance, troubleshooting, dimensions, and accessories, please refer to the Instruction Manual at [www.bannerengineering.com](http://www.bannerengineering.com). Search for part number 232729 to view the Instruction Manual. Use of this document assumes familiarity with pertinent industry standards and practices.

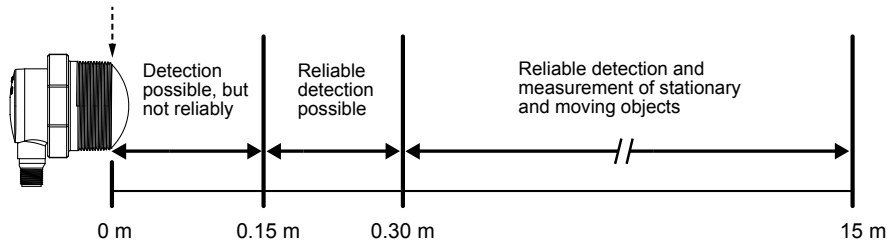
### WARNING:



- **Do not use this device for personnel protection**
- Using this device for personnel protection could result in serious injury or death.
- This device does not include the self-checking redundant circuitry necessary to allow its use in personnel safety applications. A device failure or malfunction can cause either an energized (on) or de-energized (off) output condition.

## T30RW Overview

### Sensing Range



Model	D0 (m)	D1 (m)	D2 (m)	D3 (m)
T30RW-1515 Models	0	0.15	0.20	15

## T30RW Features and Indicators

	LED	Color	Description	
	1	Power	Green	Power ON
	2	Signal Strength	Red	Flashes in proportion to the signal strength
	3	Output 1	Amber	Target is within the taught analog span or discrete output status
	4	Output 2	Amber	Discrete output status

## Radar Configuration Software



Use Banner's Radar Configuration Software to:

- Set up the sensor 3 easy steps: set the switch point distance, signal strength threshold, and response time
- Easily monitor device status via the software
- Visualize the application in real-time
- Make adjustments to sensor settings on the fly

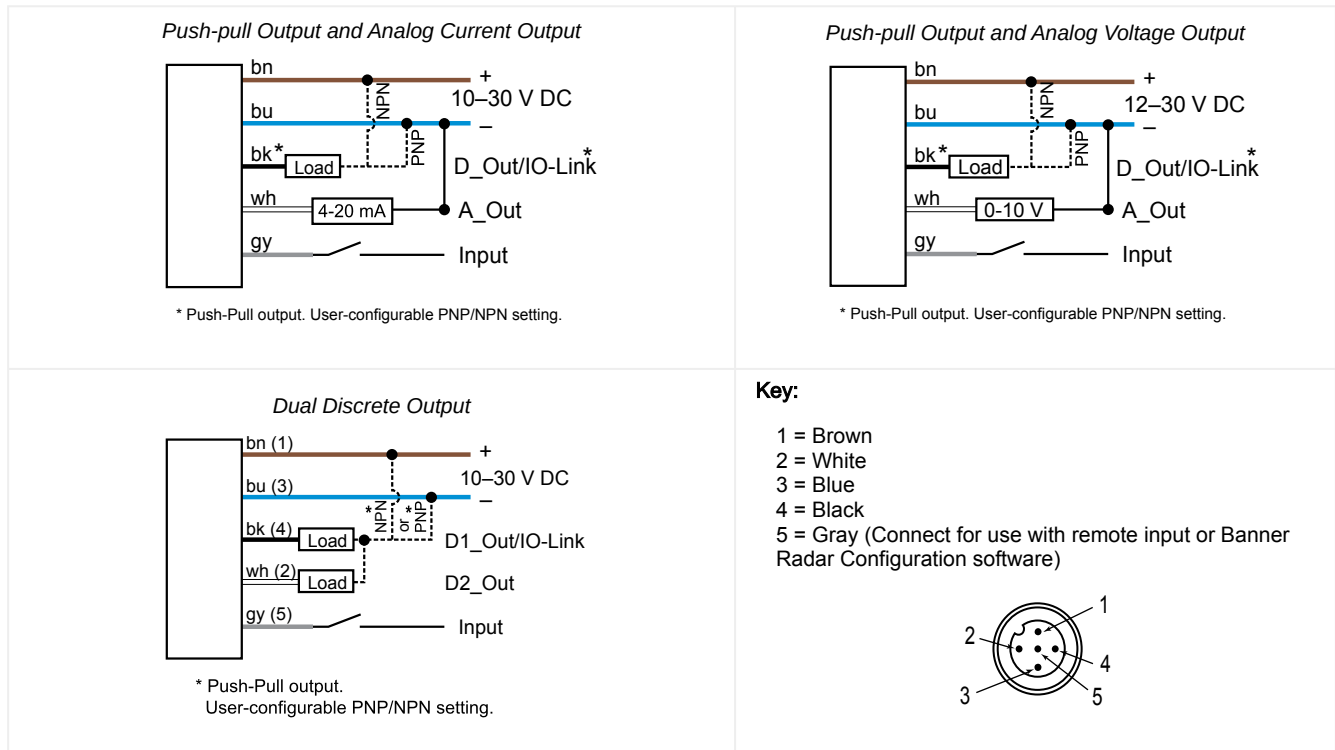
For more information, visit [www.bannerengineering.com/us/en/products/sensors/software/radar-configuration.html](http://www.bannerengineering.com/us/en/products/sensors/software/radar-configuration.html).



## Installation Instructions

### T30R Wiring

Quick disconnect wiring diagrams are functionally identical.



### Mount the Device Using the Threaded Barrel

1. If your device came with a lock washer, place the lock washer on the barrel of the device.
2. Insert the barrel of the device through a hole or a bracket.
  - If desired and available, insert the device through an appropriately sized hole in the machine or equipment at the desired location.
  - If a bracket is needed, insert the device into the bracket.
3. Thread the mounting nut onto the barrel of the device, finger tight.
4. If using a bracket, mount the device and the bracket to the machine or equipment at the desired location. Do not tighten the mounting screws at this time.
5. Check the device alignment, aiming it near parallel to, or down towards, the ground.
 

If aiming at a target, alignment and signal strength can be checked via the red Signal Strength LED or the Banner Radar Configuration Software.
6. Tighten the nut.
7. If using a bracket, tighten the mounting screws to secure the device and the bracket in the aligned position.

### Getting Started

Power up the sensor, and verify that the power LED is ON green.

### Install the Software

#### Operating System

Microsoft® Windows® operating system version 10 or 11<sup>(1)</sup>

#### Hard Drive Space

500 MB

<sup>(1)</sup> Microsoft and Windows are registered trademarks of Microsoft Corporation in the United States and/or other countries.

#### Third-Party Software

.NET

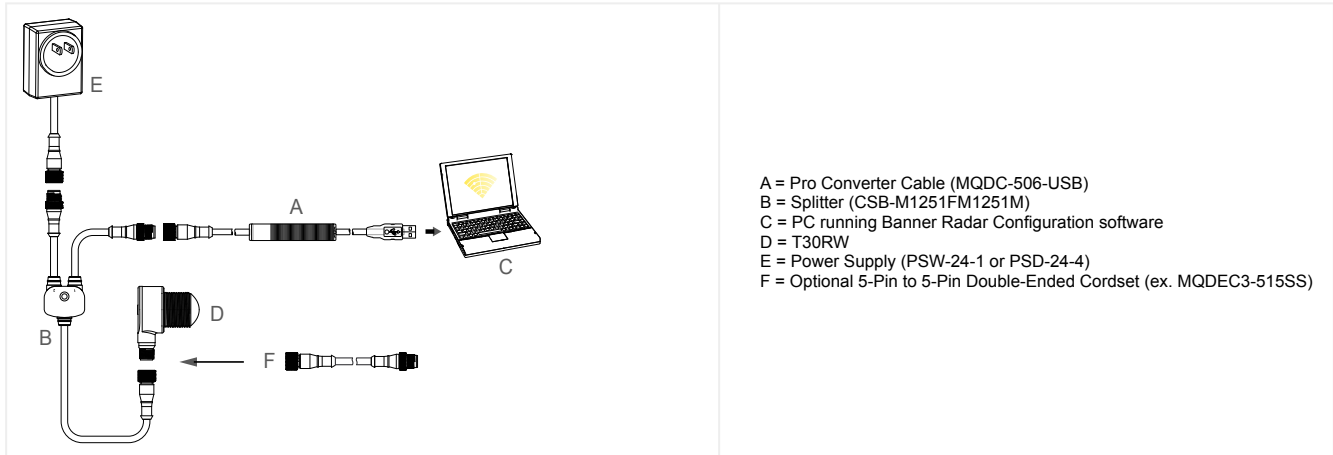
#### USB Port

Available USB port

**IMPORTANT:** Administrative rights are required to install the Banner Radar Configuration software.

1. Download the latest version of the software from [www.bannerengineering.com/us/en/products/sensors/software/radar-configuration.html](http://www.bannerengineering.com/us/en/products/sensors/software/radar-configuration.html).
2. Navigate to and open the downloaded file.
3. Click **Install** to begin the installation process.
4. Depending on your system settings, a popup window may appear prompting to allow Banner Radar Configuration to make changes to your computer. Click **Yes**.
5. Click **Close** to exit the installer.
6. See the Instruction Manual for instructions on using the Banner Radar Configuration software.

## Connect to the Sensor



1. Connect the sensor to the splitter cable from the PRO-KIT.
2. Connect the external power and Pro Converter cable to the splitter cable.
3. Connect the Pro Converter cable to the PC.
4. Open the Banner Radar Configuration Software.
5. Go to **Sensor > Connect** on the **Navigation** toolbar.  
The **Connection** screen displays.
6. Select the correct **Sensor Model** and **Com Port** for the sensor.
7. Click **Connect**.  
The **Connection** screen closes and the sensor data displays.

## T30RW Specifications

### Range

The sensor can detect an object at the following ranges, depending on the material of the target:

T30RW-1515 models:

Detection Range: 0.15 m to 15 m (0.5 ft to 49.2 ft)

Measurement Range: 0.2 m to 15 m (0.7 ft to 49.2 ft)

### Operating Principle

Frequency modulated continuous-wave (FMCW) radar

### Operating Frequency

122 GHz

### Frequency Range

T30RW-1515: 122 GHz to 123 GHz

### Supply Voltage (Vcc)

**Analog Voltage models:** 12 V DC to 30 V DC

**Analog Current and Dual Discrete models:** 10 V DC to 30 V DC

Use only with a suitable Class 2 power supply (UL) or Limited Power Supply (CE)

### Power and Current Consumption, exclusive of load

**Power consumption:** < 2.4 W

**Current consumption:** < 100 mA at 24 V DC

### Supply Protection Circuitry

Protected against reverse polarity and transient overvoltages

### Linearity<sup>(1)</sup>

T30RW-1515:

<± 20 mm at < 500 mm

<± 4 mm at > 500 mm

### Delay at Power-up

< 300 ms

### Maximum Torque

2.3 N·m (20 in-lbs)

### Repeatability<sup>(2)</sup>

< 1 mm

### Maximum Output Power

EIRP: 100 mW, 20 dBm

### Output Protection

Protected against output short-circuit

### Remote Input

Allowable Input Voltage Range: 0 to Vsupply

Active High (internal weak pull-down): High state > (Vsupply - 2.25 V) at 2 mA maximum

Active Low (internal weak pull-up): Low state < 2.25 V at 2 mA maximum

<sup>(1)</sup> Reference target with RCS = 1m<sup>2</sup>.

<sup>(2)</sup> Repeatability < 10 mm at Excess Gain < 10×

**Response Time**

Analog update rate: 2 ms  
 Discrete output response: 6 ms  
 Speeds given for fast mode. See the Instruction Manual for additional details.

**Indicators**

**Power LED:** Green, power on  
**Signal Strength LED:**  
 Red Flash: weak signal  
 Red Solid: 4x threshold  
**Output LEDs:** Amber, target within taught analog span/  
 discrete output status

**Construction**

**Housing:** PBT  
**Barrel Cover:** Polypropylene

**Output Configuration**

Analog Outputs:  
 • **Current models**  
 Discrete Output (Black Wire): IO-Link, push/pull output, configurable PNP or NPN output  
 Analog output (White Wire): 4 mA to 20 mA  
 • **Voltage models**  
 Discrete Output (Black Wire): IO-Link, push/pull output, configurable PNP or NPN output  
 Analog output (White Wire): Configurable 0 V to 10 V or 0.5 V to 4.5 V  
 • **Dual Discrete models**  
 Discrete Output 1 (Black Wire): IO-Link, push/pull output, configurable PNP or NPN output  
 Discrete Output 2 (White Wire): Configurable PNP or NPN, or Pulse Frequency Modulated (PFM) output

**Connections**

Integral M12 quick disconnect  
 Models with a quick disconnect require a mating cordset

**Vibration and Mechanical Shock**

All models meet MIL-STD-202F, Method 201A (Vibration: 10 Hz to 60 Hz maximum, 0.06 inch (1.52 mm) double amplitude, 10G acceleration) requirements. Method 213B conditions H&I.Shock: 75G with device operating; 100G for non-operation

**Operating Temperature**

-40 °C to +65 °C (-40 °F to +149 °F)

**Temperature Effect**

< ± 10 mm from -40 °C to +65 °C (-40 °F to +149 °F)

**Environmental Rating**

IP67 per IEC60529  
 IEC IP69K per BS/ISO 20653:2013

**Output Ratings**

Analog Outputs:  
 • **Current Output (T30R....-I.. models):** 1 kΩ maximum load resistance at 24 V; maximum load resistance =  $[(V_{cc} - 4.5)/0.02 \Omega]$   
 • **Voltage Output (T30R....-U.. models):** 2.5 kΩ minimum load resistance  
 Discrete Outputs:  
 • **Current rating = 50 mA maximum each**

Black wire specifications per configuration		
IO-Link Push/Pull	Output High	≥ Vsupply - 2.5 V
	Output Low	≤ 2.5V
PNP	Output High	≥ Vsupply - 2.5 V
	Output Low	≤ 1V (loads ≤ 1 MegΩ)
NPN	Output High	≥ Vsupply - 2.5 V
	Output Low	≤ 2.5 V

White wire specifications per configuration		
PNP	Output High	≥ Vsupply - 2.5 V
	Output Low	≤ 2.5 V (loads ≤ 70 kΩ)
NPN	Output High	≥ Vsupply - 2.5 V
	Output Low	≤ 2.5 V

**Advanced Capabilities**



Available only in dual discrete models

**Certifications**

	IND. CONT. EQ. E224071 LISTED UL Environmental Rating: Type 1		
	Banner Engineering BV Park Lane, Culliganlaan 2F bus 3, 1831 Diegem, BELGIUM		
	Turck Banner LTD Blenheim House, Blenheim Court, Wickford, Essex SS11 8YT, Great Britain		

ETSI EN 305 550-1 V.1.2.1  
 ETSI EN 305 550-2 V.1.2.1  
 FCC ID: UE3-T30R  
 IC: ID 7044A-T30R  
 for others, contact Banner Engineering  
 Country of Origin: USA  
 Operation of the T30RW sensor on board an aircraft or a satellite shall be prohibited.

## FCC Part 15 Class A

This equipment has been tested and found to comply with the limits for a Class A digital device, pursuant to part 15 of the FCC Rules. These limits are designed to provide reasonable protection against harmful interference when the equipment is operated in a commercial environment. This equipment generates, uses, and can radiate radio frequency energy and, if not installed and used in accordance with the instruction manual, may cause harmful interference to radio communications. Operation of this equipment in a residential area is likely to cause harmful interference in which case the user will be required to correct the interference at his own expense.

## Industry Canada Statement for Intentional Radiators

This device contains licence-exempt transmitters(s)/receiver(s) that comply with Innovation, Science and Economic Development Canada's licence-exempt RSS(s). Operation is subject to the following two conditions:

1. This device may not cause interference.
2. This device must accept any interference, including interference that may cause undesired operation of the device.

Cet appareil contient des émetteurs/récepteurs exemptés de licence conformes à la norme Innovation, Sciences, et Développement économique Canada. L'exploitation est autorisée aux deux conditions suivantes:

1. L'appareil ne doit pas produire de brouillage.
2. L'utilisateur de l'appareil doit accepter tout brouillage radioélectrique subi, même si le brouillage est susceptible d'en compromettre le fonctionnement.

## Banner Engineering Corp. Limited Warranty

Banner Engineering Corp. warrants its products to be free from defects in material and workmanship for one year following the date of shipment. Banner Engineering Corp. will repair or replace, free of charge, any product of its manufacture which, at the time it is returned to the factory, is found to have been defective during the warranty period. This warranty does not cover damage or liability for misuse, abuse, or the improper application or installation of the Banner product.

**THIS LIMITED WARRANTY IS EXCLUSIVE AND IN LIEU OF ALL OTHER WARRANTIES WHETHER EXPRESS OR IMPLIED (INCLUDING, WITHOUT LIMITATION, ANY WARRANTY OF MERCHANTABILITY OR FITNESS FOR A PARTICULAR PURPOSE), AND WHETHER ARISING UNDER COURSE OF PERFORMANCE, COURSE OF DEALING OR TRADE USAGE.**

This Warranty is exclusive and limited to repair or, at the discretion of Banner Engineering Corp., replacement. **IN NO EVENT SHALL BANNER ENGINEERING CORP. BE LIABLE TO BUYER OR ANY OTHER PERSON OR ENTITY FOR ANY EXTRA COSTS, EXPENSES, LOSSES, LOSS OF PROFITS, OR ANY INCIDENTAL, CONSEQUENTIAL OR SPECIAL DAMAGES RESULTING FROM ANY PRODUCT DEFECT OR FROM THE USE OR INABILITY TO USE THE PRODUCT, WHETHER ARISING IN CONTRACT OR WARRANTY, STATUTE, TORT, STRICT LIABILITY, NEGLIGENCE, OR OTHERWISE.**

Banner Engineering Corp. reserves the right to change, modify or improve the design of the product without assuming any obligations or liabilities relating to any product previously manufactured by Banner Engineering Corp. Any misuse, abuse, or improper application or installation of this product or use of the product for personal protection applications when the product is identified as not intended for such purposes will void the product warranty. Any modifications to this product without prior express approval by Banner Engineering Corp will void the product warranties. All specifications published in this document are subject to change; Banner reserves the right to modify product specifications or update documentation at any time. Specifications and product information in English supersede that which is provided in any other language. For the most recent version of any documentation, refer to: [www.bannerengineering.com](http://www.bannerengineering.com).

For patent information, see [www.bannerengineering.com/patents](http://www.bannerengineering.com/patents).

## Banner Engineering Corp. Software Copyright Notice

© Banner Engineering Corp., All Rights Reserved.

<https://www.bannerengineering.com/us/en/company/terms-and-conditions.html>

**Disclaimer of Warranties.** This software is provided "AS-IS." To the maximum extent permitted by applicable law, Banner, its affiliates, and its channel partners disclaim all warranties, expressed or implied, including any warranty that the software is fit for a particular purpose, title, merchantability, data loss, non-interference with or non-infringement of any intellectual property rights, or the accuracy, reliability, quality or content in or linked to the services. Banner and its affiliates and channel partners do not warrant that the services are secure, free from bugs, viruses, interruption, errors, theft or destruction. If the exclusions for implied warranties do not apply to you, any implied warranties are limited to 60 days from the date of first use of this software.

**Limitation of Liability and Indemnity.** Banner, its affiliates and channel partners are not liable for indirect, special, incidental, punitive or consequential damages, damages relating to corruption, security, loss or theft of data, viruses, spyware, loss of business, revenue, profits, or investment, or use of software or hardware that does not meet Banner minimum systems requirements. The above limitations apply even if Banner and its affiliates and channel partners have been advised of the possibility of such damages. This Agreement sets forth the entire liability of Banner, its affiliates and your exclusive remedy with respect to the software use.