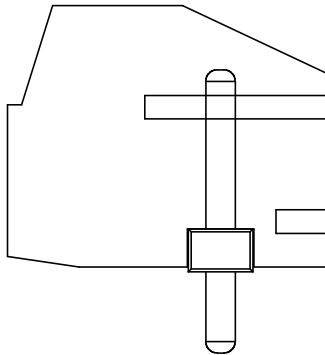
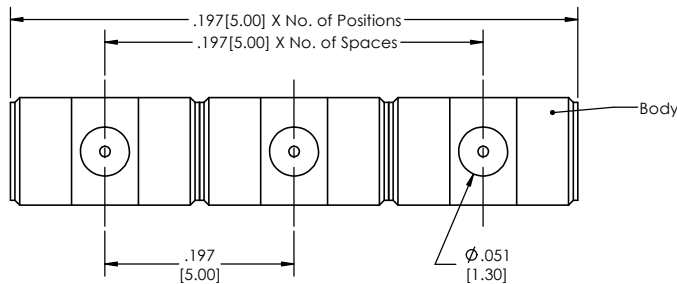
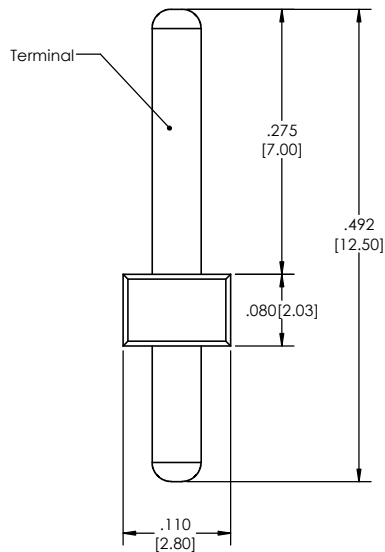
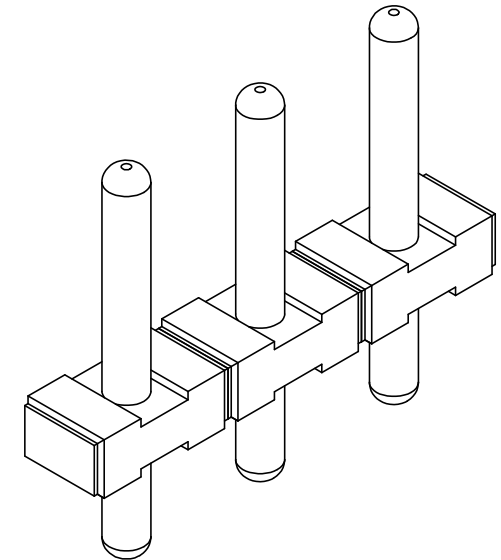
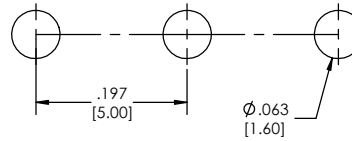


APPLICATION
SCALE 6:1



Recommended P.C. Board Layout
SCALE 8:1



TBWH - 11 - **197** - **XX** - **BK** - **LF**
(A) (B) (C) (D)

- A. Pitch - 197 = .197(5.00) cl
- B. No. of Positions - 02-24
- C. Color - BK= Black
- D. Lead Free

Mates With:
TBW-11-197-XX-XX-LF

Specifications:
Current Rating: 10 Ampere
Voltage Rating: AC 250V
Insulation Resistance: DC 500V 1000M ohms
Dielectric Withstanding Voltage: AC 2000V/1 minute
Operation Temperature: -33°C to +105°C

- Materials:
1. Body: PA66 (Nylon), UL94 V-0
 2. Terminal: M2.0, Brass, Tin Plated

Tails may be clipped to achieve specific dimensions.
Products cut to specific sizes are uncancellable/ nonreturnable.
Parts are subject to change without notice.



PROPRIETARY AND CONFIDENTIAL
THE INFORMATION CONTAINED IN THIS DRAWING IS THE SOLE PROPERTY OF Major League Electronics. ANY REPRODUCTION IN PART OR AS A WHOLE WITHOUT THE WRITTEN PERMISSION OF Major League Electronics IS PROHIBITED.

UNLESS OTHERWISE SPECIFIED:		NAME		DATE		
DIMENSIONS ARE IN INCHES		DRAWN	EOW	04/16/14		
TOLERANCES:		CHECKED	GWE	04/16/14		
ONE DECIMALS ±.100		ENG APPR.				
TWO DECIMAL ±.010		MFG APPR.				ADDRESS: 2533 Centennial Blvd. Jeffersonville, In 47130 Phone: 812-670-4174 Fax: 812-670-4175 E-Mail: mle@mlelectronics.com
THREE DECIMAL ±.005		INTERPRET GEOMETRIC TOLERANCING PER:		TITLE: TBWH-11-197 Series		
FOUR DECIMAL ±.002		MATERIAL		SIZE DWG. NO.		REV
NEXT ASSY	USED ON	FINISH		C		A
APPLICATION		DO NOT SCALE DRAWING		SCALE 10:1		SHEET 1 OF 1