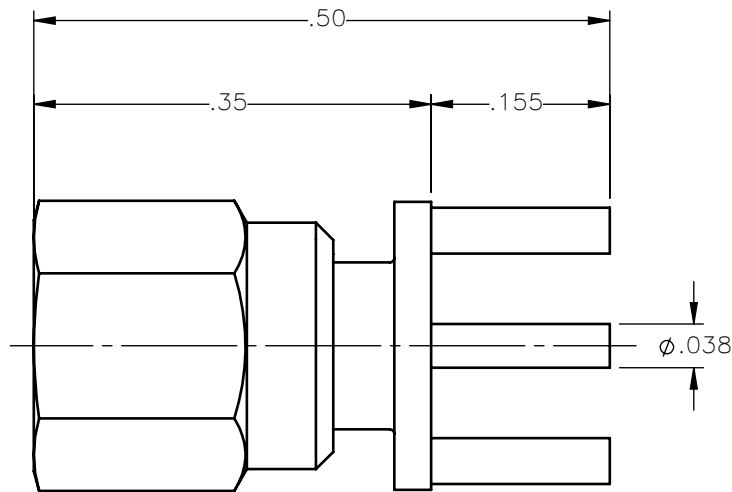
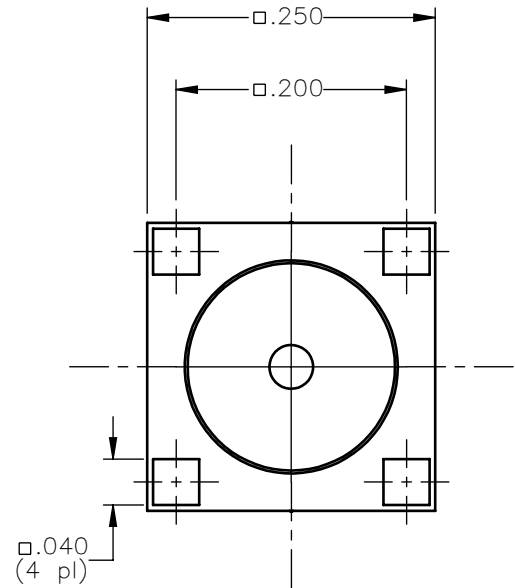


REVISIONS			
REV.	DESCRIPTION	DATE	APPROVED
A	INITIAL RELEASE	03/26/18	C.E.



.219 HEX





NOTES:

MATERIALS:

1. BODY & COUPLING NUT = BRASS PER ASTM B16, ALLOY C36000, TEMPER H02.
2. INSULATOR = VIRGIN WHITE TEFLON PER ASTM D1710, GRADE 1, TYPE I, CLASS "B".
3. CONTACT = BERYLLIUM COPPER PER ASTM B196, ALLOY C17300, TEMPER TD04.

FINISHES:

1. BODY & COUPLING NUT = GOLD PLATE PER ASTM B488-11, TYPE II, 30μin MIN, GRADE C OVER 100 TO 200μin COPPER STRIKE PER AMS 2418.
2. CONTACT = GOLD PLATE PER ASTM B488-11, TYPE II, 50μin MIN, GRADE C, OVER 100 TO 200μin STRESS FREE SULFAMATE NICKEL PER AMS-QQ-N-290.

UNLESS OTHERWISE SPECIFIED DIMENSIONS ARE IN INCHES TOLERANCES ON	DWN: C.E.	DATE 03/26/18	 Property of Radiall This document cannot be reproduced or communicated to a third party without prior written permission of RADIALL.			
	CHKD: D.N.	DATE 03/26/18				
DECIMAL	ANGLE	APVD: J.M.	SMC STRAIGHT FEMALE PLUG P.C.B. MOUNT RECEPTACLE			
		DATE 03/26/18				
REFERENCE:	MATERIALS & FINISHES:		SIZE A	FSCM NO. 19505	DWG NO. 1025-1511-000	REV A
ORIGINATED: C.E. DATE: 03/26/18	SEE NOTES		SCALE 6:1	THIRD ANGLE PROJECTION		SHEET 1 OF 1