

4

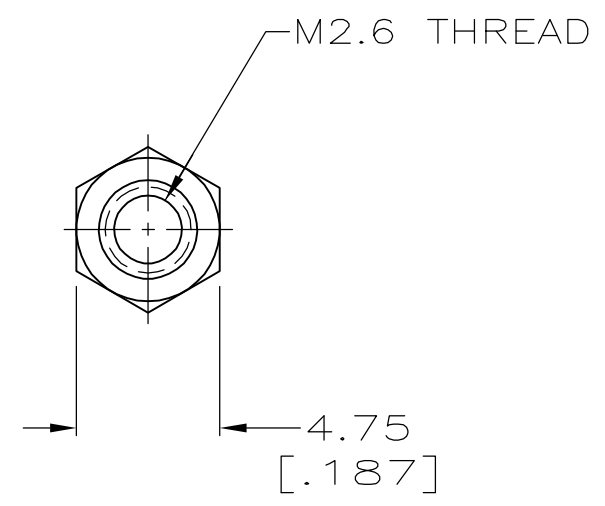
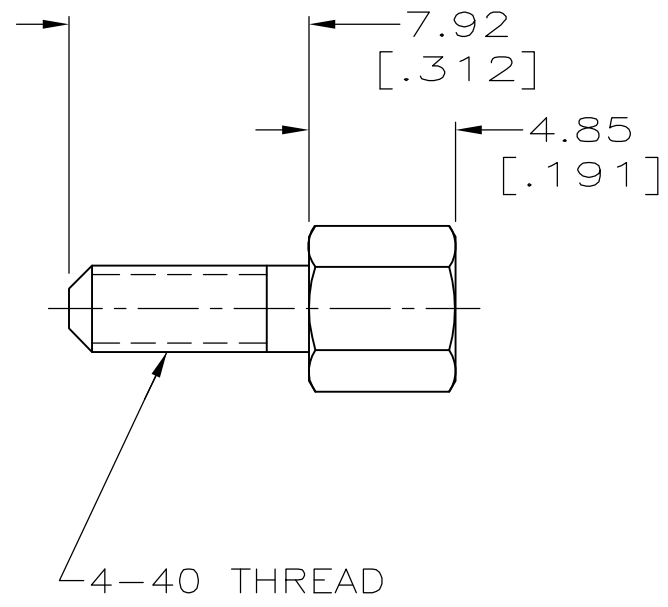
3

2

1

THIS DRAWING IS UNPUBLISHED. RELEASED FOR PUBLICATION
 © COPYRIGHT - BY TYCO ELECTRONICS CORPORATION. ALL RIGHTS RESERVED.

LOC	DIST	REVISIONS					
GP	00	P	LTR	DESCRIPTION	DATE	DWN	APVD
			0	RELEASED PER EC OS13-0207-05	30JUN05	RR	JG



1 ZINC PLATED .000200-.000400 THICK,
 CLEAR CHROMATE COATING.

5749765-3
 PART NO

THIS DRAWING IS A CONTROLLED DOCUMENT.		DWN	R.RICHARDSON	30JUN05	Tyco Electronics Corporation Harrisburg, Pa 17105-3608		
DIMENSIONS: INCHES		CHK	C.ROHDE	30JUUN05			
TOLERANCES UNLESS OTHERWISE SPECIFIED: 2' 0 PLC ± - 1 PLC ± - 2 PLC ± 0.13 [.005] 3 PLC ± - 4 PLC ± - ANGLES ± -		APVD	M.WALMSLEY	30JUN05	NAME		
		PRODUCT SPEC		SCREWLOCK, M2.6 FEMALE, AMPLIMITE			
MATERIAL		APPLICATION SPEC		SIZE			RESTRICTED TO
CARBON STEEL		FINISH		CAGE CODE		DRAWING NO	
1		WEIGHT		A300779		C-5749765	
CUSTOMER DRAWING				SCALE		SHEET	REV
				4:1		1 OF 1	0