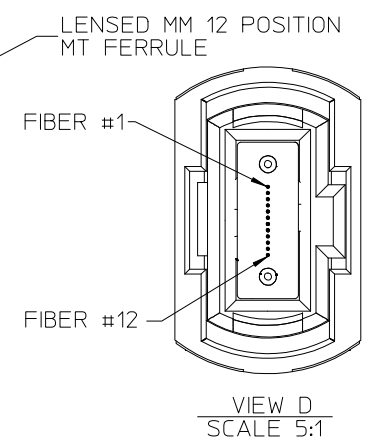
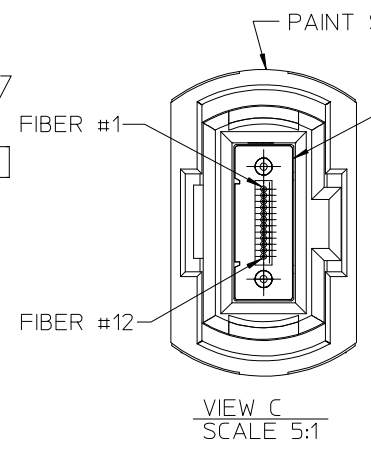
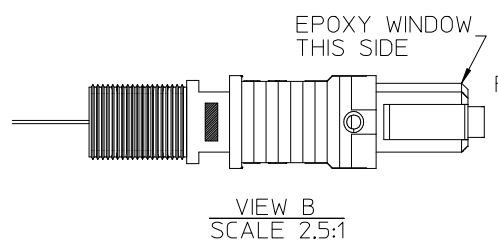
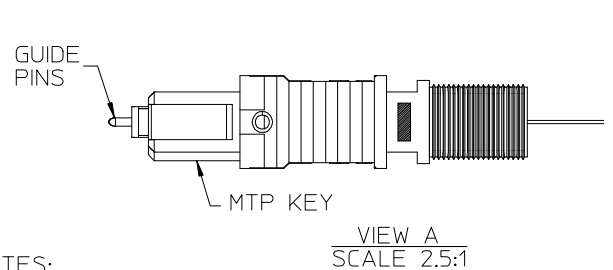
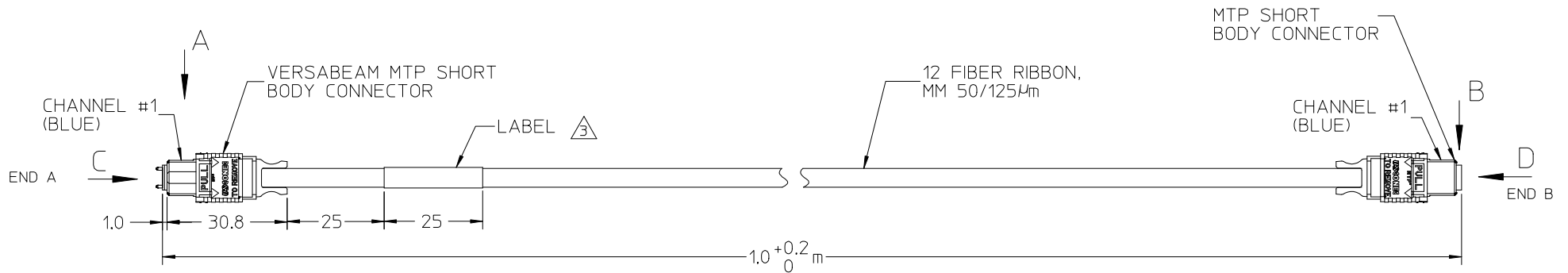


	10	9	8	7	6	5	4	3	2
	MOLEX P/N	END A COOECTOR TYPE	END B COOECTOR TYPE						
F	106268-0002	MALE	FEMALE						
	106268-0003	FEMALE	FEMALE						



- NOTES:
1. DUST CAPS ARE NOT SHOWN BUT INCLUDED.
  2. CONNECTOR SPECIFICATIONS:  
 -MAXIMUM INSERTION LOSS @ 850nm PER CONNECTOR/CHANNEL:  
 MTP LENSED- 1.0dB;  
 MTP- 0.5dB.  
 - TEMPERATURE RANGE:  
 -5°C TO +60°C.
  3. LABEL IS PRINTED WITH MOLEX NAME, PART NUMBER AND SERIAL NUMBER.  
 TEST DATA IS SENT WITH EACH SHIPMENT.
  4. THE VERSABEAM MT INTERFACE UTILIZES A LENS WITH A COLLIMATED BEAM AND CAN ONLY BE MATED TO ANOTHER VERSABEAM MT WITH A COLLIMATING LENS.

ENTER DESCRIPTION EC NO: MF2014-0155 DRWN: LGUMIN 2013/09/16 CHKD: LGUMIN 2013/09/17 APPR: LGUMIN 2013/09/17	QUALITY SYMBOLS	GENERAL TOLERANCES (UNLESS SPECIFIED)	DIMENSION STYLE	SCALE	DESIGN UNITS	THIRD ANGLE PROJECTION	
	▽=0 ▽7=0	mm INCH	MM ONLY	1:1	INCH		
		4 PLACES ± --- ± --- 3 PLACES ± --- ± --- 2 PLACES ± --- ± --- 1 PLACE ± --- ± --- 0 PLACE ± ±	DRAWN BY DATE YBEDNYAK 2010/10/12 CHECKED BY DATE	TITLE	12F VB MTP TO MTP SHORT BODY JUMPER, MM 50/125UM		
		ANGULAR ±1/2° DRAFT WHERE APPLICABLE MUST REMAIN WITHIN DIMENSIONS	APPROVED BY DATE 2010/10/12	MATERIAL NO. SEE TABLE	DOCUMENT NO. SD-106268-0002	SHEET NO. 1 OF 1	
THIS DRAWING CONTAINS INFORMATION THAT IS PROPRIETARY TO MOLEX INCORPORATED AND SHOULD NOT BE USED WITHOUT WRITTEN PERMISSION							