

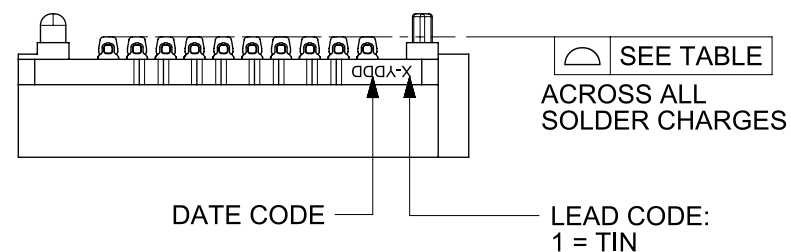
10 ROW  
10 POSITION  
SHOWN

SEE SHEET 3 FOR  
8 ROW GEOMETRY &  
SEE SHEET 4 FOR  
6 ROW GEOMETRY

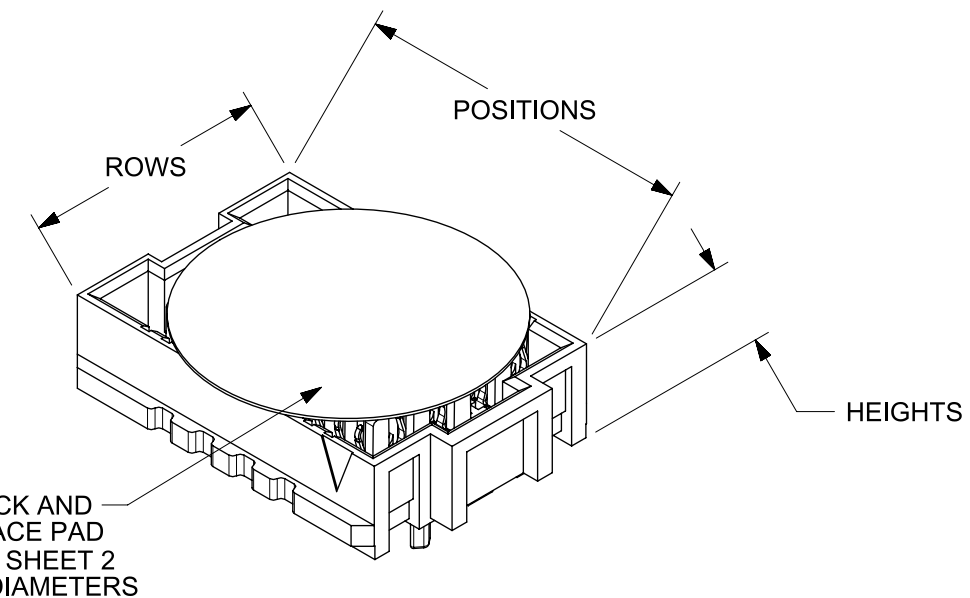
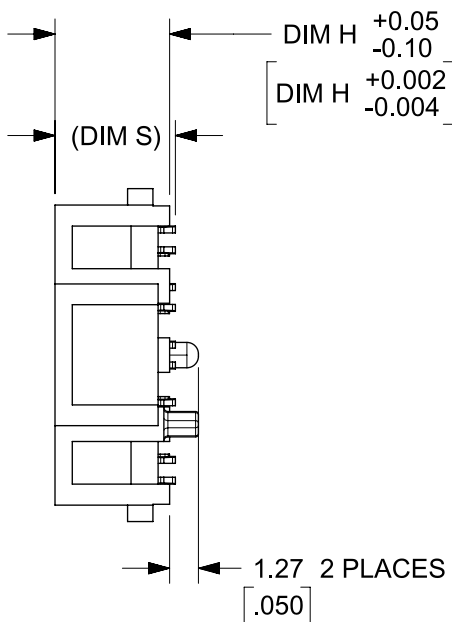
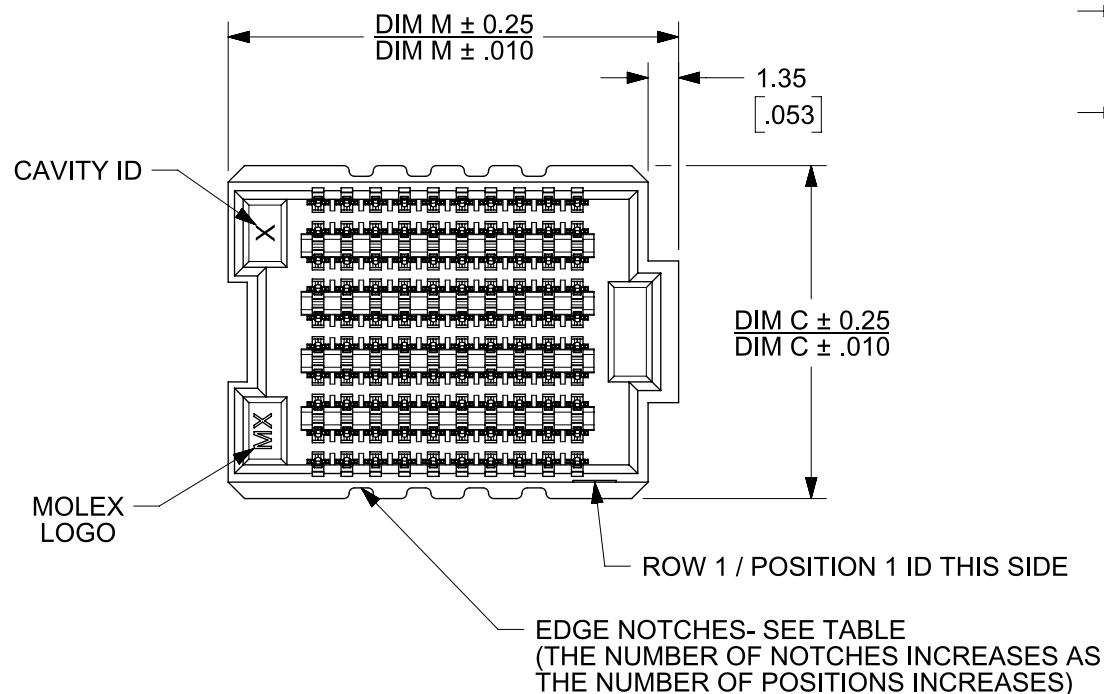
NOTES:

1. MATERIAL: HOUSING: GLASS FILLED LCP (LIQUID CRYSTAL POLYMER), UL94V-0, BLACK  
CONTACTS: COPPER ALLOY  
SOLDER CHARGE: 95.5% TIN, 3.8% SILVER, 0.7% COPPER
2. FINISH: SELECT GOLD IN CONTACT AREA, 30 MICROINCH MINIMUM  
SELECT TIN ON TAIL, 50 MICROINCH MINIMUM  
OVERALL NICKEL UNDERPLATE
3. PRODUCT SPECIFICATION: PS-45970-001
4. PACKAGING SPECIFICATION: PK-45971-002 (TAPE AND REEL)
5. MATES WITH SEARAY PLUG ASSEMBLY SERIES 45970
6. APPLICATION SPECIFICATION: AS-45970-001
7. COSMETIC SPECIFICATION: PS-45499-002 CLASS B
8. PART STATUS: CONTACT MOLEX

POSITIONS	TOTAL NUMBER OF EDGE NOTCHES	
10	8	0.15/.006
15	14	
20	18	
25	24	
30	28	
35	34	0.23/.009
40	38	
45	44	
50	48	

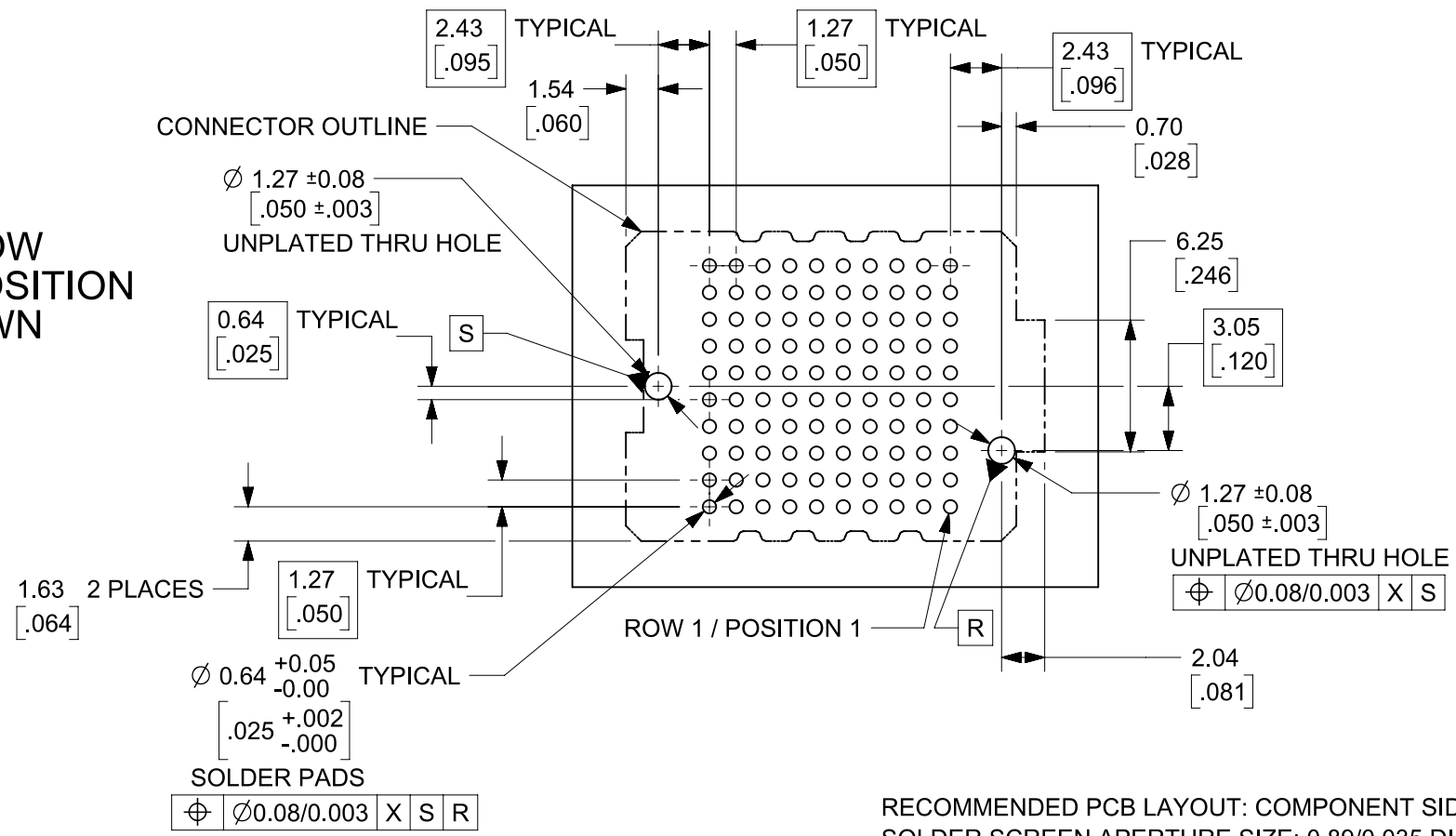


NOTE: THESE CODES MAY BE LOCATED ON EITHER SIDE OF THE HOUSING



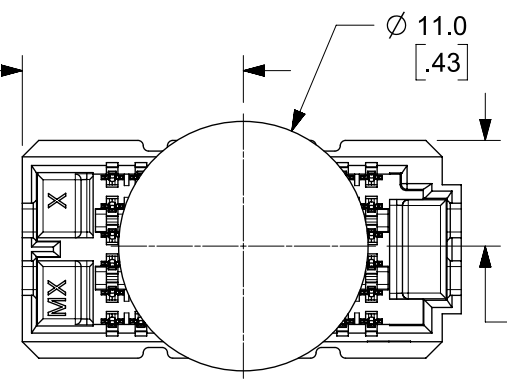
THIS DRAWING CONTAINS INFORMATION THAT IS PROPRIETARY TO MOLEX ELECTRONIC TECHNOLOGIES, LLC AND SHOULD NOT BE USED WITHOUT WRITTEN PERMISSION									
DIMENSION UNITS: MM/IN		SCALE: 3:1		CURRENT REV DESC:				<b>molex</b>	
GENERAL TOLERANCES (UNLESS SPECIFIED)		ANGULAR TOL ± °		EC NO: 712067 DRWN: CLHOE01 CHK'D: HCGOH APPR: SHONG					
4 PLACES ±		3 PLACES ±		2 PLACES ± 0.25		1 PLACE ± 0.38		RECEPTACLE ASSEMBLY 1.27/.050 CENTERS	
0 PLACES ±		DRAFT WHERE APPLICABLE MUST REMAIN WITHIN DIMENSIONS		THIRD ANGLE PROJECTION		DRAWING: B-SIZE		SERIES: 45971	
DOCUMENT NUMBER: SD-45971-001		DOC TYPE: PSD		DOC PART: 001		REVISION: AA		PRODUCT CUSTOMER DRAWING	
MATERIAL NUMBER: SEE TABLE SHEET NO 5		CUSTOMER: GENERAL MARKET		SHEET NUMBER: 1 OF 5					

10 ROW  
10 POSITION  
SHOWN



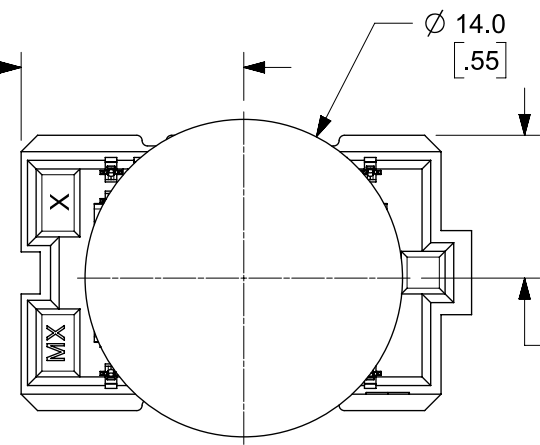
RECOMMENDED PCB LAYOUT: COMPONENT SIDE  
SOLDER SCREEN APERTURE SIZE: 0.89/0.035 DIAMETER  
PCB THICKNESS: NA

DIM M/2 ± 1.52  
DIM M/2 ± 0.060  
PAD  
LOCATION



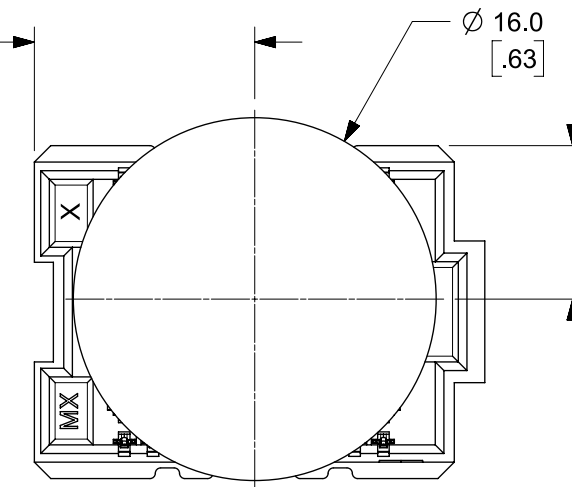
6 ROW OPTION

DIM M/2 ± 1.52  
DIM M/2 ± 0.060  
PAD  
LOCATION



8 ROW OPTION

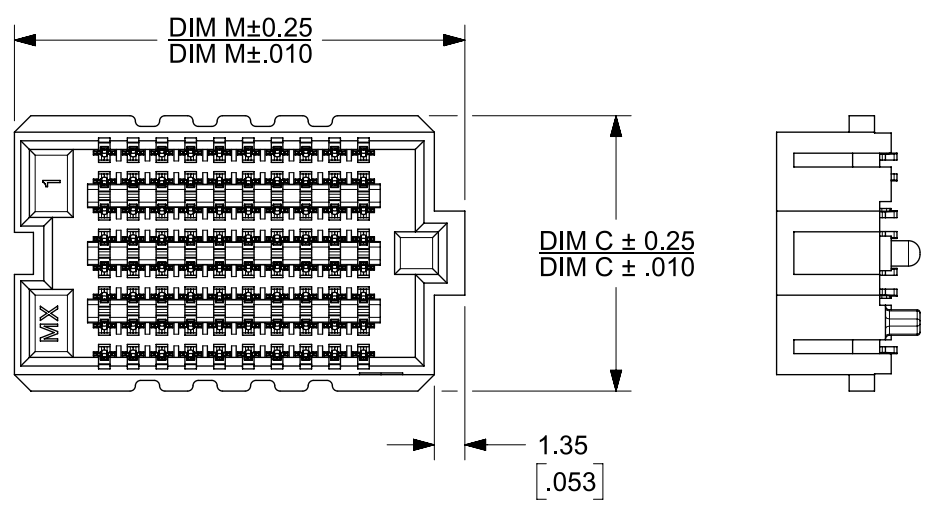
DIM M/2 ± 1.52  
DIM M/2 ± 0.60  
PAD  
LOCATION



10 ROW OPTION

# PICK AND PLACE PAD DIAMETERS 10 POSITION VERSIONS SHOWN

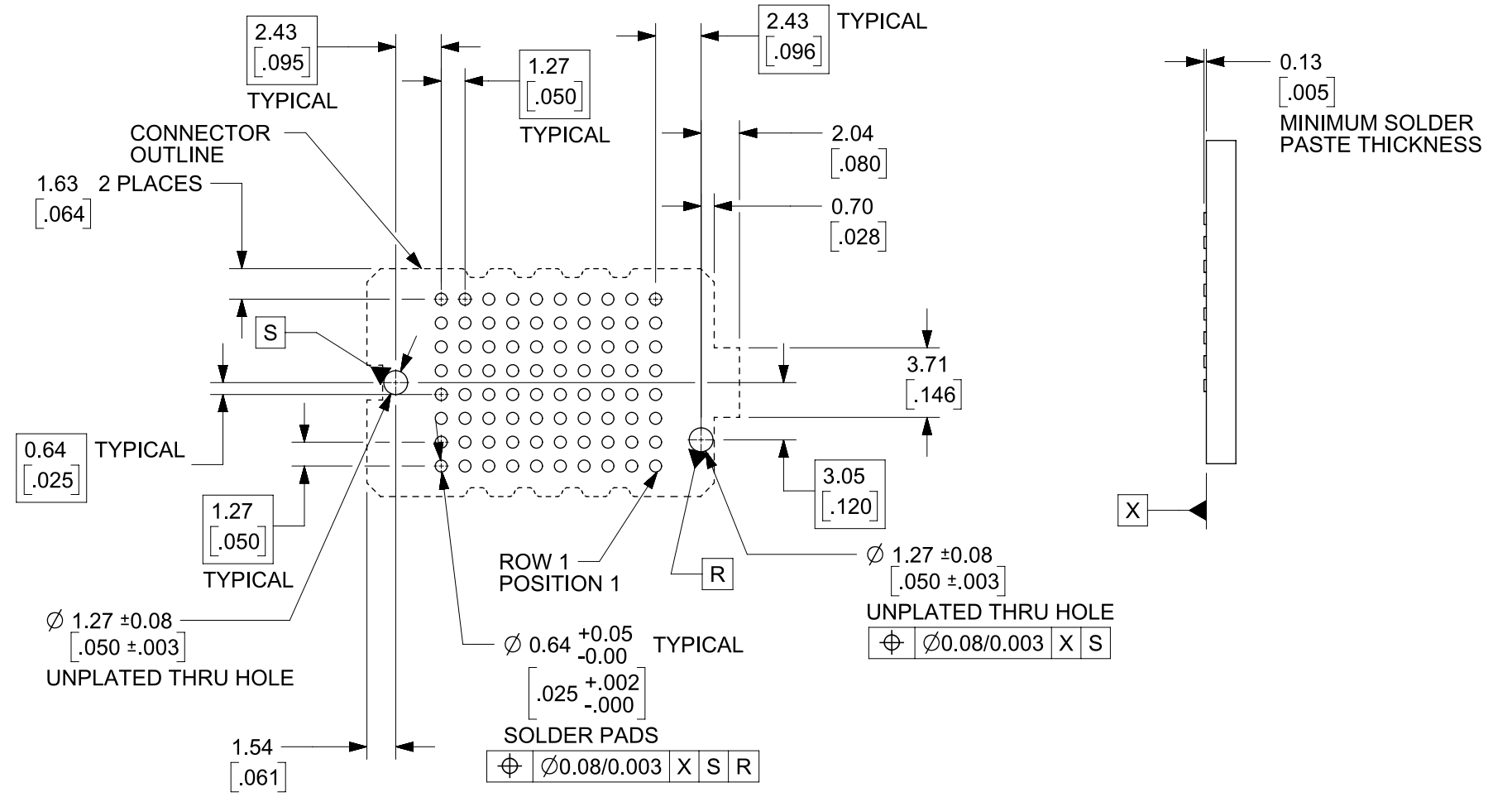
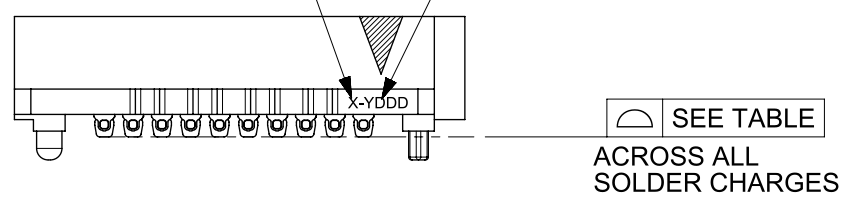
THIS DRAWING CONTAINS INFORMATION THAT IS PROPRIETARY TO MOLEX ELECTRONIC TECHNOLOGIES, LLC AND SHOULD NOT BE USED WITHOUT WRITTEN PERMISSION									
DIMENSION UNITS <b>MM/IN</b>		SCALE <b>3:1</b>		CURRENT REV DESC:					
GENERAL TOLERANCES (UNLESS SPECIFIED)				<p><b>molex</b></p> <p>SEARAY RECEPTACLE ASSEMBLY 1.27/.050 CENTERS</p> <p>PRODUCT CUSTOMER DRAWING</p>					
ANGULAR TOL ± °									
4 PLACES ±									
3 PLACES ±									
2 PLACES ± 0.25									
1 PLACE ± 0.38									
0 PLACES ±				EC NO: 712067		2022/01/25		2022/06/27	
DRAFT WHERE APPLICABLE MUST REMAIN WITHIN DIMENSIONS				THIRD ANGLE PROJECTION		DRAWING		SERIES	
DOCUMENT STATUS		P1		RELEASE DATE		2022/07/14		16:45:44	
SD-45971-001		PSD		001		AA		2 OF 5	



NOTE: THESE CODES MAY BE LOCATED ON EITHER SIDE OF THE HOUSING

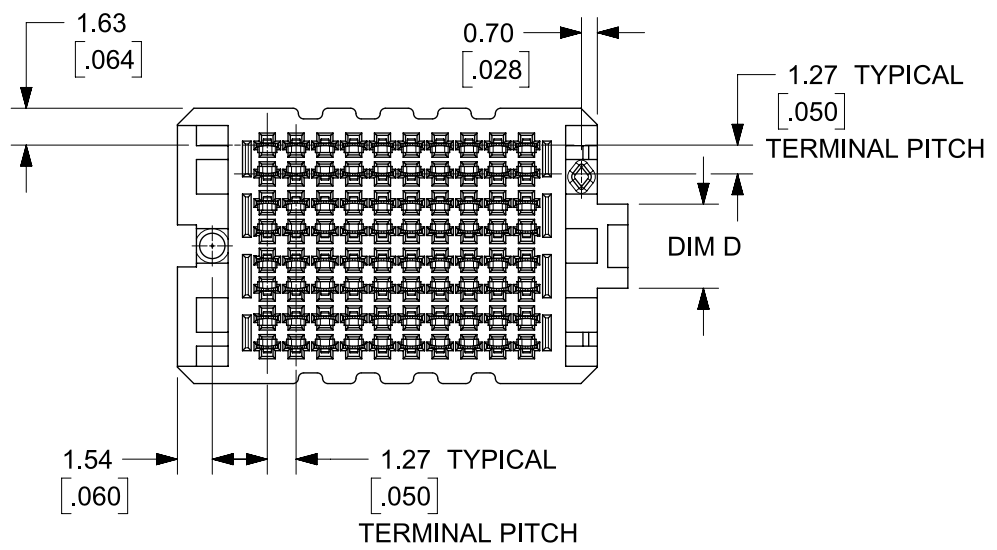
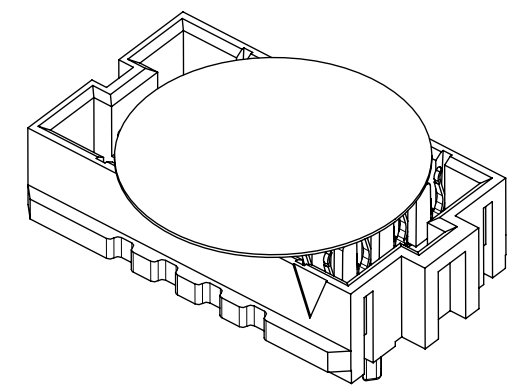
LEAD CODE: 1 = TIN

DATE CODE: X-YDDD



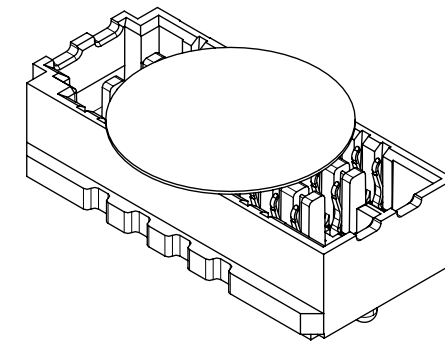
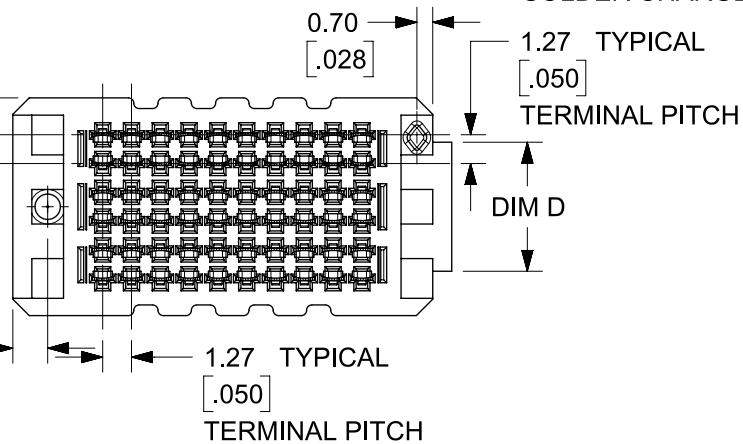
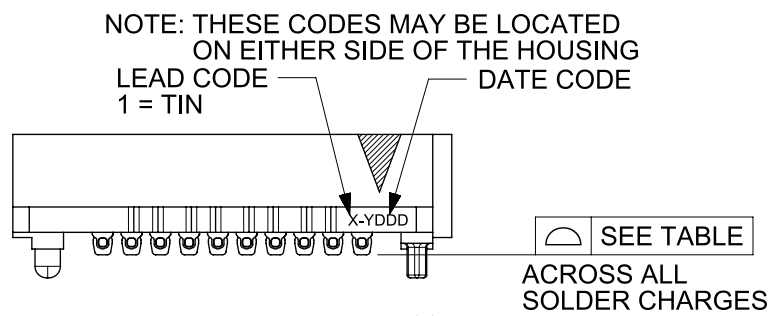
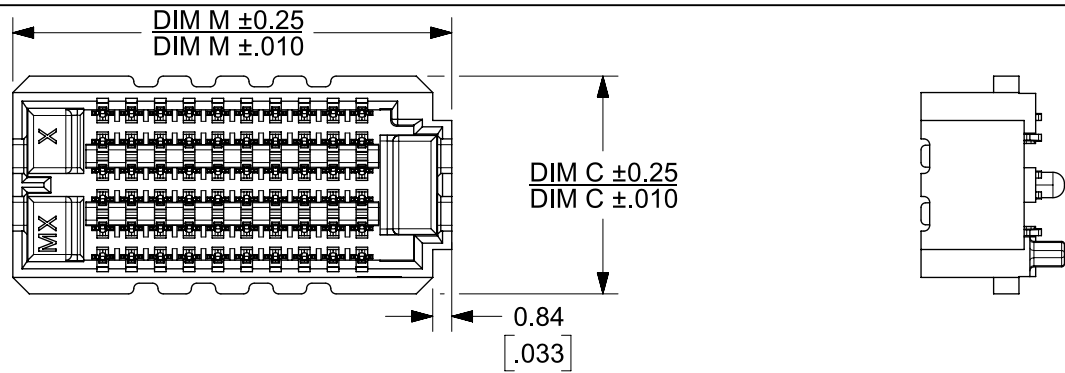
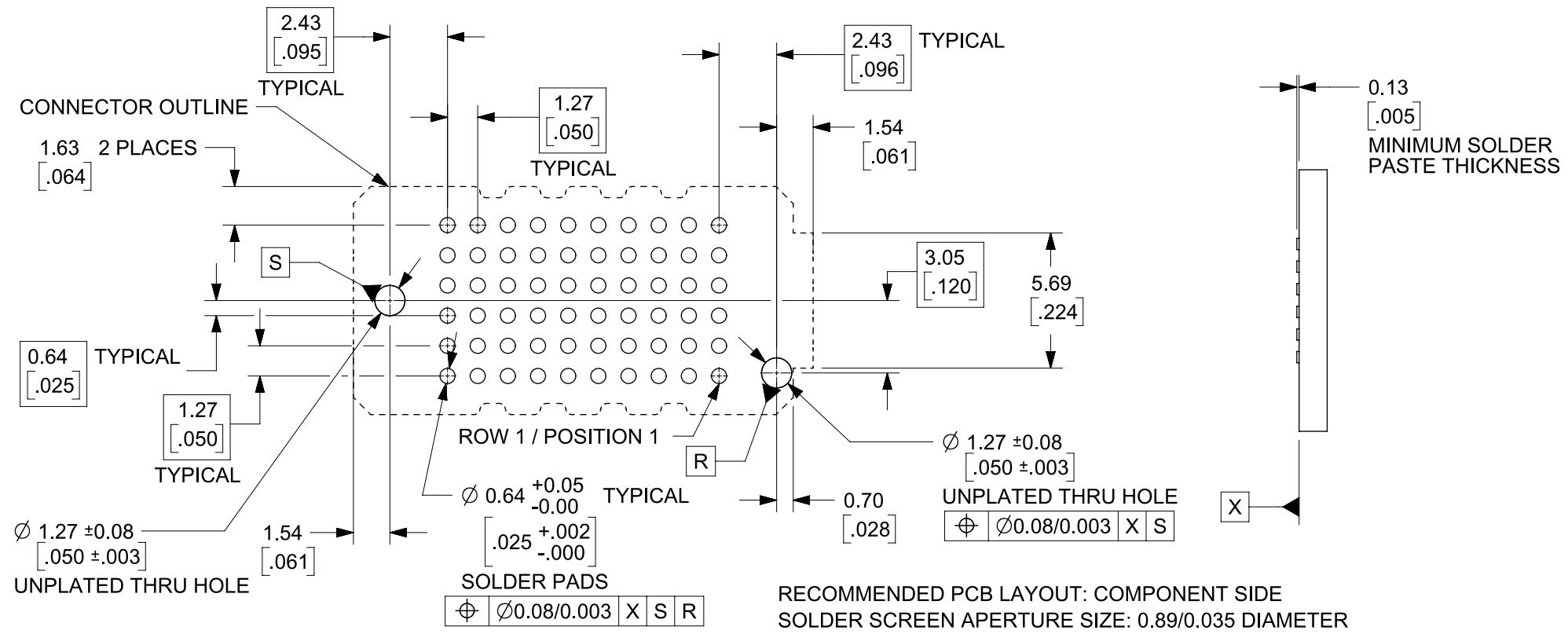
RECOMMENDED PCB LAYOUT: COMPONENT SIDE  
SOLDER SCREEN APERTURE SIZE: 0.89/0.035 DIAMETER  
PCB THICKNESS: NA

8 ROW 10 POSITION SHOWN



THIS DRAWING CONTAINS INFORMATION THAT IS PROPRIETARY TO MOLEX ELECTRONIC TECHNOLOGIES, LLC AND SHOULD NOT BE USED WITHOUT WRITTEN PERMISSION									
DIMENSION UNITS: MM/IN		SCALE: 3:1		CURRENT REV DESC:					
GENERAL TOLERANCES (UNLESS SPECIFIED)		ANGULAR TOL ± °		EC NO: 712067					
4 PLACES ±		3 PLACES ±		2 PLACES ± 0.25		1 PLACE ± 0.38		0 PLACES ±	
DRAFT WHERE APPLICABLE MUST REMAIN WITHIN DIMENSIONS		THIRD ANGLE PROJECTION		DRAWING: B-SIZE		SERIES: 45971		MATERIAL NUMBER: SEE TABLE SHEET NO 5	
DOCUMENT STATUS: P1		RELEASE DATE: 2022/07/14 16:45:44		DRWN: CLHOE01		CHK'D: HCGOH		APPR: SHONG	
				2022/01/25		2022/06/27		2022/07/14	
				INITIAL REVISION:		2005/05/17		2010/03/05	
				DRWN: TREGORI		APPR: JCOMERCI			
				DOCUMENT NUMBER: SD-45971-001		DOC TYPE: PSD		DOC PART: 001	
				REVISION: AA		CUSTOMER: GENERAL MARKET		SHEET NUMBER: 3 OF 5	

6 ROW  
10 POSITION  
SHOWN

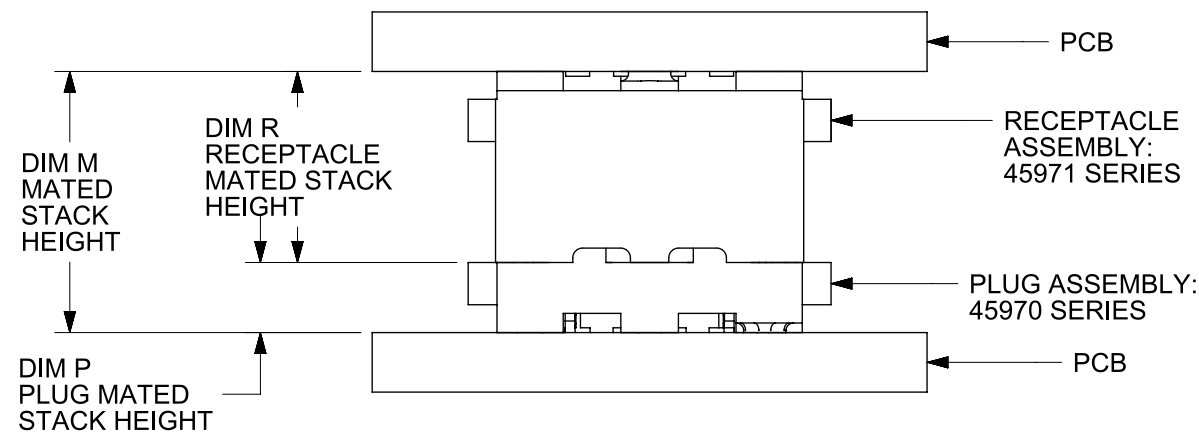


6 ROW  
10 POSITION  
SHOWN

THIS DRAWING CONTAINS INFORMATION THAT IS PROPRIETARY TO MOLEX ELECTRONIC TECHNOLOGIES, LLC AND SHOULD NOT BE USED WITHOUT WRITTEN PERMISSION															
DIMENSION UNITS <b>MM/IN</b>		SCALE <b>3:1</b>		CURRENT REV DESC:											
GENERAL TOLERANCES (UNLESS SPECIFIED)				<p><b>molex</b></p> <p>SEARAY RECEPTACLE ASSEMBLY 1.27/.050 CENTERS</p> <p>PRODUCT CUSTOMER DRAWING</p>											
ANGULAR TOL ± °															
4 PLACES ±		3 PLACES ±								2 PLACES ± 0.25		1 PLACE ± 0.38		0 PLACES ±	
INITIAL REVISION:										2022/01/25		2022/06/27		2022/07/14	
DRWN: CLHOE01										CHK'D: HCGOH		APPR: SHONG		INITIAL REVISION:	
DRWN: TGREGORI				2005/05/17		2010/03/05		2010/03/05							
APPR: JCOMERCI				MATERIAL NUMBER		CUSTOMER		SHEET NUMBER							
DRAFT WHERE APPLICABLE MUST REMAIN WITHIN DIMENSIONS				THIRD ANGLE PROJECTION		DRAWING		SERIES							
DOCUMENT STATUS				P1		RELEASE DATE		2022/07/14 16:45:44							
SD-45971-001				PSD		001		AA							
SEE TABLE SHEET NO 5				GENERAL MARKET		4 OF 5									

ROWS: 6 DIMENSION C = 9.60/.378 DIMENSION D = 5.69/.224						
DIM R: (REF)		5.0 mm	6.0 mm	6.5 mm	7.5 mm	8.0 mm
DIM H:		5.05/.199	6.05/.238	6.55/.258	7.54/.297	8.05/.317
DIM S:		5.31/.209	6.30/.248	6.81/.268	7.80/.307	8.31/.327
POSITION	DIM M	MATERIAL NO	MATERIAL NO	MATERIAL NO	MATERIAL NO	MATERIAL NO
10	19.35/0.762					
20	32.05/1.262					
30	44.75/1.762	45971-3165				
40	57.45/2.262					
50	70.15/2.762	45971-5165				
15	25.70/1.012					
25	38.40/1.512					
35	51.10/2.012					
45	63.80/2.512					

ROWS: 8 DIMENSION C = 12.14/.478 DIMENSION D = 3.71/.146						
DIM R: (REF)		5.0 mm	6.0 mm	6.5 mm	7.5 mm	8.0 mm
DIM H:		5.05/.199	6.05/.238	6.55/.258	7.54/.297	8.05/.317
DIM S:		5.31/.209	6.30/.248	6.81/.268	7.80/.307	8.31/.327
POSITION	DIM M	MATERIAL NO	MATERIAL NO	MATERIAL NO	MATERIAL NO	MATERIAL NO
10	19.88/0.784					
20	32.58/1.284	45971-2185		45971-2385		
30	45.28/1.784	45971-3185		45971-3385		
40	57.98/2.284	45971-4185		45971-4385		
50	70.68/2.784	45971-5185				
15	26.23/1.034					
25	38.93/1.534					
35	51.63/2.034					
45	64.33/2.534					



**STACK HEIGHTS**  
GIVEN IN MILLIMETERS (MM) FOR REFERENCE ONLY

ROWS: 10 DIMENSION C = 14.68/.578 DIMENSION D = 6.25/.246						
DIM R: (REF)		5.0 mm	6.0 mm	6.5 mm	7.5 mm	8.0 mm
DIM H:		5.05/.199	6.05/.238	6.55/.258	7.54/.297	8.05/.317
DIM S:		5.31/.209	6.30/.248	6.81/.268	7.80/.307	8.31/.327
POSITION	DIM M	MATERIAL NO	MATERIAL NO	MATERIAL NO	MATERIAL NO	MATERIAL NO
10	19.88/0.784	45971-1115	45971-1215	45971-1315	45971-1415	45971-1515
20	32.58/1.284	45971-2115	45971-2215	45971-2315	45971-2415	45971-2515
30	45.28/1.784	45971-3115	45971-3215	45971-3315	45971-3415	45971-3515
40	57.98/2.284	45971-4115	45971-4215	45971-4315	45971-4415	45971-4515
50	70.68/2.784	45971-5115	45971-5215	45971-5315	45971-5415	45971-5515
15	26.23/1.034	45971-6115	45971-6215	45971-6315	45971-6415	45971-6515
25	38.93/1.534	45971-7115	45971-7215	45971-7315	45971-7415	45971-7515
35	51.63/2.034	45971-8115	45971-8215	45971-8315	45971-8415	45971-8515
45	64.33/2.534	45971-9115	45971-9215	45971-9315	45971-9415	45971-9515

**MATING STACK HEIGHTS (DIMENSION R)**  
GIVEN IN MILLIMETERS (mm) FOR REFERENCE ONLY

		DIM R RECEPTACLE STACK HEIGHT									
		5.0		6.0		6.5		7.5		8.0	
		DIM M FULLY MATED	DIM M MAX	DIM M FULLY MATED	DIM M MAX	DIM M FULLY MATED	DIM M MAX	DIM M FULLY MATED	DIM M MAX	DIM M FULLY MATED	DIM M MAX
DIM P PLUG STACK HEIGHT	2.0	7.00	7.74	8.00	8.74	8.50	9.24	9.50	10.24	10.00	10.74
	2.5	7.50	8.24	8.50	9.24	9.00	9.74	10.00	10.74	10.50	11.24
	3.0	8.00	8.74	9.00	9.74	9.50	10.24	10.50	11.24	11.00	11.74
	3.5	8.50	9.24	9.50	10.24	10.00	10.74	11.00	11.74	11.50	12.24
	4.5	9.50	10.24	10.50	11.24	11.00	11.74	12.00	12.74	12.50	13.24
	5.0	10.00	10.74	11.00	11.74	11.50	12.24	12.50	13.24	13.00	13.74
	7.0	12.00	12.74	13.00	13.74	13.50	14.24	14.50	15.24	15.00	15.74
9.0	14.00	14.74	15.00	15.74	15.50	16.24	16.50	17.24	17.00	17.74	

**MATED STACK HEIGHTS**  
GIVEN IN MILLIMETERS (mm) FOR REFERENCE ONLY

THIS DRAWING CONTAINS INFORMATION THAT IS PROPRIETARY TO MOLEX ELECTRONIC TECHNOLOGIES, LLC AND SHOULD NOT BE USED WITHOUT WRITTEN PERMISSION											
DIMENSION UNITS: MM/IN		SCALE: 3:1		CURRENT REV DESC:						<b>molex</b>	
GENERAL TOLERANCES (UNLESS SPECIFIED)		EC NO: 712067 DRWN: CLHOE01 CHK'D: HCGOH APPR: SHONG						2022/01/25 2022/06/27 2022/07/14			
ANGULAR TOL ± °		INITIAL REVISION:						PRODUCT CUSTOMER DRAWING		DOCUMENT NUMBER	
4 PLACES ±		DRWN: TREGORI						SD-45971-001		PSD 001 AA	
3 PLACES ±		APPR: JCOMERCI						MATERIAL NUMBER		CUSTOMER	
2 PLACES ± 0.25		2010/03/05						SEE TABLE SHEET NO 5		GENERAL MARKET	
1 PLACE ± 0.38		THIRD ANGLE PROJECTION						DRAWING		SHEET NUMBER	
0 PLACES ±		DRAFT WHERE APPLICABLE MUST REMAIN WITHIN DIMENSIONS						B-SIZE		45971	