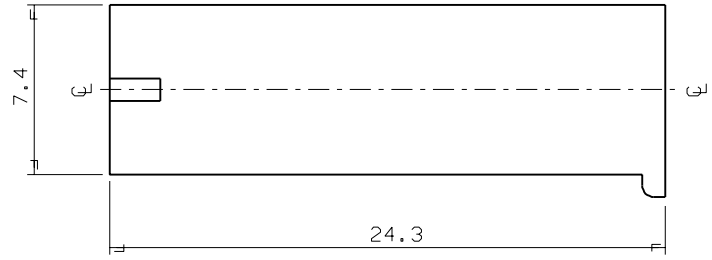
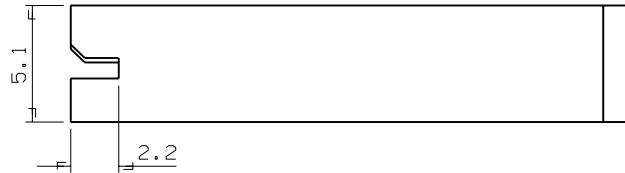
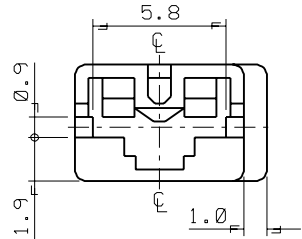
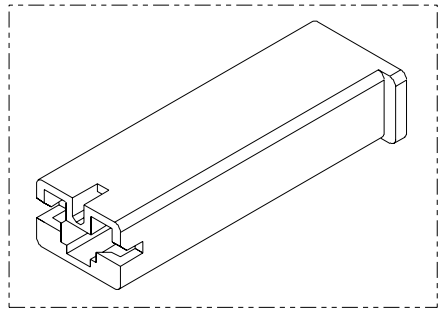


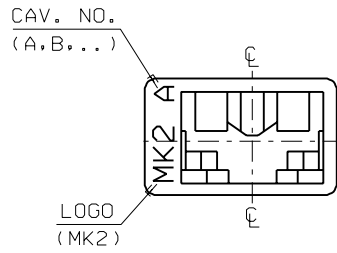
PROJECT NO. .187 MP-LOCK CONN' EDP NO. SD 35189-011 •

8 7 6 5 4 3 2 1

SIMILAR ITEM



- NOTES
- MATERIAL : NYLON 66
35189-0110 (UL94V-2)
35189-0111 (UL94V-0)
 - COLOR : NATURAL
 - APPLICABLE TERMINAL : 35068-9**2



				MATERIAL	SEE NOTES	MOLEX-KOREA CO.,LTD.	
				GENERAL TOLERANCE			
C	REVISED	96-137	96-12-24	DIMENSION : ± 0.3 ANGLE : $\pm 1^\circ$		DRAWN BY	CHK'D BY
B	REVISED		96-9-20	DIMENSION CLASSIFICATION ▽ : CRITICAL ▼ : MAJOR () : REFERENCE		APP'D BY	SCALE
A	NEW RELEASED		96-4-25	ASS'Y PART		TITLE :	
LTR	REVISION RECORD	ECN	DATE	DESCRIPTION ENG. NO.		SHEET	
REVISE ONLY ON CAD SYSTEM						.187 MP-LOCK HSG-1P 1 OF 1	
						ENG. NO.	REV
						SD 35189-011 •	C