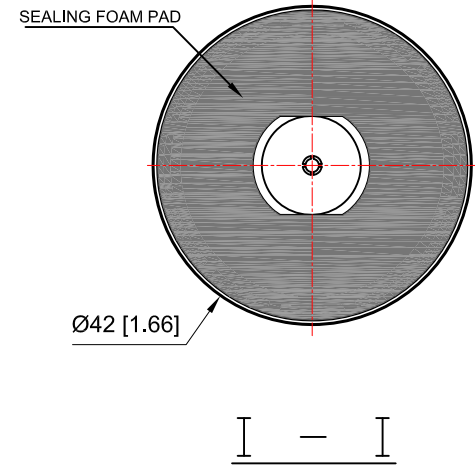
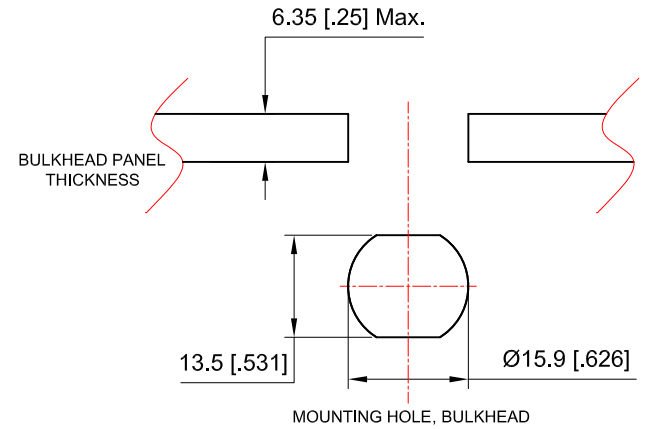
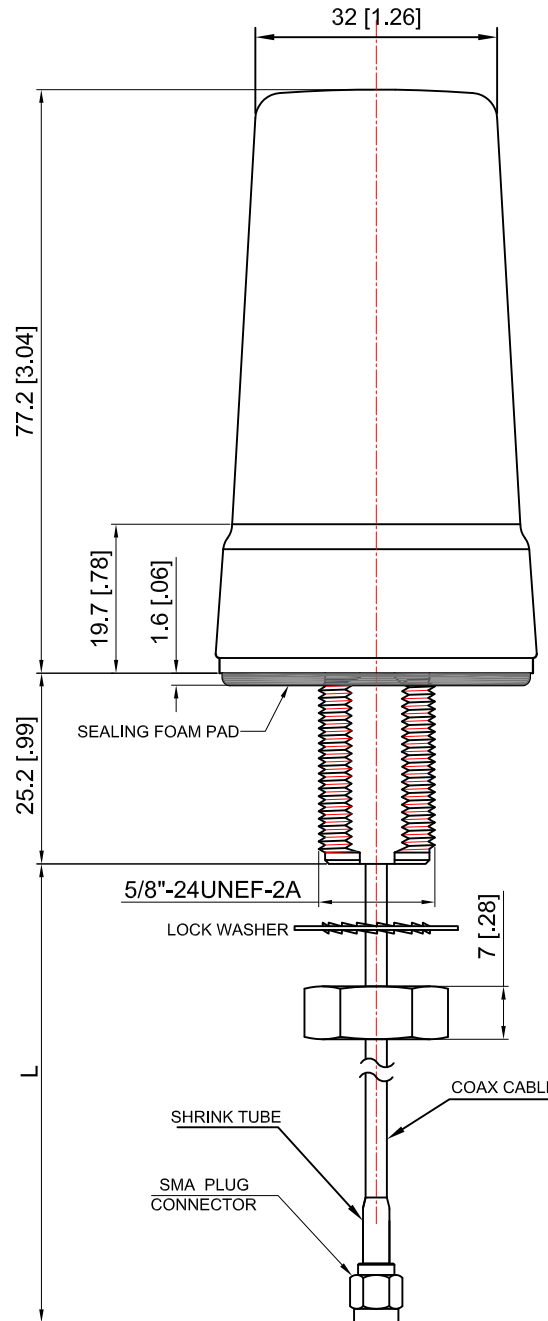
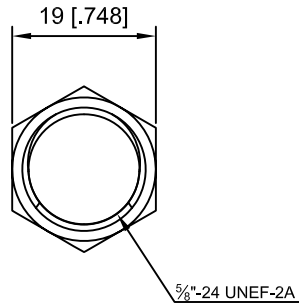


NOTES

1. RADOME MATERIAL: XENYO™ 1731.
2. COLOR: BLACK
3. FREQUENCY: 698 - 960 MHz
1710 - 2700 MHz
4. VSWR: 2:1
5. POWER HANDLING: 10W
6. RADIATOR: PC BOARD.
7. CONNECTOR XX TO BE SPECIFIED BY CUSTOMER.
8. INTEGRATED FEED CABLE IS LOW LOST LMR100 (OR J100 EQUIVALENT) COAX CABLE, CABLE OPTION FOR U.FL/IPEX CONNECTOR IS EITHER RG178 OR OD 1.37mm COAX CABLE.
9. CABLE LENGTH L TO BE SPECIFIED IN INCHES.



Series Part Numbers

Connector Code -XX-	Description	P / N
AM	SMA Plug	W771FL2-L-AM
AH	SMA Plug Reverse Polarity	W771FL2-L-AH
MX	MCX Straight Plug	W771FL2-L-MX
MM	MMCX Straight Plug	W771FL2-L-MM
RMM	MMCX Right Angle Plug	W771FL2-L-RMM
PX	U.FL/IPEX Right Angle Plug	W771FL2-L-PX

TITLE		MULTI - BAND LOW PROFILE ANTENNA 698-960/1710-2700 MHz WITH INTEGRATED FEED CABLE	Rev. Date	SHEET
			04/16/14	1 OF 1
UNIT	DWG. NO.	W771FL2-L-XX		
mm(In.)				
SCALE	NEARSON			
none				