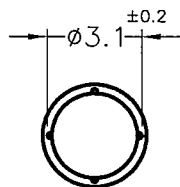
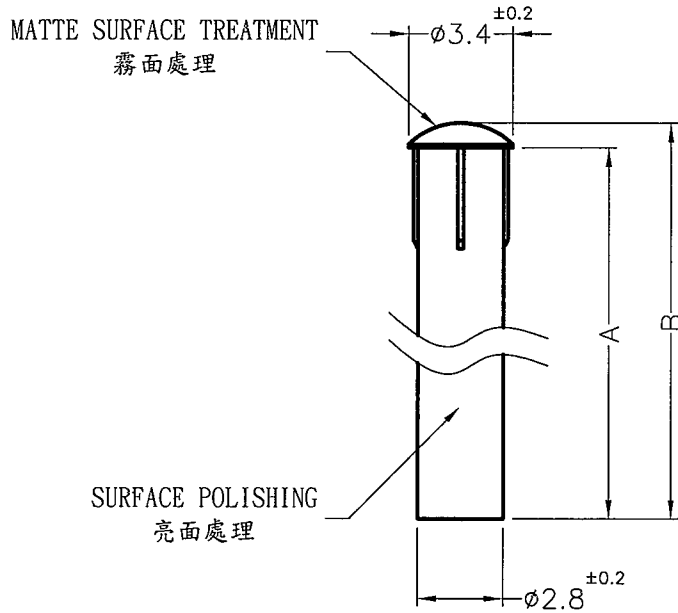


DIM.	TOL
L ≤ 10	±0.2
10 < L ≤ 30	±0.3
30 < L ≤ 50	±0.5
50 < L ≤ 100	±0.7
100 < L ≤ 250	±1.2
ABOVE 250	±1.5



MOUNTING HOLE $\phi 3.0$

PART NO.	A	B
LEM-235-7.2	7.2	8.0
LEM-235	12.2	13.0



康揚企業股份有限公司
KANG YANG HARDWARE ENTERPRISE CO., LTD.
康揚塑膠(東莞)有限公司
KANG YANG PLASTIC(DONG GUAN)CO.,LTD.
康哲電腦配件(吳江)有限公司
KANG CHE COMPUTER COMPONENTS(WUJIANG)CO.,LTD.

PROPRIETARY AND CONFIDENTIAL THE INFORMATION CONTAINED IN THIS DRAWING IS THE SOLE PROPERTY OF KANG YANG HARDWARE ENTERPRISE CO. ANY REPRODUCTION IN PART OR AS A WHOLE WITHOUT THE WRITTEN PERMISSION OF KANG YANG HARDWARE ENTERPRISE CO. IS PROHIBITED. DO NOT SCALE DRAWING	DATE	2017.12.12	TITLE	LIGHT PIPE	DWG. NO.	LEM-235	PART NO.	SEE ABOVE
	DRAWN	Y.C.P	MATERIAL	(L-1225L) PC UL94V-2	SIZE	A4	SPEC. DWG	REV
	CHECKED	林祺翔	COLOR	TRANSPARENT	FINISH			A
	APPROVED	Kang	UNLESS OTHERWISE SPECIFIED TOLERANCE:	SEE ABOVE	SCALE:	NONE	UNIT	mm