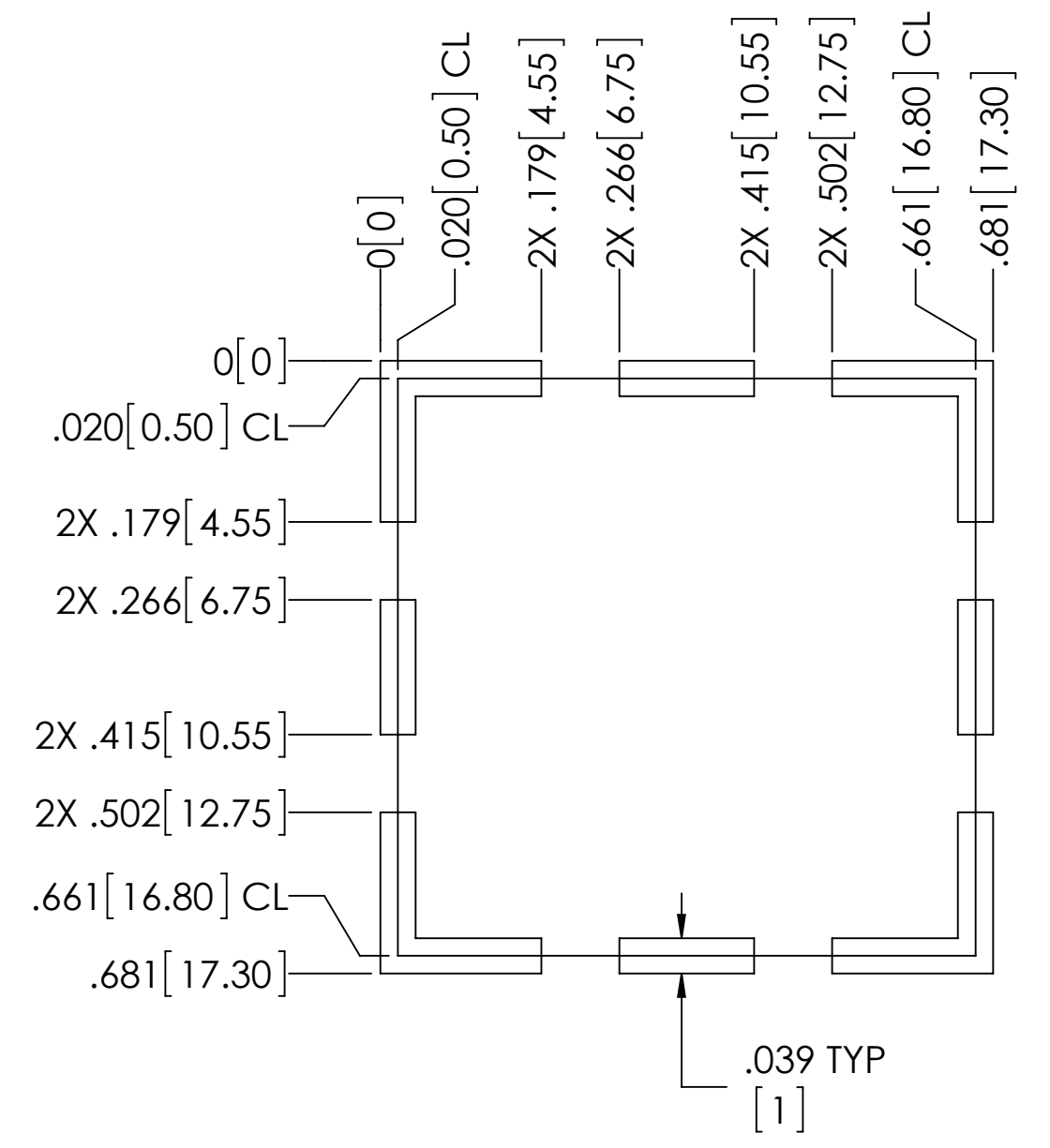
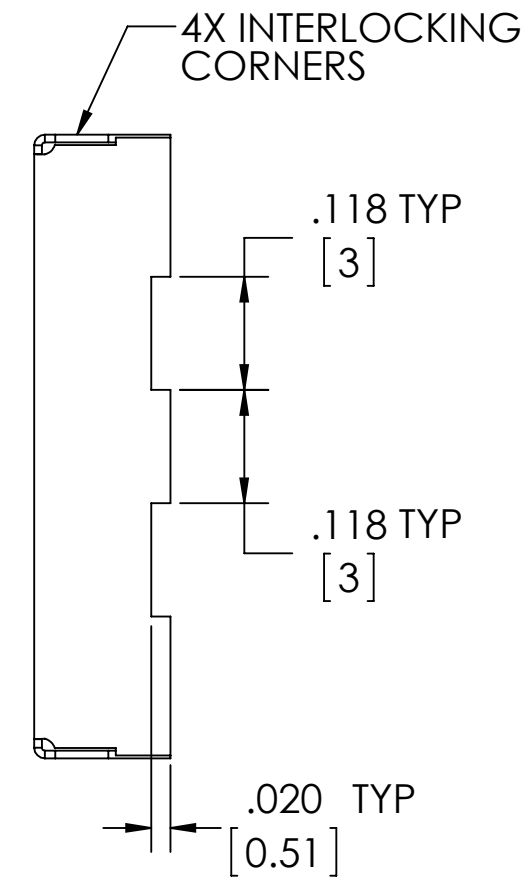
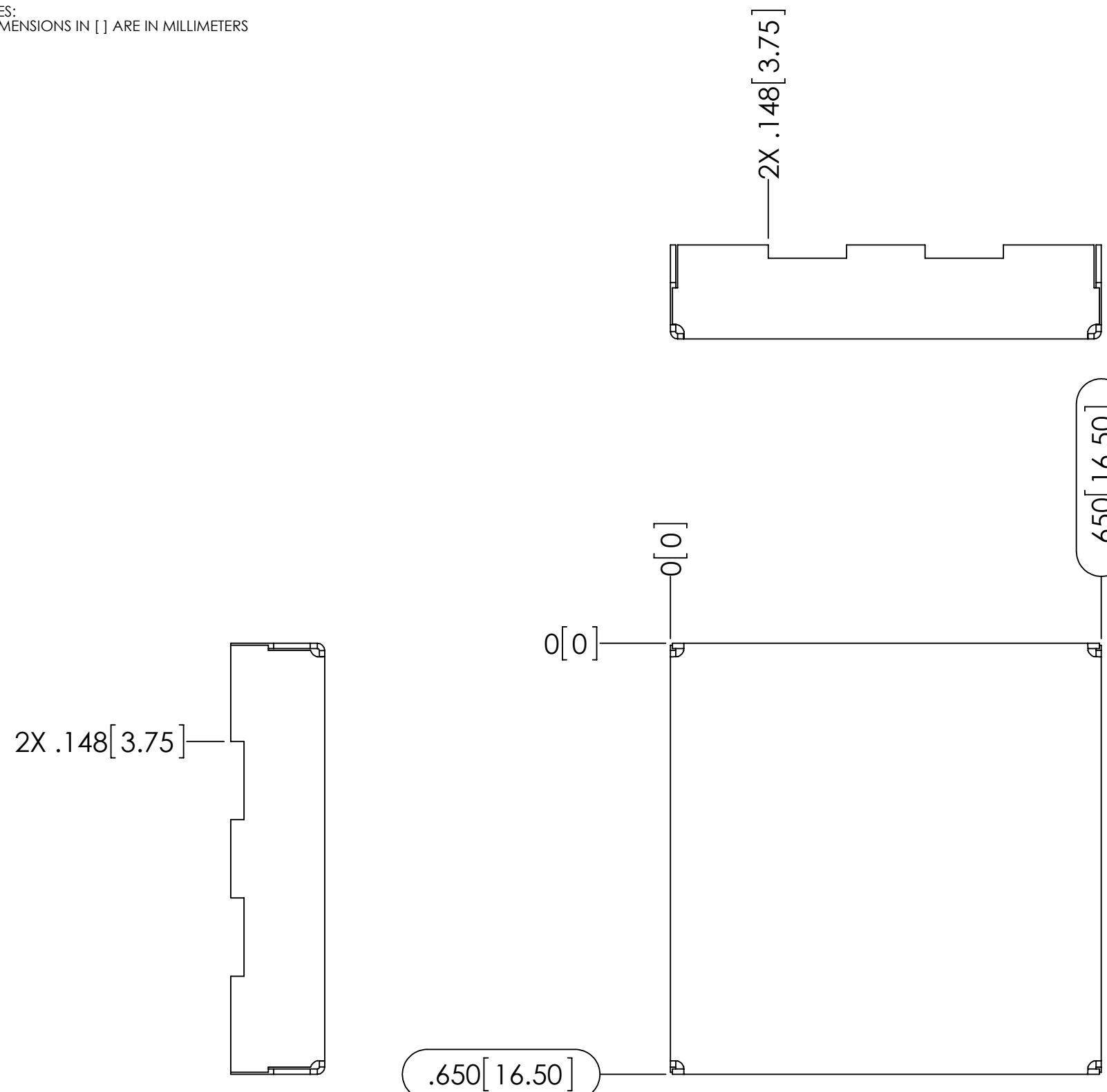
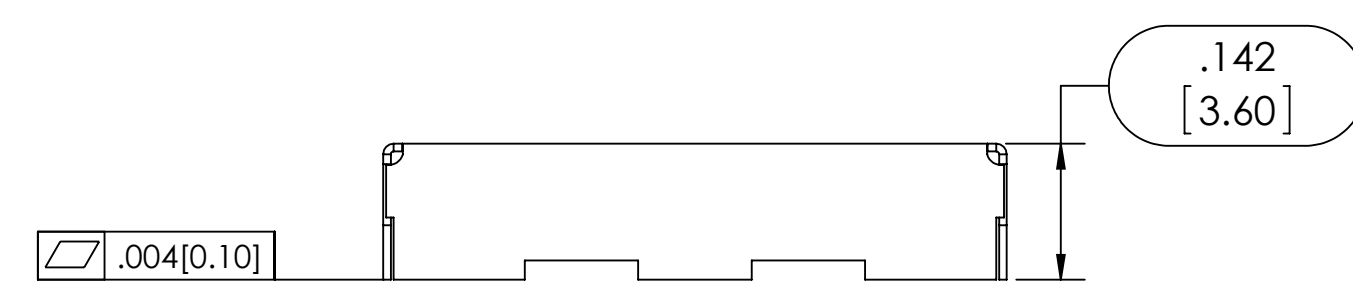


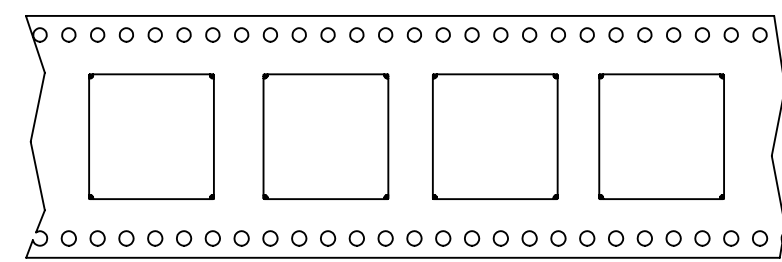
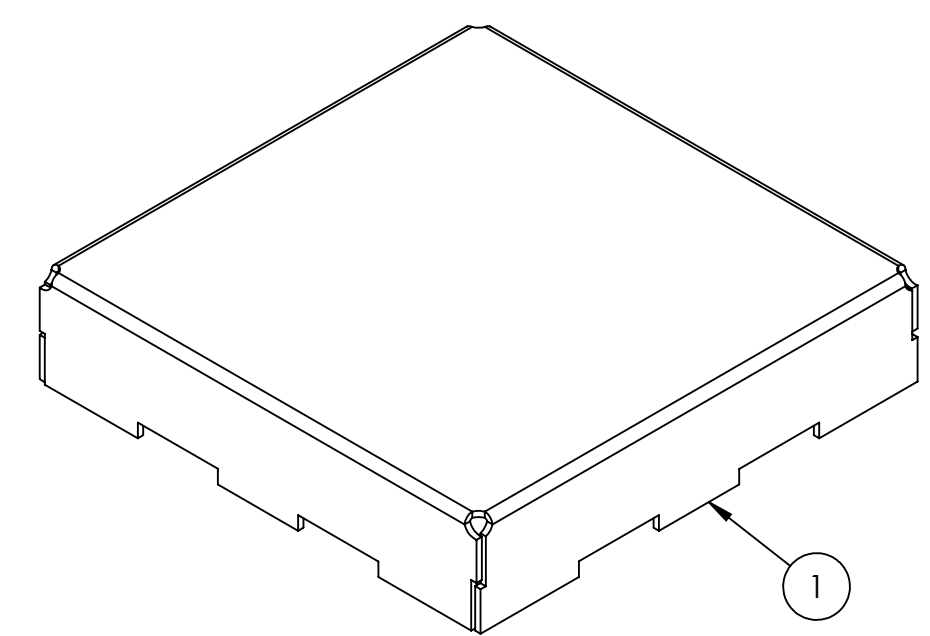
NOTES:  
1. DIMENSIONS IN [ ] ARE IN MILLIMETERS



TRACE PATTERN



FORMED COVER



CARRIER TAPE

CARRIER TAPE SPECIFICATIONS						
PART NUMBER	DESCRIPTION	OVERALL DIMENSION	OVERALL HEIGHT	CARRIER TAPE WIDTH	CARRIER TAPE PITCH	PARTS PER REEL
SMS-302	ONE PIECE SHIELD	.650 x .650 [16.50 x 16.50]	.142 [3.61]	32 mm	24 mm	700

THIS DOCUMENT CONTAINS PROPRIETARY INFORMATION OWNED BY LEADERTECH, OR DEVELOPED AT ITS OWN PRIVATE EXPENSE, AND MAY NOT BE USED, DUPLICATED OR DISCLOSED IN WHOLE OR IN PART FOR ANY PURPOSE INCLUDING DESIGN, MANUFACTURE OR PROCUREMENT WITHOUT THE WRITTEN PERMISSION OF LEADERTECH. LEADERTECH DOES NOT GUARANTEE OR WARRANTY THE PERFORMANCE CHARACTERISTICS.

ITEM NO.	PART NUMBER	DESCRIPTION	QTY.
1	SMS-302	ONE PIECE SHIELD	1

<b>UNLESS OTHERWISE SPECIFIED:</b> - ALL DIMENSIONS ARE IN INCHES - PART SHALL BE FREE OF BURRS AND SHARP EDGES - ALL DIMENSIONS SHOWN APPLY AFTER PLATING AND COATINGS - ROHS COMPLIANT PER EU DIRECTIVE 2011/65/EU - POI = POINT OF INTERSECTION		THIRD ANGLE PROJECTION 	 a HEICO company <i>The Leading Edge in EMI Shielding Technology</i>
.XXX +/- .005 [0.13] .XX +/- .010 [0.25] .X +/- .020 [0.51] ANGLES +/- 2°		TITLE: <b>SURFACE MOUNT SHIELD ONE PIECE</b>	
DRAWN BY: SDH	2015-02-25	APPROVED BY: Tegan Strautmänn 2015.02.25 09:46:58 -05'00'	SIZE: C DWG. NO.: <b>SMS-302</b> REV: A
FINISH: MATTE	MATERIAL: .008" [0.20] - PRE TIN STEEL	SCALE: 5:1	CAGE CODE: 4J674 SHEET: 1 OF 1