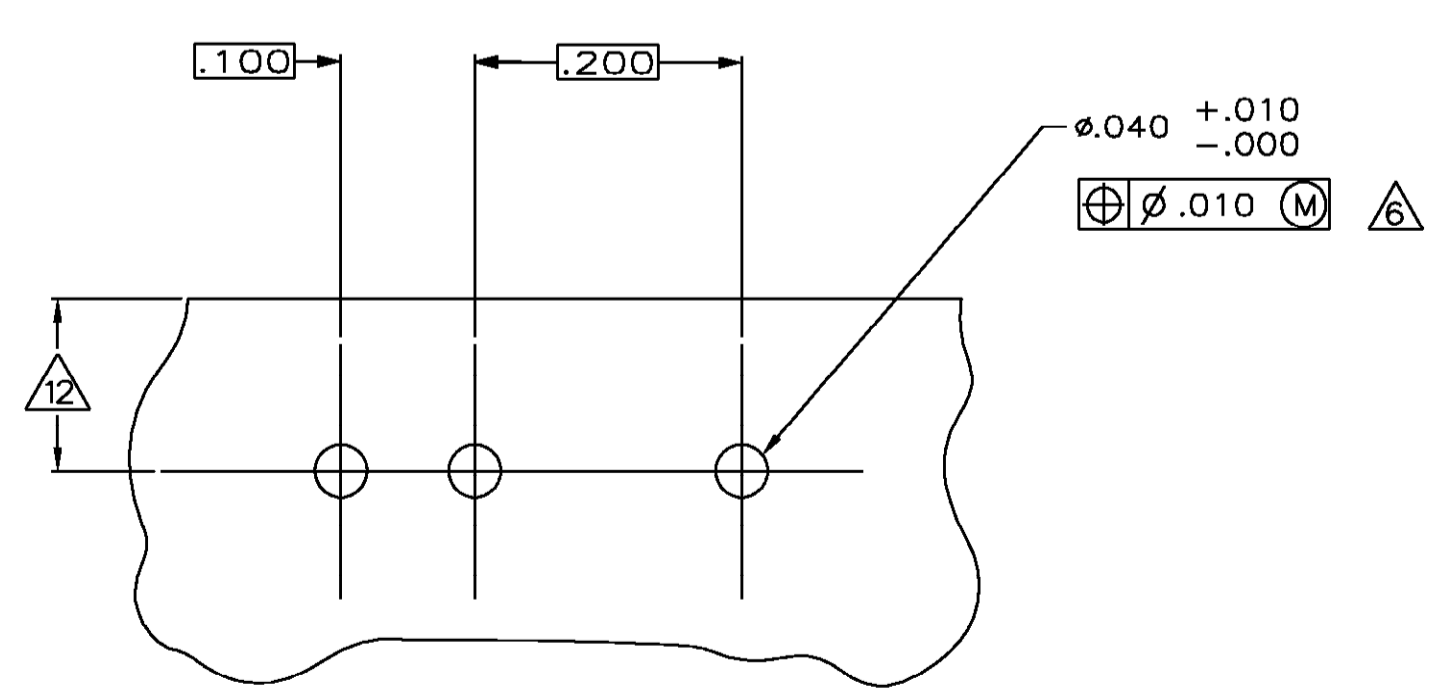
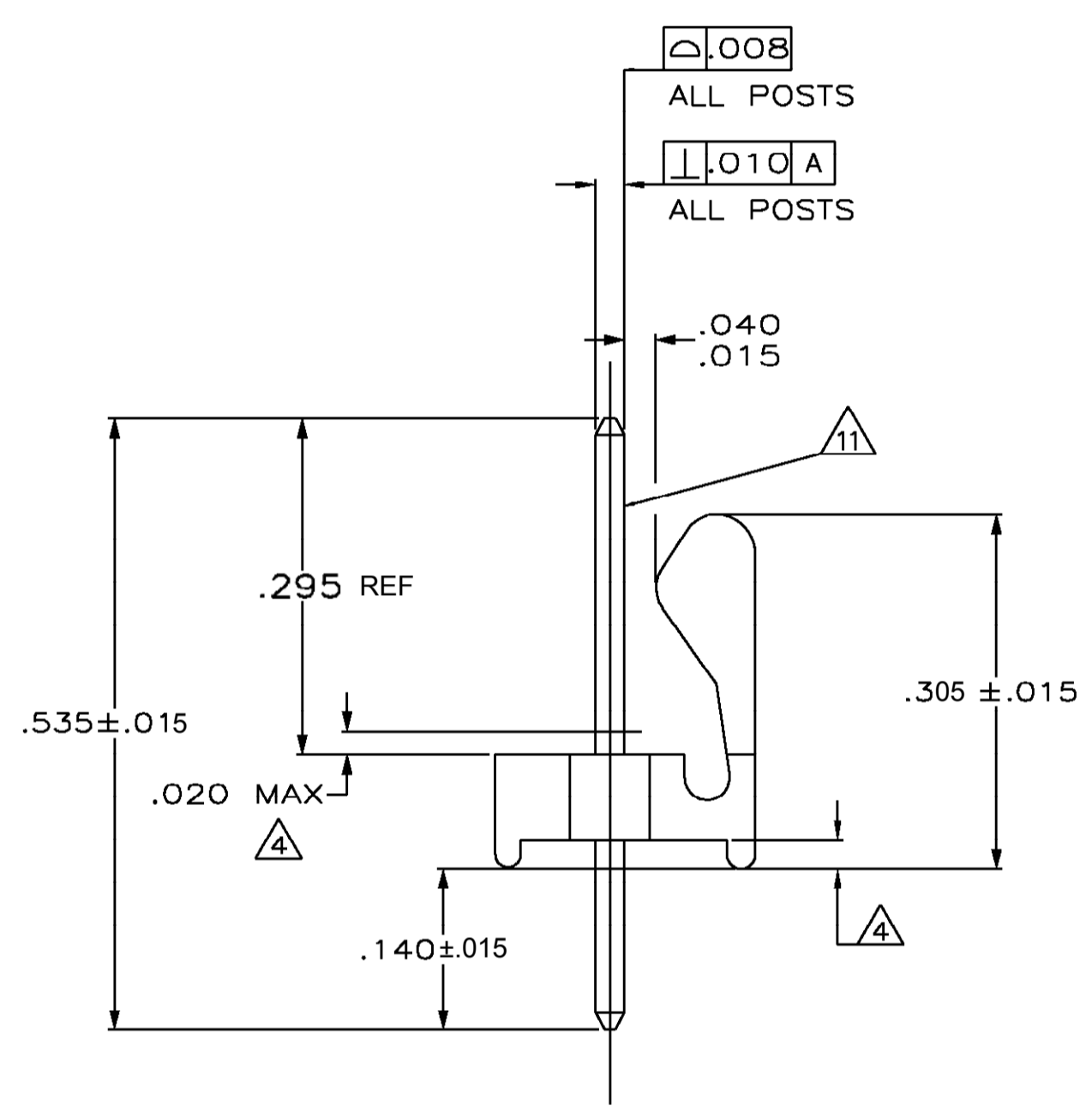
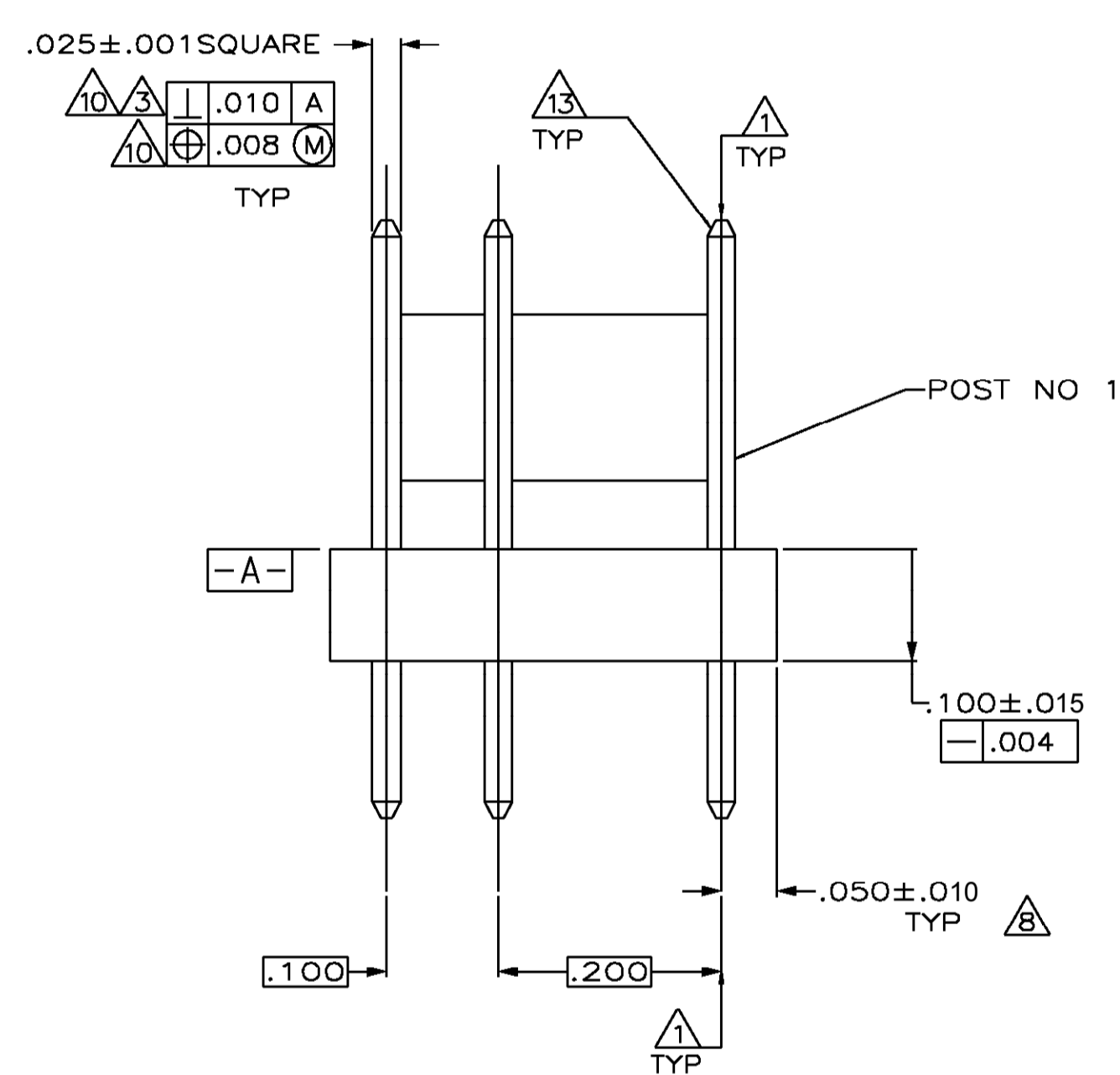
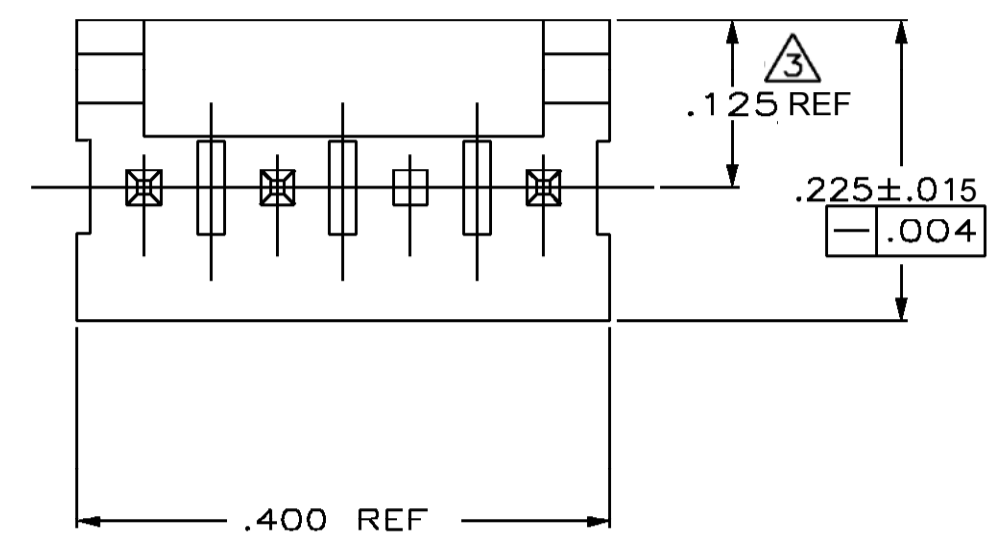


THIS DRAWING IS UNPUBLISHED. RELEASED FOR PUBLICATION BY TDK ELECTRONICS CORPORATION. ALL RIGHTS RESERVED.

LOC	DIST	REVISIONS			
P	LR	DESCRIPTION	DATE	DR	APPD
CM	00	L3	REVISED PER ECR-15-014064	07MAR16	NK NL



RECOMMENDED MOUNTING HOLE PATTERN FOR .063 THICK P.C. BOARD

.040	1.02	.035	0.89	.535	13.59
.032	0.81	.400	10.16		
.025	0.64	.310	7.87		
.020	0.51	.295	7.49		
.015	0.38	.225	5.72		
.010	0.25	.200	5.08		
.008	0.20	.140	3.56		
.005	0.13	.130	3.30		
.004	0.10	.125	3.18		
.003	0.08	.100	2.54		
.001	0.03	.063	1.60		
.000	0.00	.050	1.27		
IN	MM	IN	MM		

CONVERSION TABLE

- △ POST TO WITHSTAND 13 NEWTONS (3 LBS) MIN. AXIAL FORCE IN BOTH DIRECTIONS SHOWN WITHOUT DISLODGING.
- △ TOLERANCES APPLY TO SOLDER SIDE OF BOARD.
- △ MEASURED AT SURFACE [-A-]
- △ PLASTIC FLASH PERMITTED IN THIS AREA.
- 5. PARTS COMPLY WITH AMP SOLDERABILITY SPEC. NO. 109-11-2.
- △ ONE HOLE MAY BE UNDERSIZED (.032-.035 DIA) FOR ASSEMBLY RETENTION DURING WAVE SOLDERING.
- △ MATERIAL: HEADER-THERMOPLASTIC POLYESTER
UL94V-0(NATURAL)
POST-COPPER ALLOY (TIN-PLATED)
- △ COORDINATE DIMENSION APPLIES FROM CENTER OF ACTUAL FEATURE.
- 9. PLASTIC BURRS CAUSED BY CUT-OFF TOOLING ARE PERMITTED WITHIN THE MAXIMUM TOLERANCE ENVELOPE.
- △ POSTS TO BE MEASURED WHEN STRIP IS HELD FLAT.
- △ POSTS MUSTS WITHSTAND TWO 90° BENDS AGAINST EXTRUSION WITHOUT BREAKING.
- △ DIMENSION SHOULD BE .130 MIN WHEN MATING WITH A MTA 100 CONNECTOR ASSEMBLY OR A CST 100 CONNECTOR.
- △ PIN BURR OF .005 MAX. VERTICAL AND .003 MAX. HORIZONTAL PERMITTED AT POST TIPS ON BOTH ENDS.

643431-1 SHOWN

OBSOLETE	2 & 3	643431-5
	4	643431-4
	1	643431-3
	3	643431-2
	2	643431-1
	POST NUMBER OMITTED	PART NUMBER

THIS DRAWING IS A CONTROLLED DOCUMENT.

DIMENSIONS:	TOLERANCES UNLESS OTHERWISE SPECIFIED:	DRN L SMITH 3-30-93	3-30-93	TE Connectivity
INCHES:	0 P/LC ± -	CHK R SMITH 3-30-93	4-15-93	NAME
FRONT VIEW	1 P/LC ± -	APPD R SPEER		MTA-100 HEADER ASSEMBLY, FRICTION LOCK, NOTCHED, .025 SQUARE STRAIGHT POST, TIN PLATED, 4 POSITION, OMITTED POST
RIGHT VIEW	2 P/LC ± -	PRODUCT SPEC		APPLICATION SPEC
LEFT VIEW	3 P/LC ± .005			SIZE
REAR VIEW	4 P/LC ± -			CAGE CODE
ANGLES	± 0°30'			DRAWING NO
MATERIAL	FINISH	WEIGHT		A100779
				SCALE
				8:1
				SHEET 1 OF 1
				REV L3