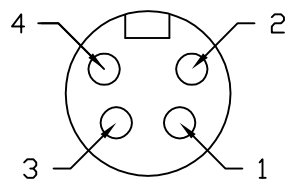
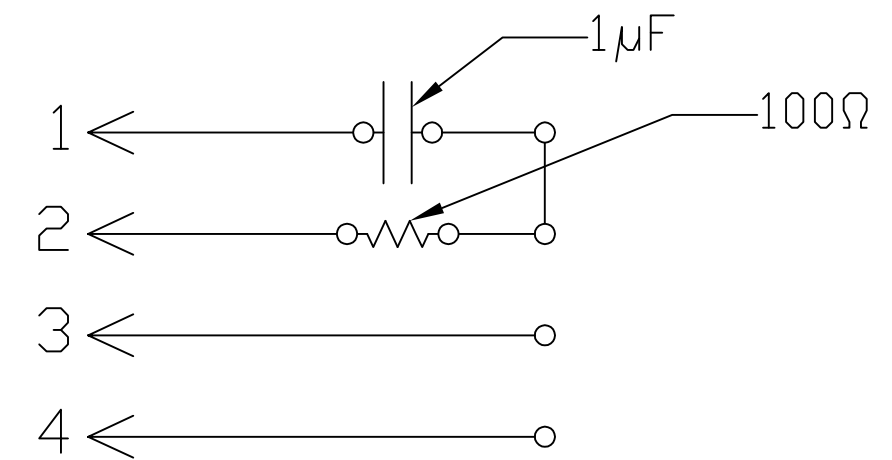
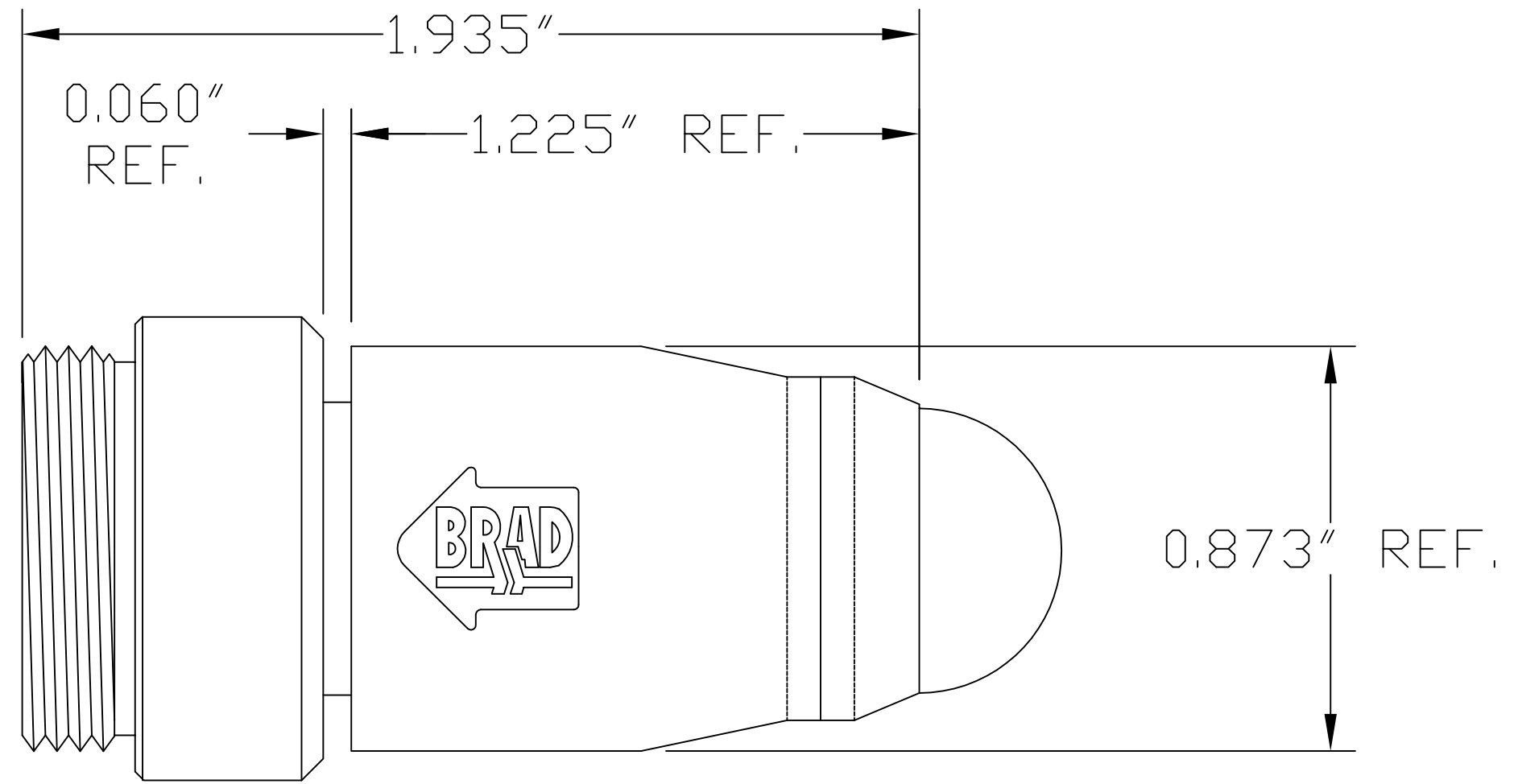
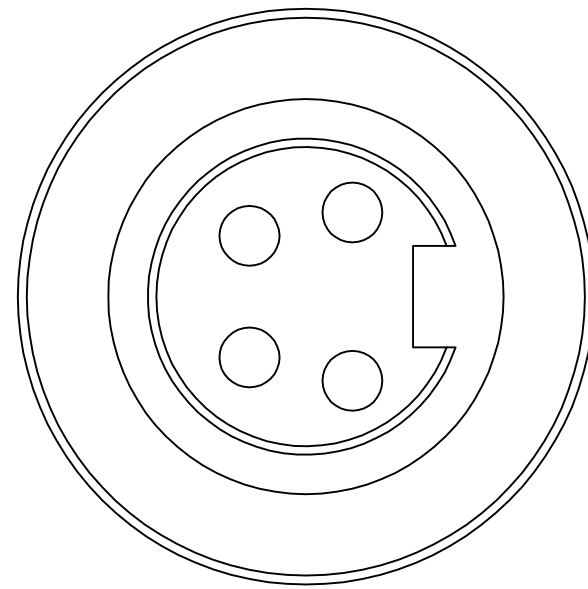


MALE FACE VIEW CONNECTIONS



- 1 CONNECTED TO CAPACITOR
- 2 CONNECTED TO RESISTOR
- 3 NO CONNECTION
- 4 NO CONNECTION



WIRING SCHEMATIC

NOTES:

MATERIALS:

MOLDED BODY: BLACK PVC
 COUPLER: STAINLESS STEEL OR NI PLATED BRASS
 CONTACTS: GOLD/NICKEL OVER COPPER ALLOY
 INSERT: BLACK PVC

ELECTRICAL:

CURRENT RATING: 1AMP MAX
 VOLTAGE RATING: 50V

MECHANICAL:

TEMPERATURE RANGE: 0° TO 60°C
 INGRESS PROTECTION: IP 67

AGENCY CERTIFICATIONS:

AGENCY: CSA PENDING

MATERIAL NUMBER RERERENCE:

MATERIAL NUMBER	ENGINEERING NUMBER	COUPLER STYLE
1300460004	104006FF8	HEX - 316 STAINLESS STEEL
1300460002	104006FF	KNURLED - NI PLATED BRASS

UPDATE PER JM EC NO: WNA2009-0313 DRWN: LHARTMAN 2008/10/27 CH'KD: VOU 2008/11/07 APPR: JFMURPHY 2008/11/10	QUALITY SYMBOL	GENERAL TOLERANCES (UNLESS SPECIFIED)		DIMENSION STYLE		SCALE	DESIGN UNITS	THIRD ANGLE PROJECTION
	▼=0	mm	INCH	----		1:1	INCH	
	∇=0	4 PLACES	±----	±----	DRAWN BY	DATE	TITLE	
		3 PLACES	±----	±----	LHARTMAN	2008/10/27	MINI-CHANGE TERMINATOR 4 POLE MALE	
		2 PLACES	±----	±----	CHECKED BY	DATE		
	1 PLACE	±----	±----	VOU	2008/10/27			
		ANGULAR ±1°		APPROVED BY	DATE	MOLEX INCORPORATED		
		DRAFT WHERE APPLICABLE MUST REMAIN WITHIN DIMENSIONS		JFMURPHY	2008/10/27	SD-130046-007		
				MATERIAL NO.		SEE TABLE		
				SIZE		THIS DRAWING CONTAINS INFORMATION THAT IS PROPRIETARY TO MOLEX INCORPORATED AND SHOULD NOT BE USED WITHOUT WRITTEN PERMISSION		
				C		SHEET NO. 1 OF 1		