

# Lighting Controls

DATE: \_\_\_\_\_ LOCATION: \_\_\_\_\_

TYPE: \_\_\_\_\_ PROJECT: \_\_\_\_\_

CATALOG #: \_\_\_\_\_

## LIGHTHAWK NIGHT LIGHT PASSIVE INFRARED WALL SWITCH SENSOR WALL SWITCH OCCUPANCY SENSORS

### FEATURES

- Digital passive infrared (PIR) sensor
- IntelliDAPT® self-adaptive technology - no manual adjustment required
- Single relay model for on/off switching
- Occupancy (Auto-ON) and Vacancy (Manual-ON) operating modes
- Night light mounted under lens
- RhinoTuff™ vandal resistant lens
- Zero Arc Point Switching
- 120/277VAC and 347VAC models



### SPECIFICATIONS

#### CONSTRUCTION

- Casing- high- impact injection-molded plastic (UL-94-5V)
- Impact-resistant lens
- Color-coded leads are 6" (152.4mm) long
- Wrap-around galvanized steel mounting strap
- 4.2" H x 1.8" W x 1.75" D; .37" extension (106.69mm H x 44.45mm D; 9.40mm extension)
- 2.9 oz. (82.21g)
- White
- Dual-element pyrometer and 12-element cylindrical RhinoTuff lens

#### MOUNTING

- Single-gang NEMA-style switch box (standard switch box)
- Decorator-style wall plate sold separately

#### ELECTRICAL

- 120/277VAC; 50/60Hz
- 347VAC; 50/60Hz

#### ELECTRICAL CONTINUED

- 24VDC (requires UVPP)
- 120VAC: 800W Incandescent/Electronic Ballast/LED Driver: 1,000W Magnetic Ballast, 1/6 HP Motor
- 277VAC: 1,800W Magnetic Ballast/Electronic Ballast/LED Driver: 1/6 HP Motor
- 347VAC: 1,500W Magnetic Ballast/Electronic Ballast/LED Driver: 1/6 HP Motor

#### OPERATION

- IntelliDAPT
  - Self-adjusting timer
  - Self-adjusting Ultrasonic (US) and passive infrared (PIR) sensitivity
  - Automatic false-on/false-off corrections
  - No manual adjustments required
- Coverage
  - 1,000 square-foot, 180° coverage area
  - Natural light override range: 10-500 foot-candles

#### OPERATION CONTINUED

- Timer Settings
  - Auto mode: 4-30 minutes; self-adjusts based on occupancy
  - Fixed mode: 4, 8, 15 and 30 minutes
  - Test mode: 5 seconds

#### OPERATING ENVIRONMENT

- Indoor use only
- Operating temperature: 32° to 104°F (0° to 40°C)
- Relative humidity (non-condensing): 0% to 95%

#### CERTIFICATIONS

- UL and cUL listed
- California Title 24 compliant

#### WARRANTY

- 5 year warranty

### ORDERING GUIDE

Example: LHN-IRS1-N-WH

CATALOG #

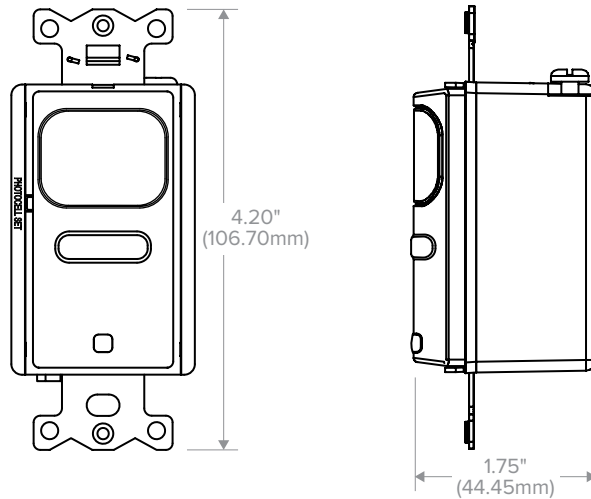
Model	Buttons	Wiring	Color	Mode
LHN-IRS LightHAWK Night Light Passive Infrared Single Relay	1	N Neutral (120/277V)	WH White	Blank Switchable Vacancy or Occupancy Mode

# Lighting Controls

## LIGHTHAWK NIGHT LIGHT PASSIVE INFRARED WALL SWITCH SENSOR

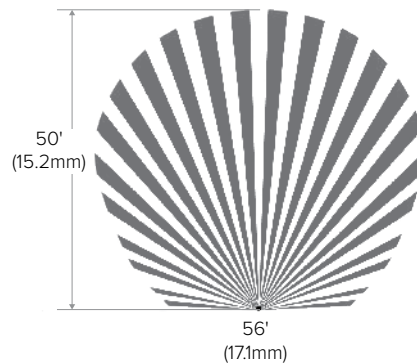
WALL SWITCH OCCUPANCY SENSORS

### DIMENSIONS



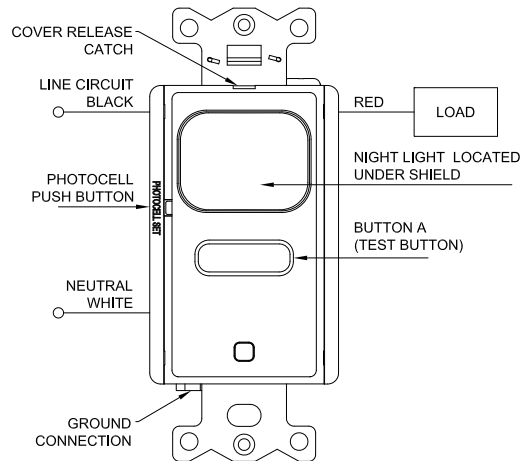
### ADDITIONAL INFORMATION

#### Coverage Pattern



IR Motion

#### Wiring Diagram



Single Load Wiring