

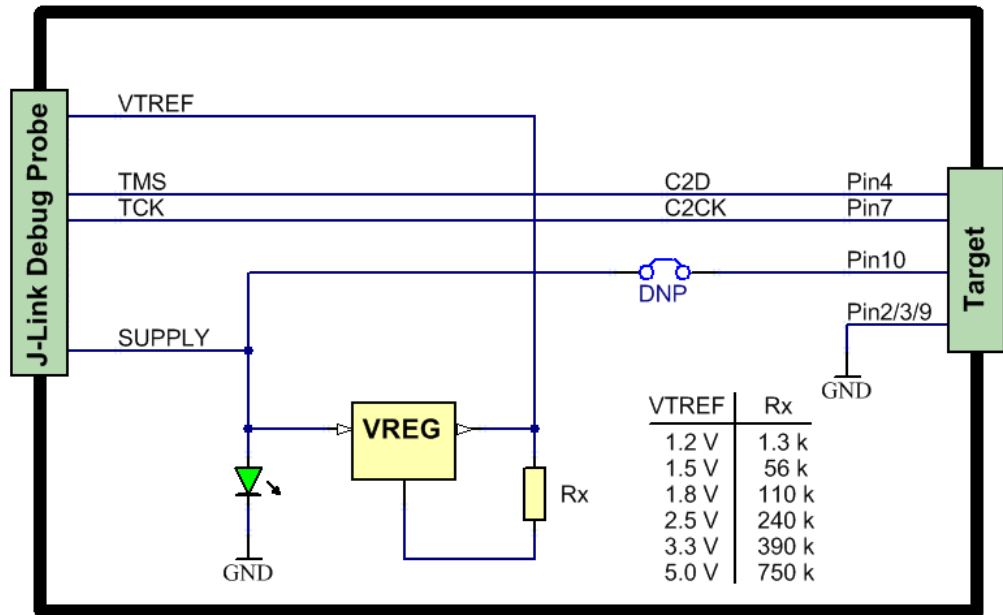
[J-Link Debug Probes](#) [Adapters](#) [SiLabs C2 Adapter](#)

J-Link SiLabs C2 Adapter

The J-Link SiLabs C2 Adapter allows debug connections between J-Link and target hardware which comes with Silicon Labs C2 debug interface. It adapts from the 20-pin 0.1" standard debug connector to a 10-pin 0.1" connector pinout compatible with Silicon Labs eval boards.

Since V_{TRef} is not present on all eval boards, it is provided by the J-Link SiLabs C2 Adapter. Default V_{TRef} voltage is 3.3 V. For increased flexibility other target voltages in the range from 1.2 V to 5.0 V can be generated by replacing a single resistor on the adapter.

The J-Link SiLabs C2 Adapter is compatible with [J-Link](#), [J-Link PRO](#), [J-Link ULTRA+](#) and [J-Link PLUS](#).



Block diagram of the J-Link SiLabs C2 Adapter