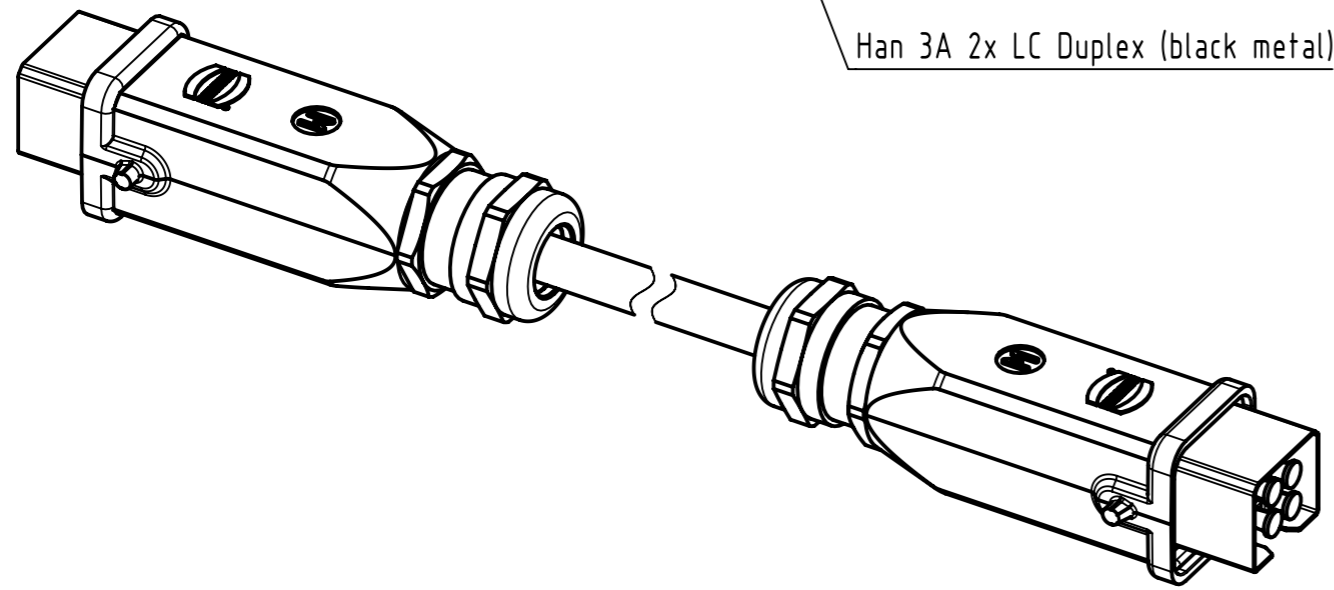
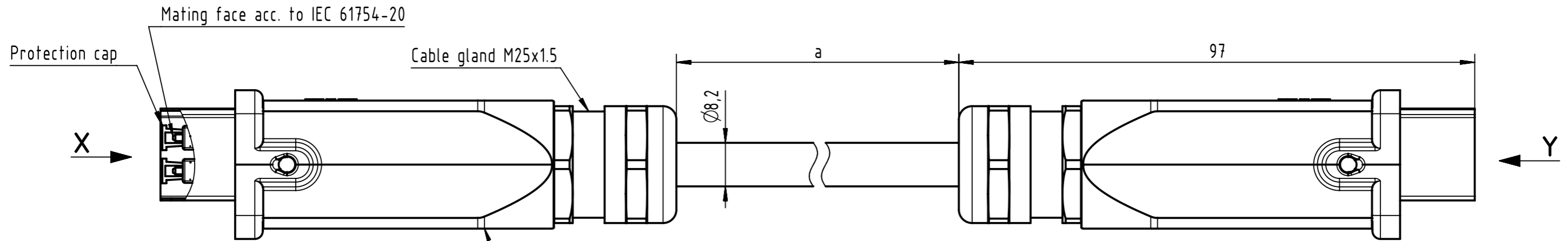


Connector Location A

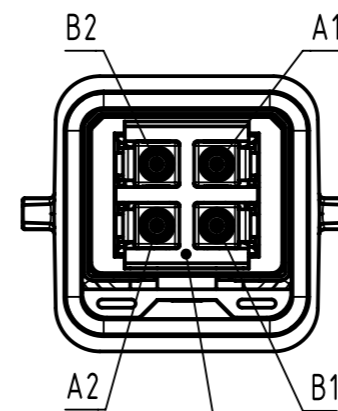
Connector Location B



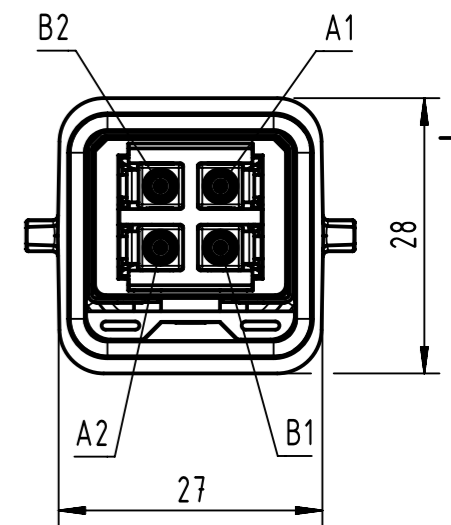
X
male
(without protection cap)

Loading Plan

Y
male
(without protection cap)



A1	grey 1 (interior turquoise)	B2
B1	grey 2 (interior white)	A2
A2	grey 3 (interior white)	B1
B2	grey 4 (interior white)	A1



Insert Han 3A-LC

-Protection level: IP65/67
-Temperature range: -20°C ... +60°C

FO Cable, MM, 4-channel,
4G50, FRNC, Ø8.2 black

15	3354211300002		300 ±3
14	3354211150002		150 ±1.5
13	3354211100002		100 ±1
12	3354211080002		80 ±0.8
11	3354211060002		60 ±0.6
10	3354211050002		50 ±0.5
9	3354211040002		40 ±0.4
8	3354211025002		25 ±0.25
7	3354211020002		20 ±0.2
6	3354211015002		15 ±0.15
5	3354211013002		13 ±0.13
4	3354211010002		10 ±0.1
3	3354211005002		5 ±0.05
2	3354212015002		1.5 ±0.03
1	3354211001002		1 ±0.03
Cont. no.	Part no.	Type of cable	Dim. a[m]

	All rights reserved Department HCS - RO	Created by BANIUD Banciu	Inspected by 402676 Gross	Standardisation COSTEA Costea	Date 2022-10-13	State Final Release
		Title Han 3A LC Cable Assembly			Doc-Key / ECM-Nr. 100178844/UGD/010/G 500000227653	
HARTING Customised Solutions D-32339 Espelkamp		Type TB	Number 335421XXXX0002		Rev. G	Page 1/1