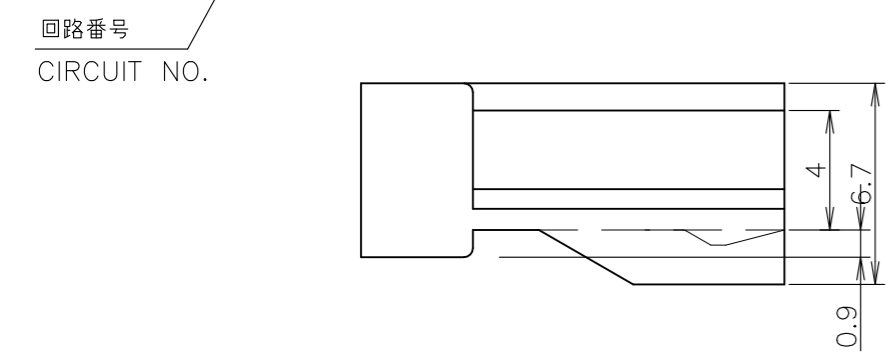
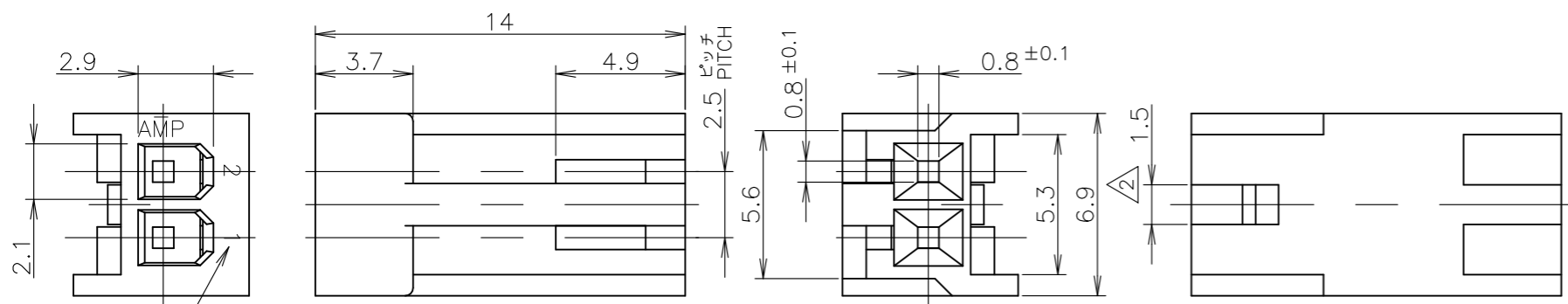
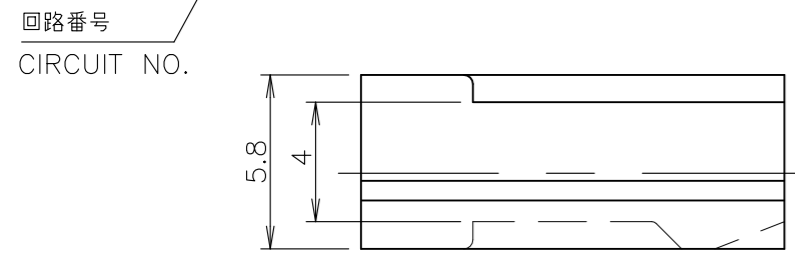
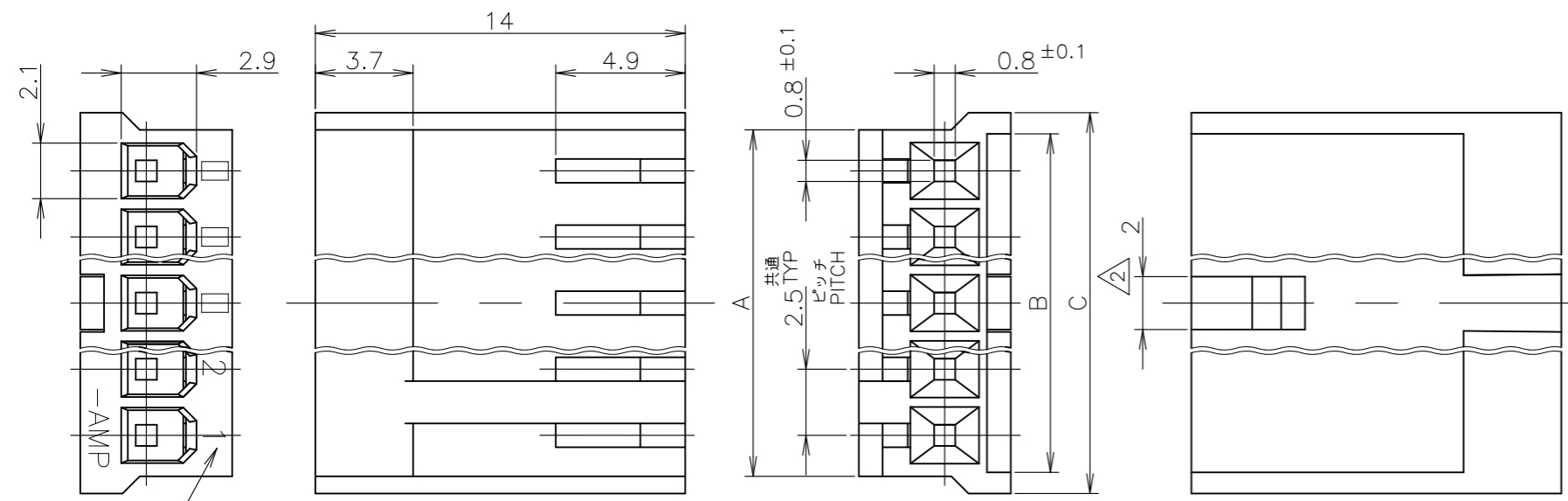


© - TE Connectivity. All Rights Reserved.

REVISIONS
変更

P	LTR	DESCRIPTION	DATE	DWN	APVD
	L3	REVISE ECN-22-184920	25NOV	J.J	H.L



- 1 使用するコンタクトは 170262 又は 170263.
- △2 ロッキング凸部位置は長手方向の中央。
- 1 CONTACTS, 170262 & 170263 ARE USED.
- △2 LOCKING PROTRUSION IS PLACED ON THE CENTER OF HOUSING.

OBSOLETE	C			極数 (POS)	型番 (PART NUMBER)		
	C	B	A		赤色 (RED)	緑色 (GREEN)	
	39.4	37.8	38.1	15	9-171822-5	7-171822-5	
	36.9	35.3	35.6	14	9-▲-4	7-▲-4	
	34.4	32.8	33.1	13	9-▲-3	7-▲-3	
	29.4	27.8	28.1	11	9-▲-1	7-▲-1	
	31.9	30.3	30.6	12	9-▲-2	7-▲-2	
	26.9	25.3	25.6	10	9-▲-0	7-▲-0	
	24.4	22.8	23.1	9	8-▲-9	6-▲-9	
	21.9	20.3	20.6	8	8-▲-8	6-▲-8	
	19.4	17.8	18.1	7	8-▲-7	6-▲-7	
	16.9	15.3	15.6	6	8-▲-6	6-▲-6	
	14.4	12.8	13.1	5	8-▲-5	6-▲-5	
	11.9	10.3	10.6	4	8-▲-4	6-▲-4	
	9.4	7.8	8.1	3	8-▲-3	6-▲-3	
	-図示- SHOWN			2	8-171822-2	6-171822-2	

OBSOLETE	C			極数 (POS)	型番 (PART NUMBER)		
	C	B	A		青色 (BLUE)	黒色 (BLACK)	自然色 (NATURAL)
	39.4	37.8	38.1	15	5-171822-5	3-171822-5	1-171822-5
	36.9	35.3	35.6	14	5-▲-4	3-▲-4	1-▲-4
	34.4	32.8	33.1	13	5-▲-3	3-▲-3	1-▲-3
	29.4	27.8	28.1	11	5-▲-1	3-▲-1	1-▲-1
	31.9	30.3	30.6	12	5-▲-2	3-▲-2	1-▲-2
	26.9	25.3	25.6	10	5-▲-0	3-▲-0	1-▲-0
	24.4	22.8	23.1	9	4-▲-9	2-▲-9	
	21.9	20.3	20.6	8	4-▲-8	2-▲-8	
	19.4	17.8	18.1	7	4-▲-7	2-▲-7	
	16.9	15.3	15.6	6	4-▲-6	2-▲-6	
	14.4	12.8	13.1	5	4-▲-5	2-▲-5	
	11.9	10.3	10.6	4	4-▲-4	2-▲-4	
	9.4	7.8	8.1	3	4-▲-3	2-▲-3	
	-図示- SHOWN			2	4-171822-2	2-171822-2	171822-2

GENERAL TOLERANCE
一般公差

10 ≥ : ±0.2
30 ≥ > 10: ±0.25
100 ≥ > 30: ±0.3
ANGLES: ±3°

THIS DRAWING IS A CONTROLLED DOCUMENT.

DIMENSIONS: 単位: 耗 mm

TOLERANCES UNLESS OTHERWISE SPECIFIED: 一般公差

0 PLC ±-
1 PLC ±-
2 PLC ±-
3 PLC ±-
4 PLC ±-
ANGLES ±-

MATERIAL 材料: 66 NYLON (UL94-0)

FINISH 仕上

DWN H.HOSHINO 12JUN97
CHK J.TANIGAWA 12JUN97
APVD S.KUBOUCHI 03OCT97

NAME 名称: HOUSING AMP EI SERIES CONNECTOR

PRODUCT SPEC 製品規格: 108-5118

APPLICATION SPEC 取付適用規格

WEIGHT 0.000000

SIZE A3 CAGE CODE 00779 DRAWING NO. 番号 C-171822

RESTRICTED TO

CUSTOMER DRAWING

SCALE 尺度 4:1 SHEET 1 OF 1 REV L3