

D-Sub Full Metal, Top cable entry, Jackscrews with Black plastic knob.

TECHNICAL SPECIFICATIONS

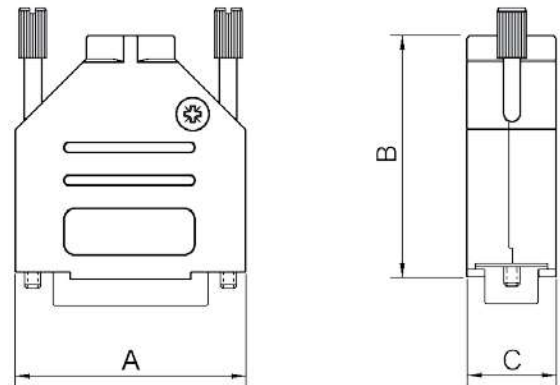
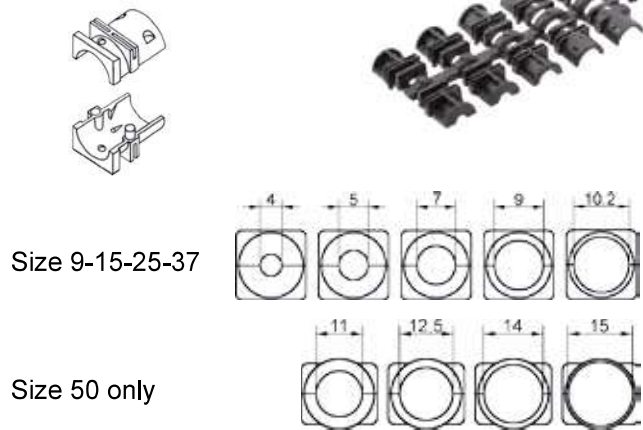
Material: Zinc, Nickel Plated
 Operating Temperature: -40°C to +120°C
 Cable Entry: Top Entry
 Thumbscrews: UNC 4-40 (Standard)
 M2,5 or M3 on request
 Cable O.D: Up to 11,5mm (Size 9-37)
 Up to 17mm (Size 50)

Features:

- Available in sizes 9-15-25-37-50
- Size 50 equipped with extra cable clamp
- Excellent EMI Shielding
- Re-openable
- Strain relief inserts ensure a secure termination
- Jackscrew with Black Plastic Knob as standard. Grey Plastic Knob or Full Metal Jackscrews available on Request.
- Also available with Metalized (RAHI) grommets



Grommet Sizes:



Size DTZK	Dim A	Dim B	Dim C
9-way	31,0	39,5	15,0
15-way	39,5	41,5	15,0
25-way	53,5	48,5	15,0
37-way	71,0	53,0	15,0
50-way	67,5	54,0	18,7

Ordering information:

Size:	P/N - Kitted:	Product Code:
9-way	6560-3105-01	DTZK09-PCBK-K
15-way	6560-3105-02	DTZK15-PCBK-K
25-way	6560-3105-03	DTZK25-PCBK-K
37-way	6560-3105-04	DTZK37-PCBK-K
50-way	6560-3105-05	DTZK50-PCBK-K

Size:	P/N - BULK:	Product Code:
9-way	6561-3105-01	DTZK09-PCBK
15-way	6561-3105-02	DTZK15-PCBK
25-way	6561-3105-03	DTZK25-PCBK
37-way	6561-3105-04	DTZK37-PCBK
50-way	6561-3105-05	DTZK50-PCBK



Encitech Connectors AB
 Rörkullsvägen 4
 SE-302 41 HALMSTAD, Sweden

Tel: +46-(0)35-15 13 90
 e-mail: connectors@encitech.com

www.encitech.com