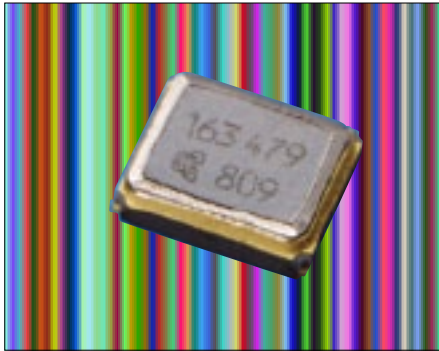


Temperature Compensated Crystal Oscillators (TCXO) Surface Mount Type TCXO (LSI Type) KT2016 Series



2.0×1.6mm



RoHS Compliant

Features

- Miniature SMD type (2.0×1.6×0.8mm)
- AFC function available
- Freq. temp. characteristics: $\pm 2.0 \times 10^{-6}/-30$ to $+85^\circ\text{C}$
- 1.68 to 3.45V drive available
- Reflow compatible

Applications

- 3G (CDMA, W-CDMA, TD-SCDMA), GPRS, GSM, W-LAN, WiMAX

How to Order

KT2016A 26000 D C W 28 T xx
① ② ③ ④ ⑤ ⑥ ⑦ ⑧

① Series

② Output Frequency

③ Freq. Temp. Chrst.

B	$\pm 1.0 \times 10^{-6}$
C	$\pm 1.5 \times 10^{-6}$
D	$\pm 2.0 \times 10^{-6}$

④ Lower Operating Temp.

C	-30°C
E	-20°C
G	-10°C

⑤ Upper Operating Temp.

W	$+85^\circ\text{C}$
V	$+80^\circ\text{C}$
U	$+75^\circ\text{C}$

⑥ Supply Voltage

28	2.8V	30	3.0V
----	------	----	------

⑦ Voltage Control Range

T	TCXO
Other*	VCTCXO

* Customer Spec.

⑧ Option Code

Packaging (Tape & Reel 4000 pcs./ reel)

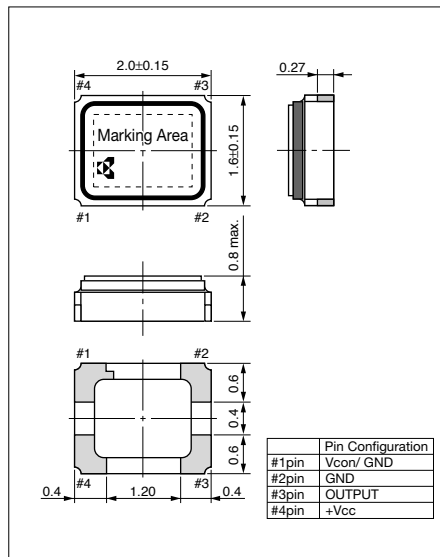
Specifications

Item	Symbol	Conditions	Min.	Max.	Units
Output Frequency Range	f_o	Standard Frequency: 13, 19.2, 26, 38.4, 52	13	52	MHz
Frequency Tolerance	f_{tol}	vs Temperature	-2	+2	$\times 10^{-6}$
		vs Load	-0.1	+0.1	
		vs Voltage	-0.2	+0.2	
Frequency Aging	f_{age}	Per Year	-1	+1	$\times 10^{-6}$
Storage Temperature Range	T_{stg}		-40	+85	$^\circ\text{C}$
Operating Temperature Range	T_{use}		-30	+85	$^\circ\text{C}$
Voltage Control Range	f_{cont}	Positive	± 8	± 15	$\times 10^{-6}$
Supply Voltage	V_{CC}		1.68	3.45	V
Output Level	V_{pp}	Clipped Sine*, Load: 10k ohm // 10pF	0.8	—	Vp-p
Current Consumption	I_{CC}		—	2	mA
Harmonics	—		—	-5	dBc

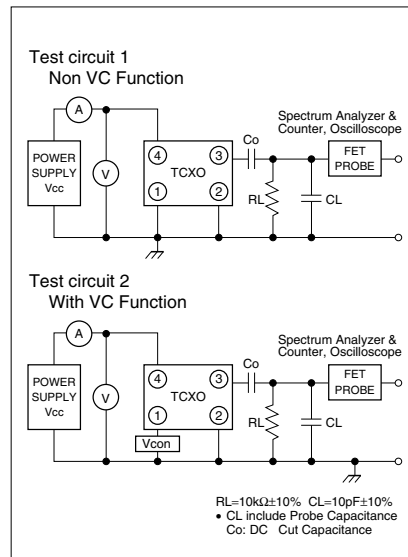
* : A DC-cut capacitor is not embedded in this crystal oscillator. Connect a DC-cut capacitor ($\geq 1\text{nF}$) to the line-out terminal of the oscillator.

Dimensions

(Unit: mm)



Test Circuit



Recommended Land Pattern

(Unit: mm)

