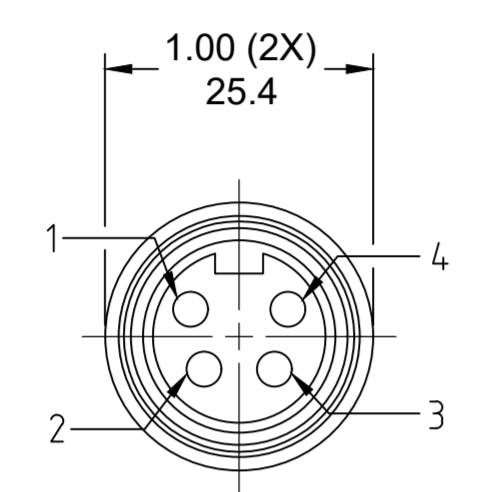


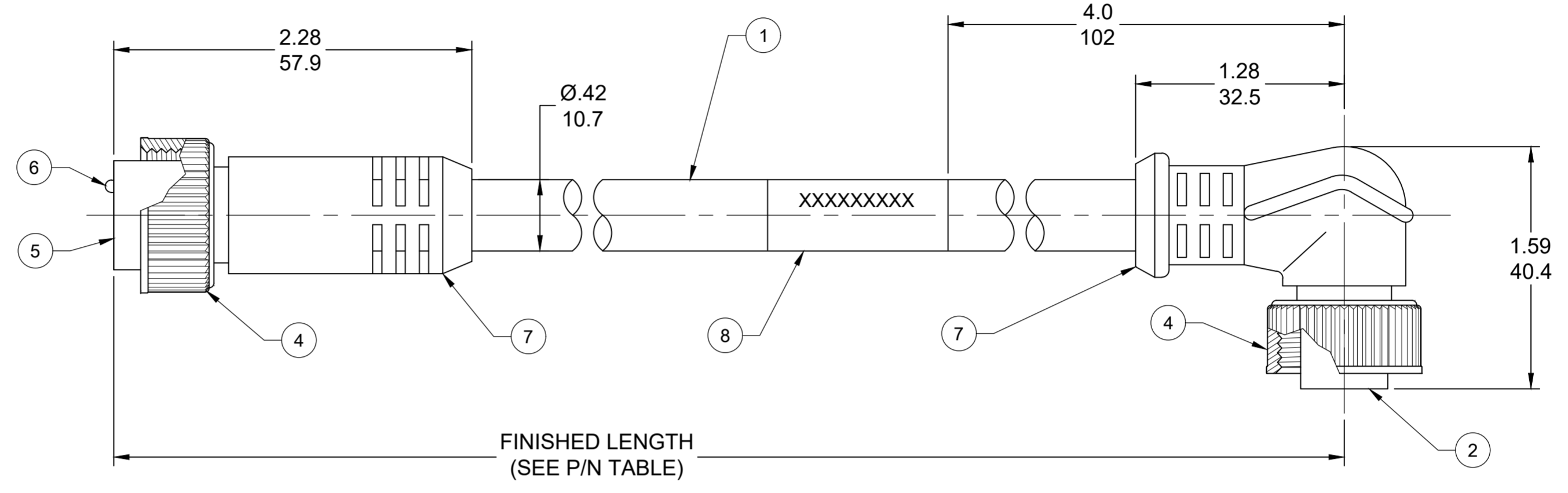
PART NO.	ENGINEERING NO.	FINISHED LENGTH
1300100638	114021A01F030	3.0 FT [0.9M]
1300100640	114021A01F060	6.0 FT [1.8M]
1300100646	114021A01F120	12.0 FT [3.7M]

CABLE LENGTH TOLERANCES	
>.3M [1FT]:	+19mm-0 [+.75in-0]
.3 - .9M [1 - 3FT]:	+44.5mm-0 [+1.75in-0]
.9 - 1.8M [3 - 6FT]:	+55.6mm-0 [+2.19in-0]
1.8 - 3.7M [6 - 12FT]:	+88.9mm-0 [+3.50in-0]
3.7 - 7.3M [12 - 24FT]:	+165.1mm-0 [+6.50in-0]
7.3-14.6M [24 - 48FT]:	+317.5mm-0 [+12.50in-0]
14.6 - 30.5M [48-100FT]:	+622.3mm-0 [+24.50in-0]
OVER 30M [100FT]	+2% OF FINISHED LENGTH



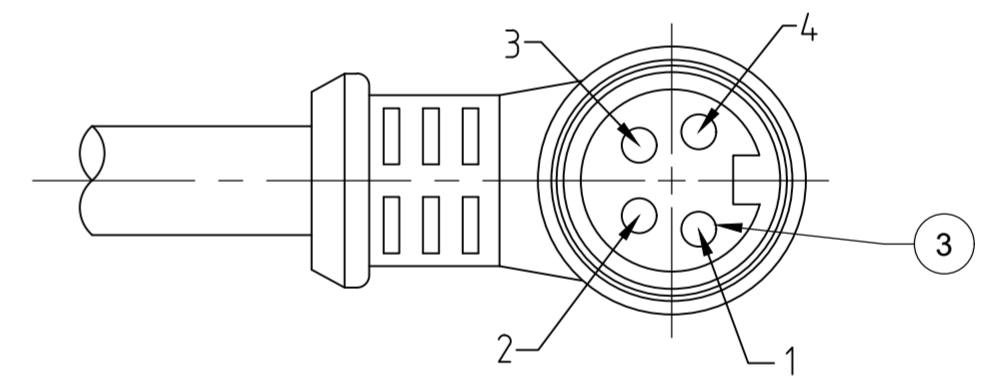
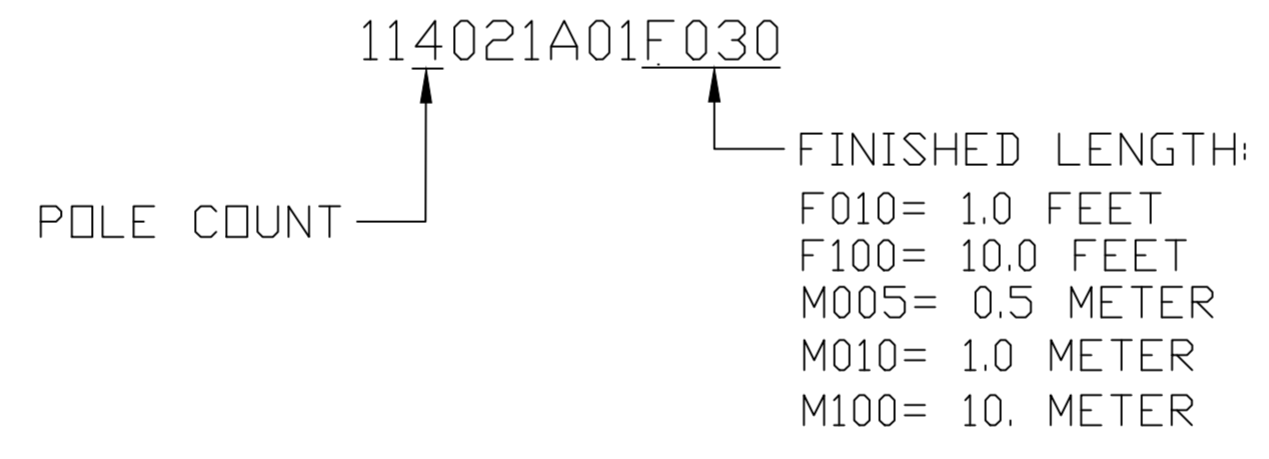
FACE VIEW-MALE INSERT

- 1-BLACK
- 2-WHITE
- 3-RED
- 4-GREEN/YELLOW



- NOTES:**
- MATERIAL: AS NOTED
 - FINISH: AS NOTED
 - ELECTRICAL:
VOLTAGE: 483V PER IEC 60664
600V PER UL 2238
CURRENT: 10A
 - TEMP RATING: -20°C TO +105°C
 - PROTECTION: IP67 (WHEN MATED)
 - COUPLING THREAD: 7/8-16 UN
 - UL RECOGNIZED FILE: E152210
CSA FILE: LR6837
 - ALL DIMS ARE FOR REFERENCE UNLESS TOLERANCED OR NOTED OTHERWISE

PART NUMBER LEGEND



FACE VIEW-FEMALE INSERT

- 1-BLACK
- 2-WHITE
- 3-RED
- 4-GREEN/YELLOW

PRE-RELEASE
REFERENCE
USE ONLY

ITEM	DESCRIPTION	MATERIAL	FINISH
8	FLAG LABEL	VINYL	BLACK/YELLOW
7	OVERMOLD	TPE	YELLOW
6	CONTACT PIN	COPPER ALLOY	GOLD PLATED
5	MALE INSERT (A-SIZE)	TPE	YELLOW
4	COUPLING, INT. THRD	ZINC DIE-CAST	BLACK
3	CONTACT SOCKET	COPPER ALLOY	GOLD PLATED
2	FEMALE INSERT (A-SIZE)	TPE	YELLOW
1	CABLE, 16AWG (ST00W)	PVC JACKET	YELLOW
ITEM	DESCRIPTION	MATERIAL	FINISH

SYMBOLS		THIS DRAWING CONTAINS INFORMATION THAT IS PROPRIETARY TO MOLEX ELECTRONIC TECHNOLOGIES, LLC AND SHOULD NOT BE USED WITHOUT WRITTEN PERMISSION		CURRENT REV DESC: RELEASED	
∇ = 0	4 PLACES ±----	DIMENSION UNITS	SCALE	EC NO: ----	DRWN: RSTONE 2019/10/22
∇ = 0	3 PLACES ±----	INCH/MM	1:1	CHK'D: MZIELINSKI 2019/10/31	APPR: ----
∇ = 0	2 PLACES ±----	GENERAL TOLERANCES (UNLESS SPECIFIED)		INITIAL REVISION:	
∇ = 0	1 PLACE ±----	mm	INCH	DRWN: RSTONE 2019/10/22	APPR: ----
∇ = 0	0 PLACES ±----	ANGULAR TOL ± ---- °		THIRD ANGLE PROJECTION	
∇ = 0		DRAFT WHERE APPLICABLE MUST REMAIN WITHIN DIMENSIONS		DRAWING	SERIES
∇ = 0				C-SIZE	130010
DOCUMENT STATUS		RV	RELEASE DATE	2019/10/31	22:20:46
DOCUMENT NUMBER		DOC TYPE	DOC PART	REVISION	
1300100638		PSD	000	1	
MATERIAL NUMBER		CUSTOMER	SHEET NUMBER		
----		----	1 OF 1		