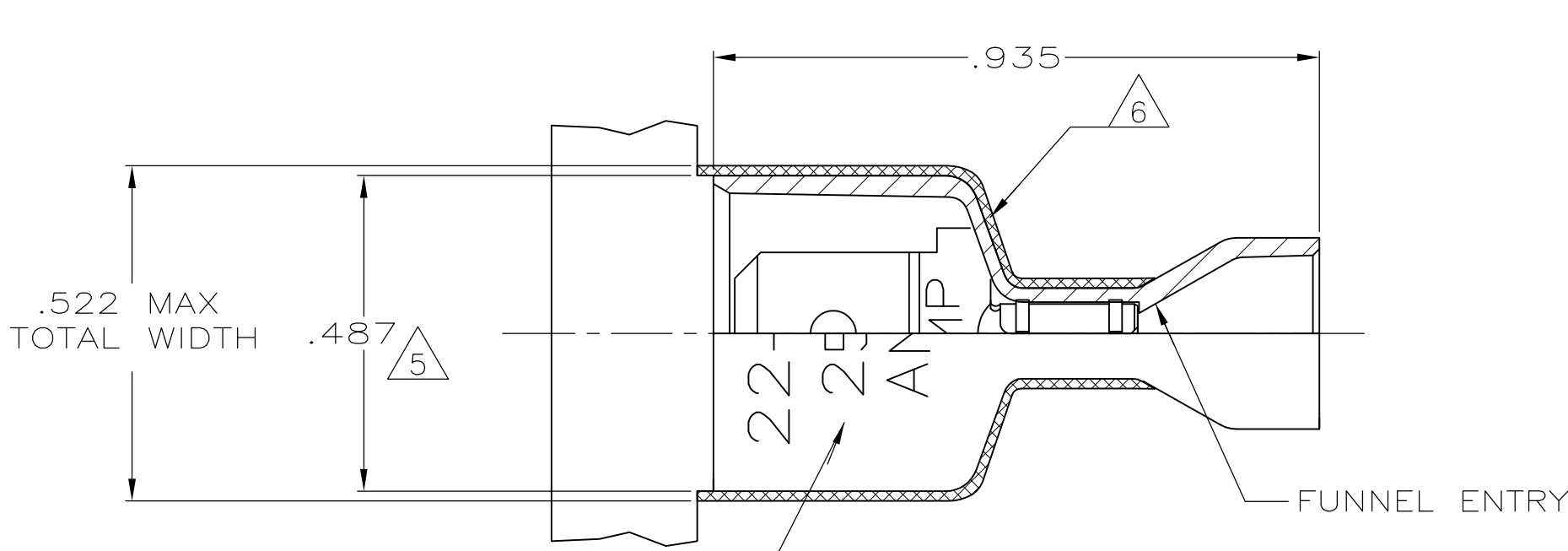
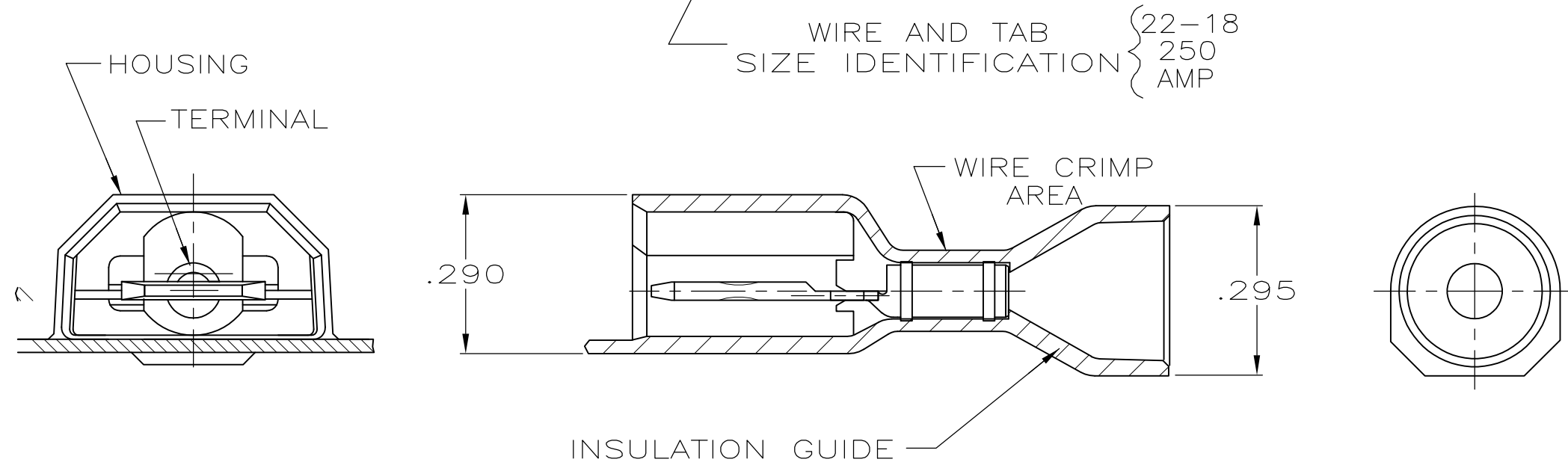


THIS DRAWING IS UNPUBLISHED. RELEASED FOR PUBLICATION  
 © COPYRIGHT - By - ALL RIGHTS RESERVED.

LOC	DIST	REVISIONS			
P	LTR	DESCRIPTION	DATE	DWN	APVD
AF	50				
	D	REVISED PER ECR-13-004343	30JUL13	KH	KR



- 1 TAB DIMENSIONS  $.032^{+.001}_{-.002}$  x .250
- 2 WIRE STRIP LENGTH .281
- 3 INSULATION SIZE .230 MAX DIA
- 4 CONTINUOUS STRIP ON REELS
- △5 DIMENSION DOES NOT INCLUDE TRIM BURR
- △6 .015 MAX CARRIER TRIM BURR PER SIDE IS ALLOWABLE IN THE SHADED AREA



HOUSING: NYLON, COLOR-RED TRANSLUCENT TAB: BRASS, TIN	2-521144-2
MATERIAL & FINISH	PART NO

THIS DRAWING IS A CONTROLLED DOCUMENT.		DWN	JR RUTH	4/17/97	<b>STE</b> TE Connectivity	TAB ASSEMBLY, LID, ULTRA-FAST, .250 SERIES, 22-18 AWG
DIMENSIONS: INCHES 		CHK	MS FEHER	4/17/97		
		APVD	J WORMAN	4/17/97		
MATERIAL		PRODUCT SPEC		NAME		
SEE TABLE		108-2017		114-2123		
FINISH		APPLICATION SPEC		RESTRICTED TO		
SEE TABLE		114-2123		-		
		WEIGHT		-		
		CUSTOMER DRAWING		SCALE 4:1		
		SIZE A3		CAGE CODE 00779		
		DRAWING NO C-521144		SHEET 1 OF 1		
				REV D		