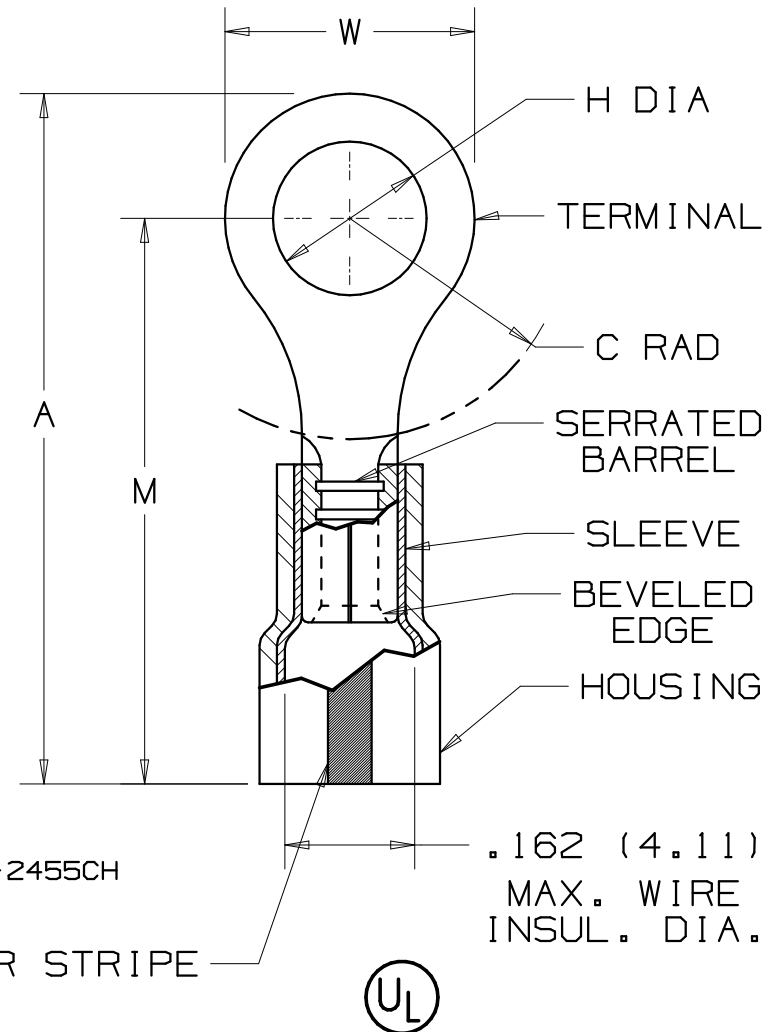


PANDUIT PART NUMBER	STUD SIZE	DIMENSIONS in.				
		A ±.04	W ±.01	C ±.02	M ±.04	H ±.01
PK14-4R	#4	.78 (19.81)	.25 (6.35)	.22 (5.59)	.66 (16.76)	.12 (3.05)
PK14-6R	#6	.87 (22.10)	.31 (7.87)	.29 (7.37)	.71 (18.03)	.15 (3.81)
PK14-8R	#8	.87 (22.10)	.31 (7.87)	.29 (7.37)	.71 (18.03)	.17 (4.32)
PK14-10R	#10	.87 (22.10)	.31 (7.87)	.29 (7.37)	.71 (18.03)	.20 (5.08)
PK14-14R	1/4"	1.08 (27.43)	.46 (11.68)	.40 (10.16)	.85 (21.59)	.27 (6.86)
PK14-56R	5/16"	1.08 (27.43)	.46 (11.68)	.40 (10.16)	.85 (21.59)	.33 (8.38)
PK14-38R	3/8"	1.15 (29.21)	.53 (13.46)	.43 (10.92)	.87 (22.10)	.39 (9.91)



NOTES:

- UL LISTED FOR:
 - A. 600V. MAX. VOLTAGE RATING
 - B. #18-14 AWG SOLID OR STRANDED COPPER WIRE
 - C. 302°F (150°C) MAX. TEMP. RATING
- MATERIAL:
 - A. STAMPING - .03" (0.76) THK COPPER, TIN PLATED
 - B. HOUSING - KYNAR INSULATED
COLOR STRIPE - BLUE
 - C. SLEEVE - BRASS, TIN PLATED
- PACKAGE QTY: -X =10, -C =100,
- DIMENSIONS IN BRACKETS ARE IN MILLIMETERS
- INSTALLATION TOOLS:
 - A. UL LISTED; CT-400, CT-460, CT-1550, CT-1551, CT-2400 W/CT-2455CH
 - B. PANDUIT APPROVED: CT-100*, CT-260*, CT-500, CT-550, CT-600
 - * FOR 16-14 AWG SOLID OR STRANDED COPPER WIRE
- WIRE STRIP LENGTH: $7/32" + \frac{1}{32}$ (5.6 ± .8)

LISTED
587H
E52164

A41298_06

PANDUIT CORP.

TINLEY PARK, ILLINOIS

#18-14 BARREL KYNAR INSULATED RING
TONGUE, .162 (4.11) MAX. WIRE
INSULATION DIAMETER

REV	DATE	BY	CHK	DESCRIPTION	ECN #	PM	CUST
06	10/06	DAW	DAW	ADDED 56R & 3/8R, ADDED -X PKG. QTY.	TR00171	TRO	LCA
--	----	--	--	REMOVED P/N'S PK14-56R & PK14-38R. ADDED CT-600 TO PANDUIT APPROVED TOOL. REMOVED BULK PACKAGING FROM NOTE 3.	-----	--	--
05	7/05	JHNU	LCA		TR00002	TRO	LCA
04	1/01	RM	SKB	FILESPEC WAS N41298AA_PCD_03	08437	CCH	JAC
03	3-00	JAMB		UPDATED TABLE DIMS COL. "A" & "M" UPDATED NOTES	08320		
02	1-96	ED	RLS	REV.S TO NOTES AND TABLE FILESPEC WAS: A41298A.PRT	03907	DRH	LA

DRAWN BY	CHK'D	SCALE	DRAWING NO.
DAW	CJH	NONE	A41298