

Over	Up to and including	Tolerance
0	1000	±20
1000	3000	±30
3000	5000	±40
5000	10000	±50
10000	15000	±100
15000	20000	±150
20000		±L/100

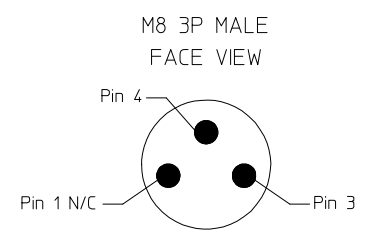
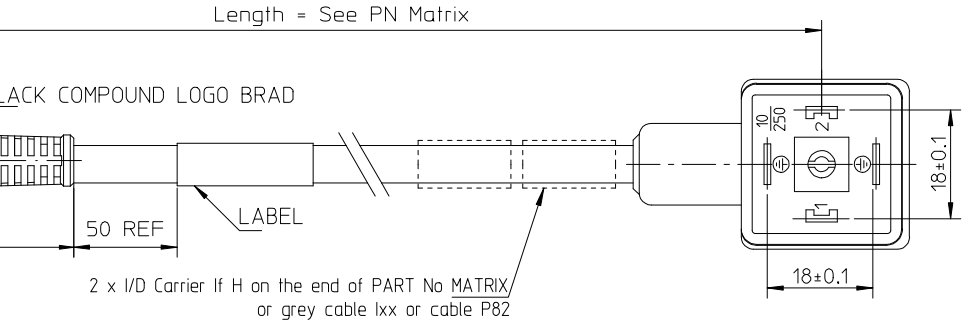
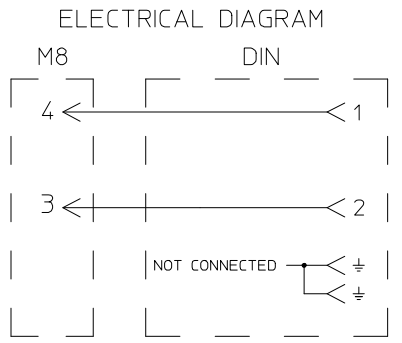
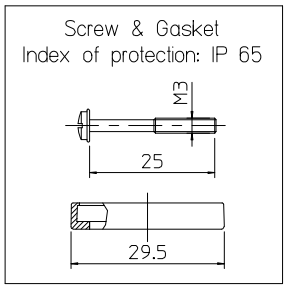
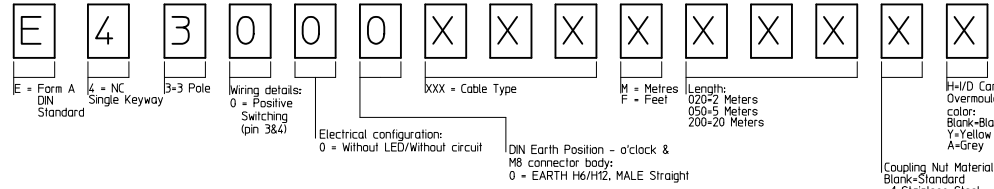


TABLE 1

MOLEX PN	Engineering No	L [mm]	Cable type
1210350203	E43000E12M015	1500	PVC Black 0.5mm²
1210350282	E43000E12M020	2000	PVC Black 0.5mm²
1210350300	E43000E12M010	1000	PVC Black 0.5mm²

PART No MATRIX



OPTIONS

ORIGINAL RELEASE EC NO: IPG2014-1462 DRWN: JMARSZALEK 2014/02/19 CHKD: MSZWAJKOWSKI 2014/03/10 APPR: MIWASIECZKO 2014/03/10	QUALITY SYMBOLS	GENERAL TOLERANCES (UNLESS SPECIFIED)	DIMENSION STYLE	SCALE	DESIGN UNITS	THIRD ANGLE PROJECTION	
	▽=0 ◻=0	mm INCH	MM ONLY	-	METRIC		
		4 PLACES ± --- ± --- 3 PLACES ± --- ± --- 2 PLACES ± --- ± --- 1 PLACE ± --- ± --- 0 PLACE ± --- ± ---	DRAWN BY DATE JMARSZALEK 2014/02/19 CHECKED BY DATE MSZWAJKOWSKI 2014/03/10 APPROVED BY DATE MIWASIECZKO 2014/03/10	TITLE	E43000XXXXXX DIN A + CORDSETS M8		
	ANGULAR ± --- °	DRAFT WHERE APPLICABLE MUST REMAIN WITHIN DIMENSIONS	MATERIAL NO. SEE TABLE 1	DOCUMENT NO. SD-121035-004	SHEET NO. 1 OF 1		
REV			SIZE A3	THIS DRAWING CONTAINS INFORMATION THAT IS PROPRIETARY TO MOLEX INCORPORATED AND SHOULD NOT BE USED WITHOUT WRITTEN PERMISSION			