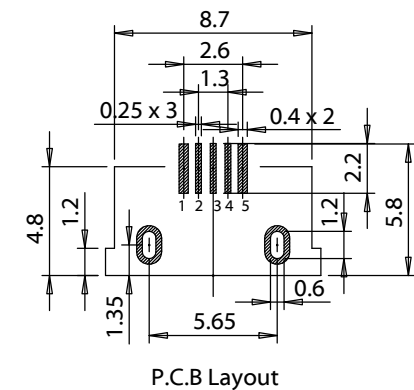


Signal Name	
1	Vcc
2	D-
3	D+
4	ID
5	GND



Revision:	Date:	Description:	Prepared:	Notes:	TENSILITY tel 1.541.323.3228 800 877.670.7118 fax 1.541.323.4202 web tensility.com
A	3/18/2021	Initial release	AG <small>Digitally signed by AG Date: 2021.06.15 14:58:48 -0700'</small>	RoHS compliant	
			Verified:	Function test: no open, no short circuit, no intermittent	Size: Part number: A 54-00279
			AW <small>Digitally signed by AW Date: 2021.06.16 13:18:13 -0700'</small>	Description:	
			Dimensions are in millimeters. Tolerances: X: ± 0.2 mm X.X: ± 0.2 mm X.XX: ± 0.2 mm	Connector, USB micro B jack, surface mount, through hole, 90°, nickel shell, IPX6 waterproof, reel	Scale: 3:1
					Sheet 1 of 2

Materials

- ① Shell, stainless steel, nickel plated
- ② Pins, phosphor bronze, gold plating
- ③ Insulator, Nylon PA9T & LCP+ 30% GF, black
- ④ Seal, Silicone Rubber, white

Electrical

Rated voltage: 30 Vdc
 Rated current: 3 A (pin 1, 5), 0.5 A (pin 2, 3, 4)
 Dielectric strength: 1 min @ 500 Vac
 Insulation resistance: 1000 MΩ min
 Contact resistance: 30 mΩ or less

Mechanical

Insertion force: 3.5 kgf maximum
 Withdrawal force: 0.8 kgf minimum
 Durability: 5000 cycle minimum
 Plug interface conforms to USB 2.0 specification

Environmental

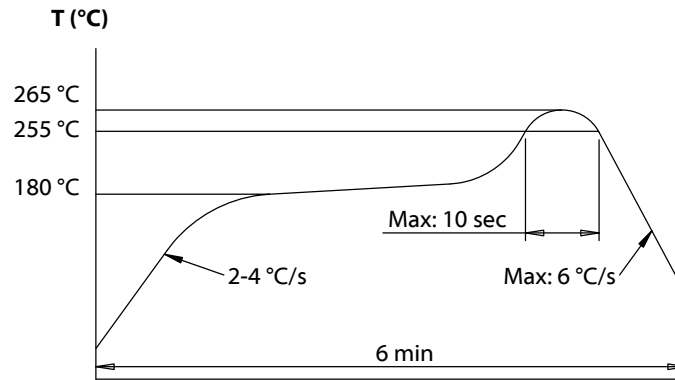
Waterproof: IPX6

Operating range

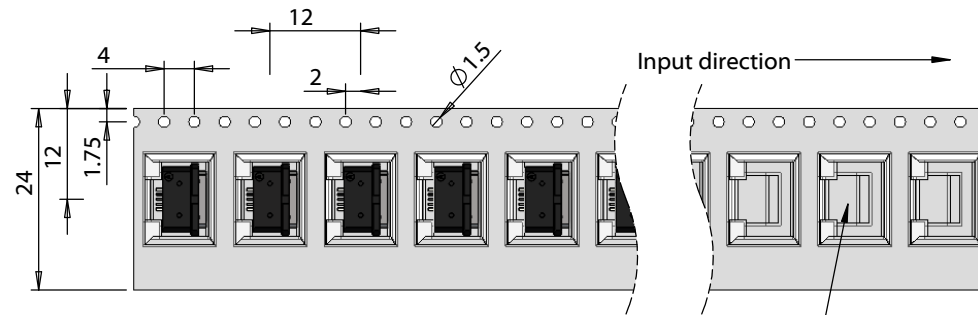
-40 ~ 85 °C

Packaging

Tape and Reel
 Silicone seal packaged separately
 1000 pieces per reel
 10 reels per carton



Reflow soldering temperature profile



20 pieces empty at beginning of reel

Revision:	Date:	Description:	Prepared:	Notes:	<h1 style="text-align: center;">TENSILITY</h1> <p style="text-align: center;">tel 1.541.323.3228 800 877.670.7118 fax 1.541.323.4202 web tensility.com</p>
A	3/18/2021	Initial release	AG <small>Digitally signed by AG Date: 2021.06.15 14:59:05 -07'00'</small>	RoHS compliant	
			Verified:	Function test: no open, no short circuit, no intermittent	
				Description: Connector, USB micro B jack, surface mount, through hole, 90°, nickel shell, IPX6 waterproof, reel	
				Size: A Part number: 54-00279 Scale: 1:1	