

CUSTOMER PRINT

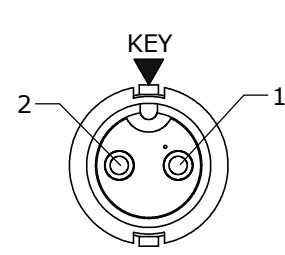
PART NUMBER: 6380-XPG-5XX

- NOTES:
1. ALL PARTS TO BE BULK PACKED
 2. CONTACTS ARE SUPPLIED UNASSEMBLED
 3. ALL DIMENSIONS ARE REFERENCE EXCEPT THOSE WITH A TOLERANCE

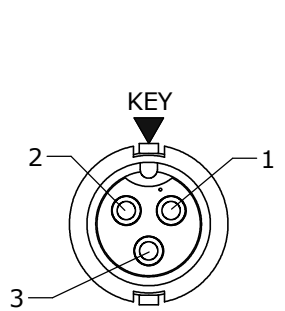
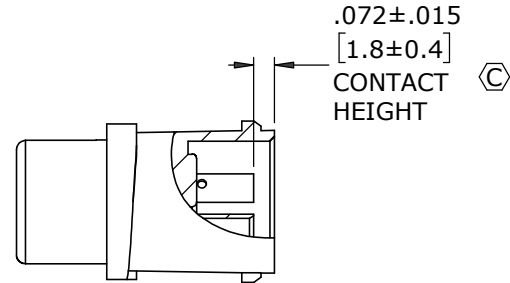
KIT P/N	GROMMET SIZE
6380-XPG-513	.148 GROMMET I.D. FOR CABLE O.D. .13-.15 [3.3-3.8mm]
6380-XPG-516	.176 GROMMET I.D. FOR CABLE O.D. .16-.18 [4.1-4.6mm]
6380-XPG-519	.206 GROMMET I.D. FOR CABLE O.D. .19-.21 [4.8-5.3mm]
6380-XPG-522	.245 GROMMET I.D. FOR CABLE O.D. .22-.25 [5.6-6.3mm]
6380-XPG-526	.265 GROMMET I.D. FOR CABLE O.D. .25-.27 [6.4-6.9mm]
6380-XPG-528	.280 GROMMET I.D. FOR CABLE O.D. .26-.285 [6.6-7.2mm]

KIT P/N	NO. OF CONTACTS
6380-2PG-5XX	2 #16
6380-3PG-5XX	3 #16
6380-4PG-5XX	4 #16
6380-XPG-5XX	

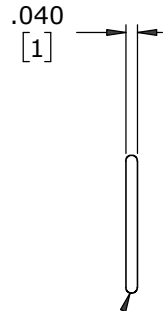
GROMMET SIZE
NO. OF CONTACTS



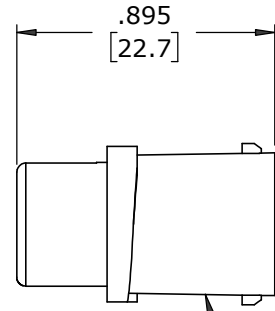
FACE VIEW
6380-2PG-5XX



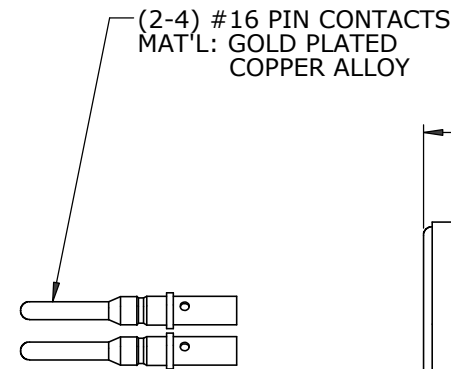
FACE VIEW
6380-3PG-5XX



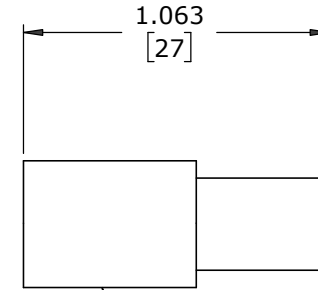
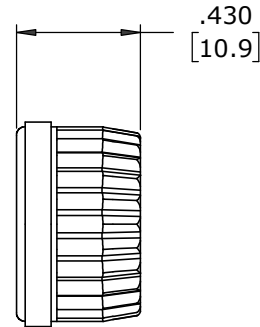
O-RING
MAT'L: RUBBER, BLACK



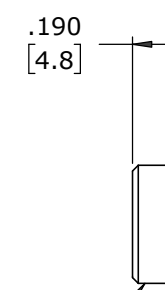
CABLE CONNECTOR, MALE
MAT'L: NYLON, BLACK



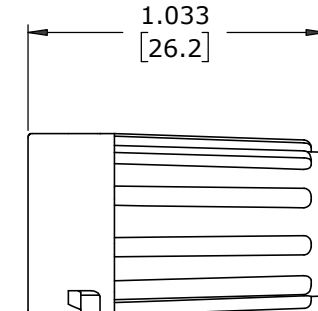
COUPLING RING
MAT'L: NYLON, BLACK



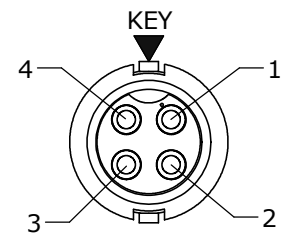
SINGLE GROMMET
MAT'L: SANTOPRENE, BLACK



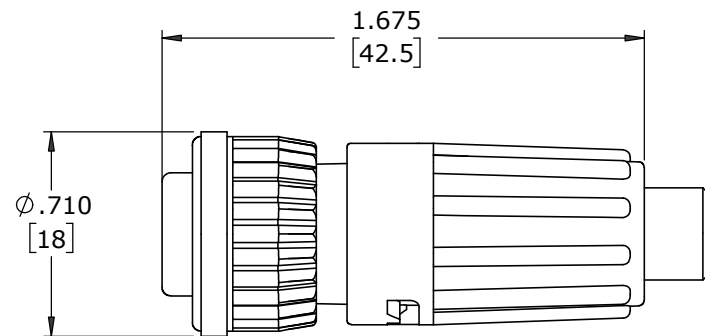
CABLE GRIP
MAT'L: POLYPROPYLENE, BLACK



BACKSHELL
MAT'L: NYLON, BLACK



FACE VIEW
6380-4PG-5XX



ASSEMBLED VIEW
FOR CUSTOMER REF.

DIMENSIONS IN BRACKETS [] ARE METRIC

CUSTOMER APPROVAL

THIS DOCUMENT CONTAINS CONFIDENTIAL INFORMATION PROPRIETARY TO CONXALL CORPORATION. ANY REPRODUCTION, DISCLOSURE, OR USE OF THIS DOCUMENT /INFORMATION IS EXPRESSLY PROHIBITED UNLESS AUTHORIZED IN WRITING BY CONXALL CORPORATION.

APPROVED BY: _____
DATE: _____

REV.	INIT.	DATE	DESCRIPTION
C	MA	02-11-21	ADDED 6380-XPG-526 TO CHART & CONTACT HEIGHT VIEW, STANDARDIZED DRAWING PER ECR 9544
B	PAK	01-09-13	ADDED P/N 6380-XPG-528 FOR .280 CABLE DIA. PER DOR 12-5009TC
A	AN	08-01-12	DRAWING CREATED PER DOR 12-E149SL #20

ALL INFORMATION ILLUSTRATED IS THE PROPERTY OF "CONXALL CORPORATION". UNAUTHORIZED DUPLICATION OR DISTRIBUTION OF THIS DOCUMENT IS PROHIBITED.	ORIG. DRAWN BY: AN DATE: 07-30-12	
ALL UNITS ARE IN FEET, INCHES, FRACTIONS OF INCHES AND DECIMALS.	CHECKED BY:	
APPROVED BY:	TITLE: CABLE CONNECTOR KIT (2-4) #16 PIN CONTACTS MINI-CON-X STANDARD PRODUCT	CUSTOMER: STANDARD PRODUCT
SCALE: NTS SIZE: B SHEET: 1 OF 1	FILE: 6380-XPG-5XX DIRECTORY: SLW	
PART NUMBER: 6380-XPG-5XX		REV: c

RoHS COMPLIANT