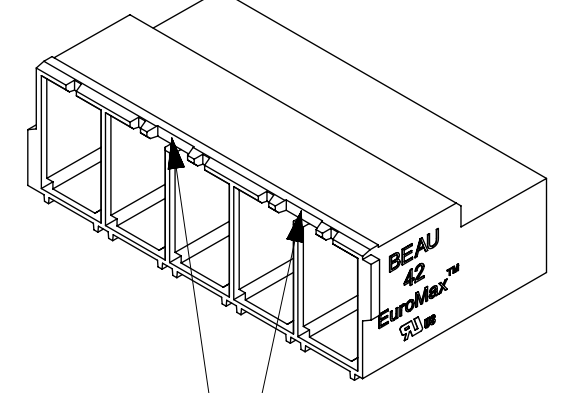
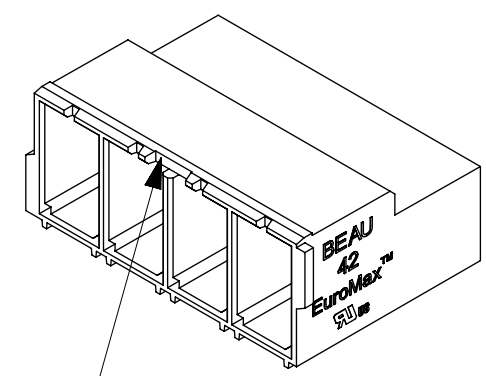
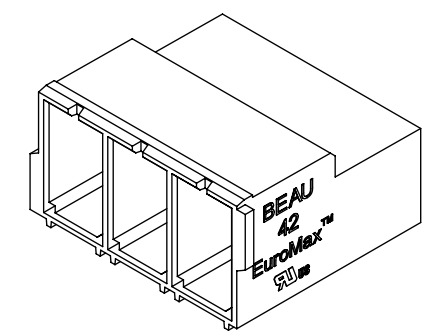
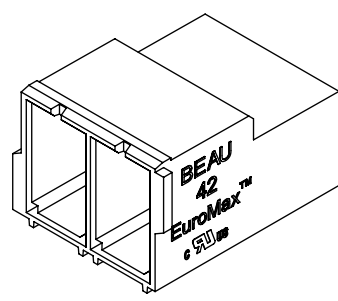


LENGTH CHART

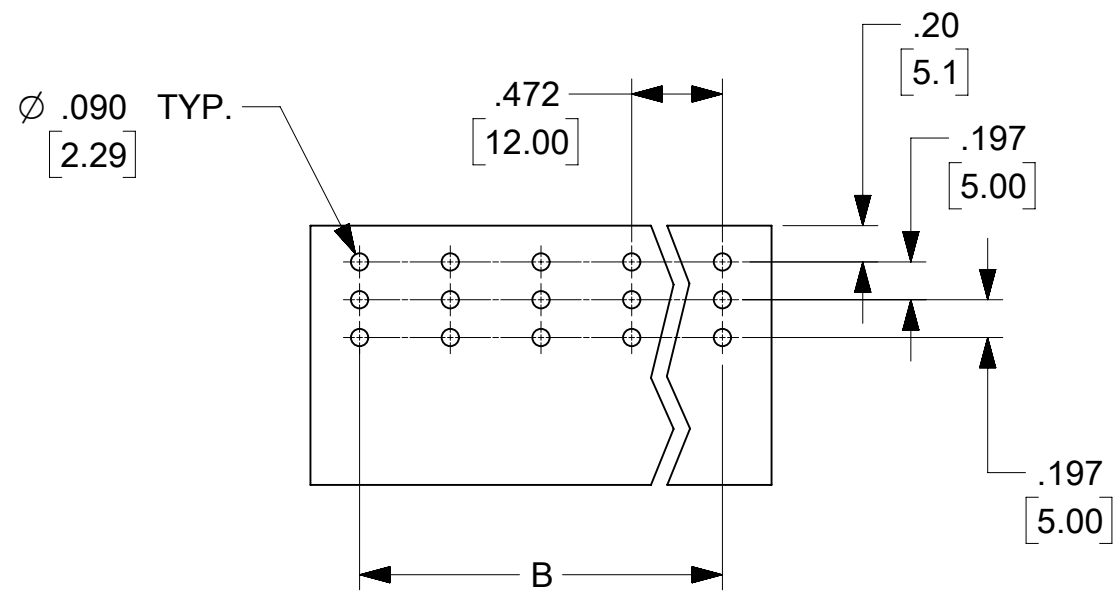
CIRCUITS	MATERIAL NO.	ENG. NO.	A	(A mm)	B	(B mm)	C	C (mm)
2	394250002	421902	1.11	28.2	.472	12.00	.99	25.1
3	394250003	421903	1.58	40.1	.945	24.00	1.46	37.1
4	394250004	421904	2.06	52.3	1.417	36.00	1.93	49.0
5	394250005	421905	2.53	64.3	1.890	48.00	2.40	61.0
6	394250006	421906	3.00	76.2	2.362	60.00	2.88	73.1
7	394250007	421907	3.47	88.1	2.835	72.00	3.35	85.1
8	394250008	421908	3.95	100.3	3.307	84.00	3.82	97.0
9	394250009	421909	4.42	112.3	3.780	96.00	4.30	109.2
10	394250010	421910	4.89	124.2	4.252	108.00	4.77	121.2



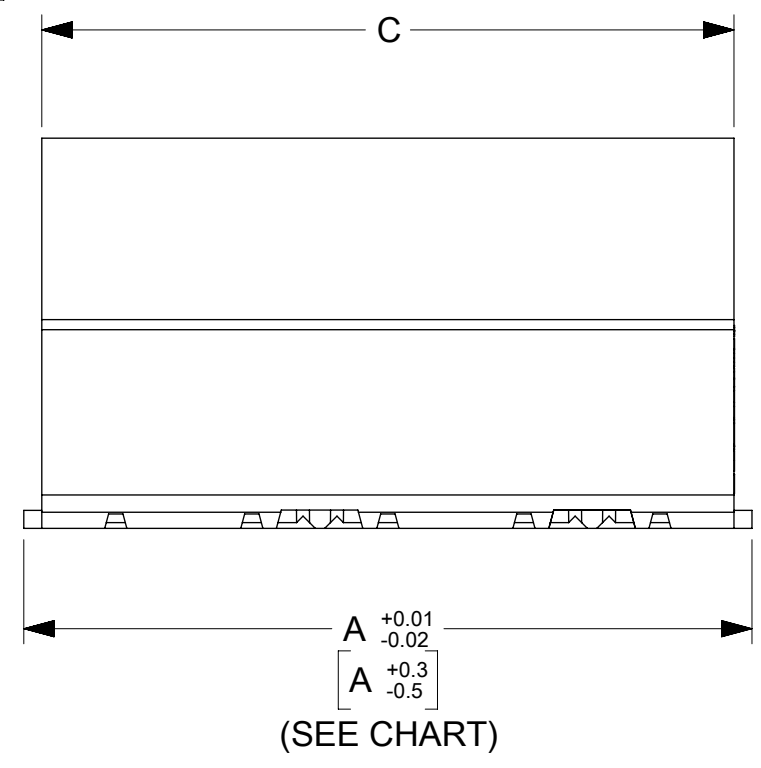
REF. 2 AND 3 CIRCUIT HEADERS HAVE NO PRY SLOTS

REF. 4 CIRCUIT HEADER HAS SINGLE PRY SLOT

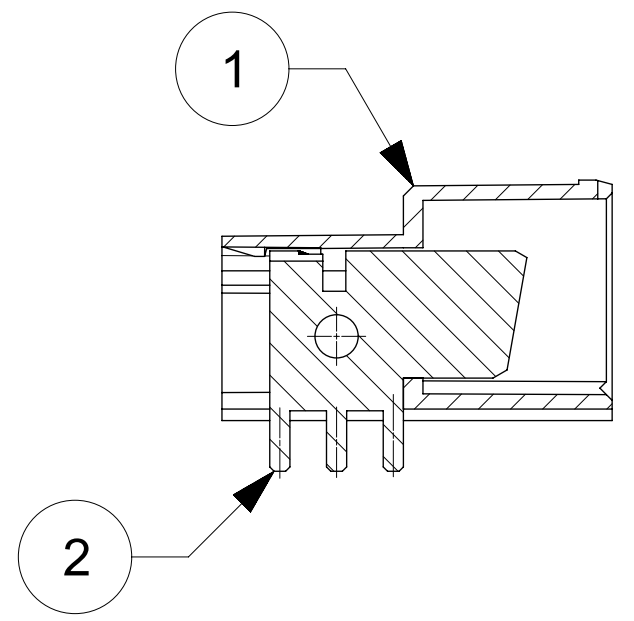
REF. 5 THRU 10 CIRCUIT HEADERS HAVE TWO PRY SLOTS



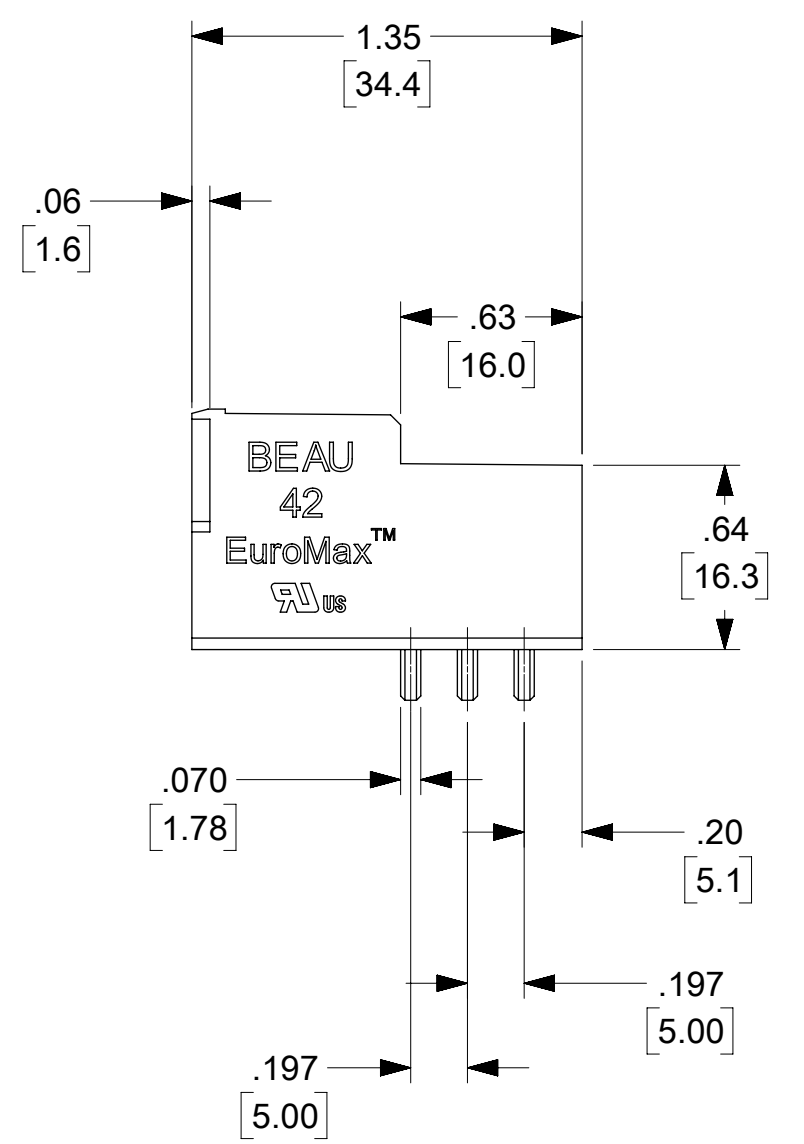
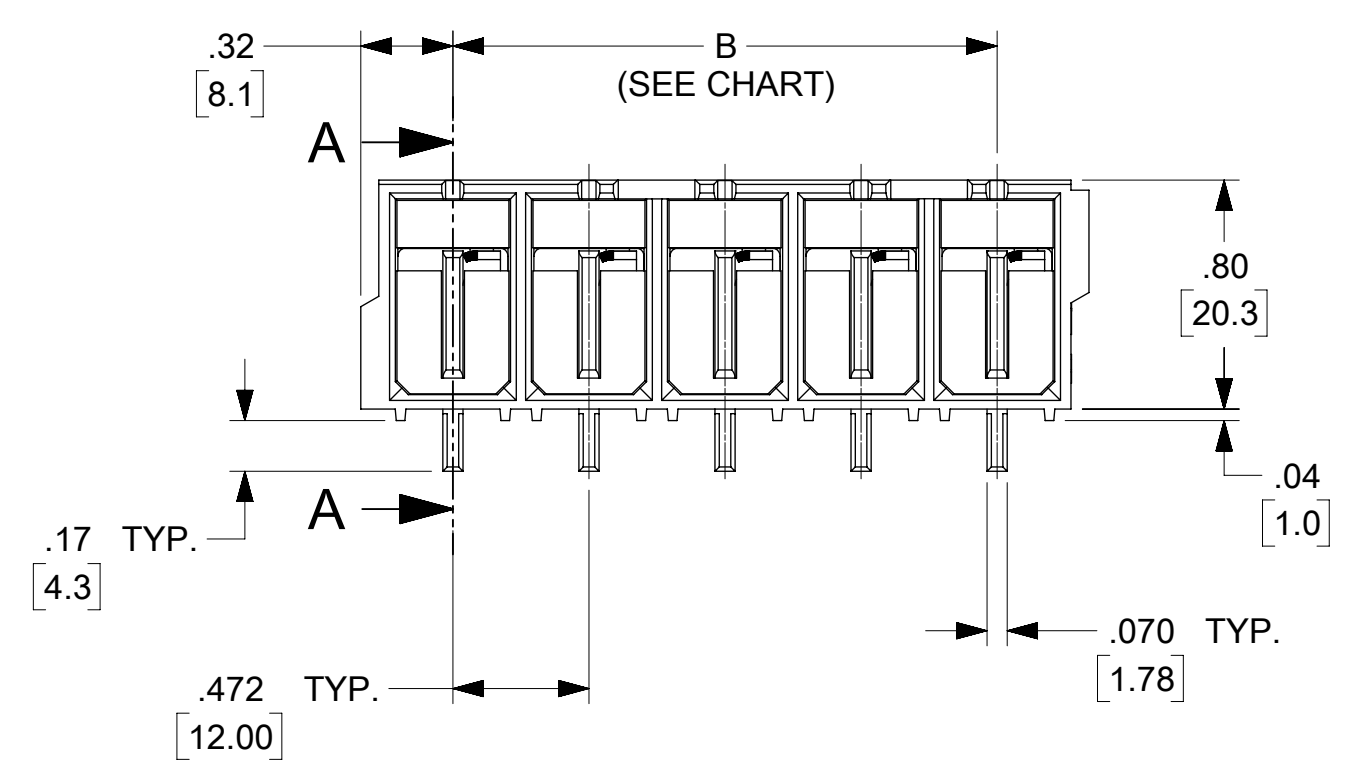
RECOMMENDED PTH PATTERN



(SEE CHART)



SECTION A-A



NOTES:

- MATERIAL: SEE TABLE
- FINISH: SEE TABLE
- ELECTRICAL SPECS:
VOLTAGE RATING: 600V
CURRENT RATING: 85A
- PRODUCT SPEC: PPS.42.001
- XX EQUALS NUMBER OF CIRCUITS
- DIMS. SHOWN ARE FOR REFERENCE ONLY UNLESS NOTED OTHERWISE

TABLE

ITEM	QTY	DESCRIPTION	MATERIAL	FINISH
2	XX	CONTACT BLADE	COPPER	TIN PLATED
1	1	HEADER	PA66	BLACK

THIS DRAWING CONTAINS INFORMATION THAT IS PROPRIETARY TO MOLEX ELECTRONIC TECHNOLOGIES, LLC AND SHOULD NOT BE USED WITHOUT WRITTEN PERMISSION

QUALITY SYMBOLS	2016/11/11 2016/11/23 2017/01/12 EC NO: 105770 DRWN: RSTONE CHKD: BRUPERT REV / APPR: BWOODMAN	GENERAL TOLERANCES (UNLESS SPECIFIED)	DIMENSION UNITS	SCALE			
▽ = 0		MM INCH	INCH/MM	1.5:1			
▽ = 0		4 PLACES ± ±	DRWN BY	DATE		HEADER ASSEMBLY 12MM, 85A, 600V NO MOUNTING ENDS	
▽ = 0		3 PLACES ± ±	R. STONE	2014/12/19			
▽ = 0		2 PLACES ± ± 0.01	CHKD BY	DATE	PRODUCT CUSTOMER DRAWING		
▽ = 0	1 PLACES ± 0.3 ±	B. ARDEN	2014/12/19				
▽ = 0	0 PLACES ± ±	APPR BY	DATE	SERIES	MATERIAL NUMBER	CUSTOMER	
□ = 0	ANGULAR TOL ±	B. WOODMAN	2014/12/19	39425	SEE CHART	GENERAL MARKET	
■ = 0	DRAFT WHERE APPLICABLE MUST REMAIN WITHIN DIMENSIONS	DRAWING SIZE	THIRD ANGLE PROJECTION	DOCUMENT NUMBER	DOC TYPE	DOC PART	SHEET NUMBER
▽ = 0		C		SD-39425-001	PSD	000	1 OF 1