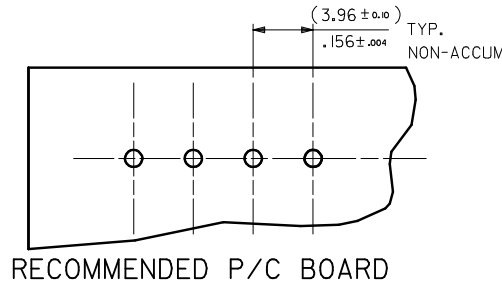
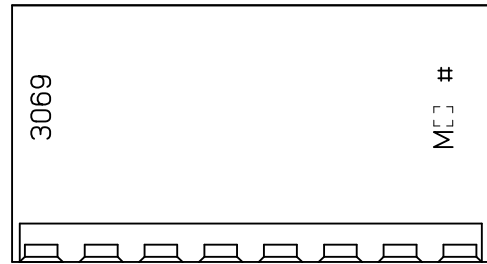
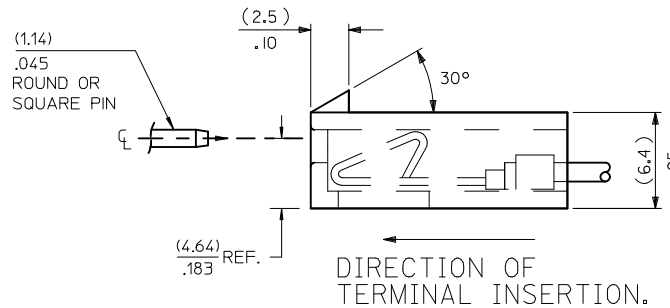
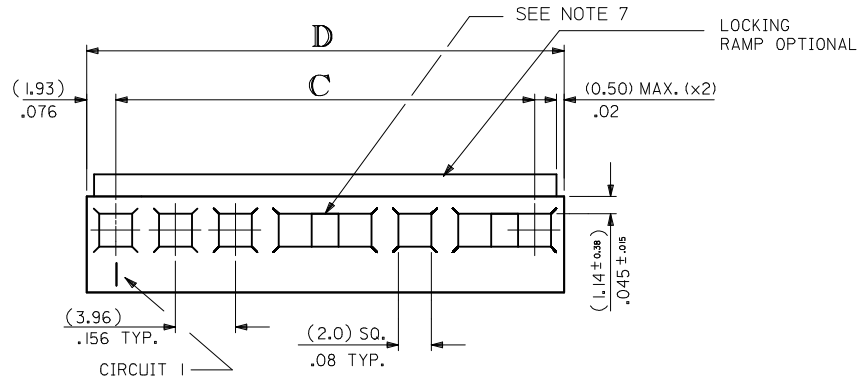


OPTIONAL WINDOW DETAIL

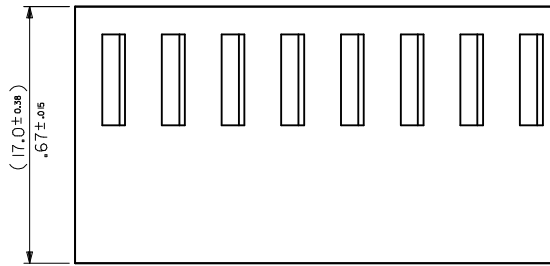


RECOMMENDED P/C BOARD



NOTES:

1. MATERIAL: UL94V-2 NYLON, IEC 60335-1 5TH EDITION GLOW WIRE CAPABLE, COLOR: BLACK
2. FINISH: N/A
3. PRODUCT SPECIFICATION: PS-99020-0087
4. PACKAGING SPECIFICATION: PK-3069-001
5. FOR USE WITH TERMINAL No. 2478 OR 2578
6. ASSEMBLED CONNECTOR MATES WITH (1.14)/0.045 SQUARE OR ROUND PIN.
7. EXTENDED PIN ENTRY WINDOWS ARE POSSIBLE.
8. THIS PART CONFORMS TO CLASS B REQUIREMENTS OF COSMETIC SPECIFICATION PS-45499-002.



| No. OF CCTS. | C | D |
|--------------|----------------------------------|----------------------------------|
| 2 | (3.96 ± 0.10) .156 ± .005 | (7.82 ± 0.25) .308 ± .010 |
| 3 | (7.92 ± 0.15) .312 ± .005 | (11.79 ± 0.25) .464 ± .010 |
| 4 | (11.89 ± 0.15) .468 ± .005 | (15.75 ± 0.25) .620 ± .010 |
| 5 | (15.85 ± 0.15) .624 ± .005 | (19.71 ± 0.25) .776 ± .010 |
| 6 | (19.81 ± 0.15) .780 ± .005 | (23.67 ± 0.25) .932 ± .010 |
| 7 | (23.77 ± 0.15) .936 ± .005 | (27.64 ± 0.31) 1.088 ± .012 |
| 8 | (27.74 ± 0.25) 1.092 ± .010 | (31.60 ± 0.31) 1.244 ± .012 |
| 9 | (31.70 ± 0.25) 1.248 ± .010 | (35.56 ± 0.31) 1.400 ± .012 |
| 10 | (35.66 ± 0.25) 1.404 ± .010 | (39.52 ± 0.31) 1.556 ± .012 |
| 11 | (39.62 ± 0.25) 1.560 ± .010 | (43.48 ± 0.31) 1.712 ± .012 |
| 12 | (43.59 ± 0.25) 1.716 ± .010 | (47.45 ± 0.31) 1.868 ± .012 |
| 13 | (47.55 ± 0.31) 1.872 ± .012 | (51.41 ± 0.36) 2.024 ± .014 |
| 14 | (51.51 ± 0.36) 2.028 ± .014 | (55.37 ± 0.36) 2.180 ± .014 |
| 15 | (55.47 ± 0.36) 2.184 ± .014 | (59.33 ± 0.36) 2.336 ± .014 |
| 16 | (59.44 ± 0.36) 2.340 ± .014 | (63.30 ± 0.36) 2.492 ± .014 |
| 17 | (63.40 ± 0.36) 2.496 ± .014 | (67.26 ± 0.36) 2.648 ± .014 |
| 18 | (67.36 ± 0.36) 2.652 ± .014 | (71.22 ± 0.36) 2.804 ± .014 |
| 19 | (71.32 ± 0.36) 2.808 ± .014 | (75.18 ± 0.36) 2.960 ± .014 |
| 20 | (75.29 ± 0.36) 2.964 ± .014 | (79.15 ± 0.46) 3.116 ± .018 |

| | | | | | | | | | | | |
|---|--------------------------------------|---------------------------------------|--|--|--|---|--------------|---|--|--|--|
| ADD PK SPEC. IEC NO: UCP2014-2821 DRWN:KIPPER 2014/01/08 CHKD:JBELL 2014/01/08 APPR:FSMITH 2014/01/30 | QUALITY SYMBOLS ▽=0 ▽=0 ▽=0 | GENERAL TOLERANCES (UNLESS SPECIFIED) | | DIMENSION STYLE | | SCALE | DESIGN UNITS | THIRD ANGLE PROJECTION | | | |
| | | | | MM/IN | | 4:1 | METRIC | | | | |
| | | | | DRAWN BY DATE | | CHECKED BY DATE | | HOUSING KK CONNECTOR (3.96)/0.156 CRIMP GLOW WIRE VERSION molex | | | |
| | | | | BRIAN RUTTLE 10/12/2007 | | B. MAGUIRE 12/12/2007 | | | | | |
| | | APPROVED BY DATE | | MATERIAL NO. | | DOCUMENT NO. | | SHEET NO. | | | |
| | | B. MAGUIRE 14/12/2007 | | SEE CHART | | SD-3069-GN*** | | 1 OF 2 | | | |
| | | ANGULAR ± 2 ° | | DRAFT WHERE APPLICABLE MUST REMAIN WITHIN DIMENSIONS | | THIS DRAWING CONTAINS INFORMATION THAT IS PROPRIETARY TO MOLEX INCORPORATED AND SHOULD NOT BE USED WITHOUT WRITTEN PERMISSION | | | | | |

| No. OF CCTS. | ENG. No. | PART No. | LOCKING RAMP |
|--------------|-----------|------------|--------------|
| 2 | 3069-G02 | 09-93-0200 | YES |
| | ▲ -G022 | ▲ -94-0200 | NO |
| 3 | -G03 | -93-0300 | YES |
| | -G032 | -94-0300 | NO |
| 4 | -G04 | -93-0400 | YES |
| | -G042 | -94-0400 | NO |
| 5 | -G05 | -93-0500 | YES |
| | -G052 | -94-0500 | NO |
| 6 | -G06 | -93-0600 | YES |
| | -G062 | -94-0600 | NO |
| 7 | -G07 | -93-0700 | YES |
| | -G072 | -94-0700 | NO |
| 8 | -G08 | -93-0800 | YES |
| | -G082 | -94-0800 | NO |
| 9 | -G09 | -93-0900 | YES |
| | -G092 | -94-0900 | NO |
| 10 | -G10 | -93-1000 | YES |
| | -G102 | -94-1000 | NO |
| 11 | -G11 | -93-1100 | YES |
| | -G112 | -94-1100 | NO |
| 12 | -G12 | -93-1200 | YES |
| | -G122 | -94-1200 | NO |
| 13 | -G13 | -93-1300 | YES |
| | -G132 | -94-1300 | NO |
| 14 | -G14 | -93-1400 | YES |
| | -G142 | -94-1400 | NO |
| 15 | -G15 | -93-1500 | YES |
| | -G152 | -94-1500 | NO |
| 16 | -G16 | -93-1600 | YES |
| | -G162 | -94-1600 | NO |
| 17 | -G17 | -93-1700 | YES |
| | -G172 | -94-1700 | NO |
| 18 | -G18 | -93-1800 | YES |
| | -G182 | -94-1800 | NO |
| 19 | -G19 | -93-1900 | YES |
| | -G192 | -94-1900 | NO |
| 20 | ▼ -G20 | ▼ -93-2000 | YES |
| | 3069-G202 | 09-94-2000 | NO |

ENG. No. DESIGNATION

3069 - G N 2

"G" GLOW WIRE CAPABLE
SEE NOTE 1

NO. OF CKT'S

"2" INDICATES HOUSING WITHOUT RAMP
"BLANK" INDICATES HOUSING WITH RAMP

| | | | | | | |
|---|---|---------------------------------------|--|--|--------------|------------------------|
| SEE SHEET 1 EC NO: UCP2014-2821 DRW:MKLIPPER 2014/01/08 CHKD:JBELL 2014/01/08 APPR:FSMTH 2014/01/30 | QUALITY SYMBOLS | GENERAL TOLERANCES (UNLESS SPECIFIED) | DIMENSION STYLE | SCALE | DESIGN UNITS | THIRD ANGLE PROJECTION |
| | ▽=0 | mm INCH | MM/IN | 1:1 | METRIC | |
| | ▽=0 | 4 PLACES ± --- ± --- | DRAWN BY DATE | TITLE HOUSING KK CONNECTOR (3.96)/0.156 CRIMP GLOW WIRE VERSION molex | | |
| | ▽=0 | 3 PLACES ± --- ± .010 | BRIAN RUTTLE 10/12/2007 | | | |
| | 2 PLACES ± 0.25 ± .014 | CHECKED BY DATE | DOCUMENT NO. SD-3069-GN*** SHEET NO. 2 OF 2 | | | |
| | 1 PLACE ± 0.35 ± --- | B. MAGUIRE 12/12/2007 | | | | |
| | 0 PLACE ± --- ± --- | APPROVED BY DATE | THIS DRAWING CONTAINS INFORMATION THAT IS PROPRIETARY TO MOLEX INCORPORATED AND SHOULD NOT BE USED WITHOUT WRITTEN PERMISSION | | | |
| | | B. MAGUIRE 14/12/2007 | | | | |
| B3 | ANGULAR ± 2 ° DRAFT WHERE APPLICABLE MUST REMAIN WITHIN DIMENSIONS | SEE CHART | | | | |