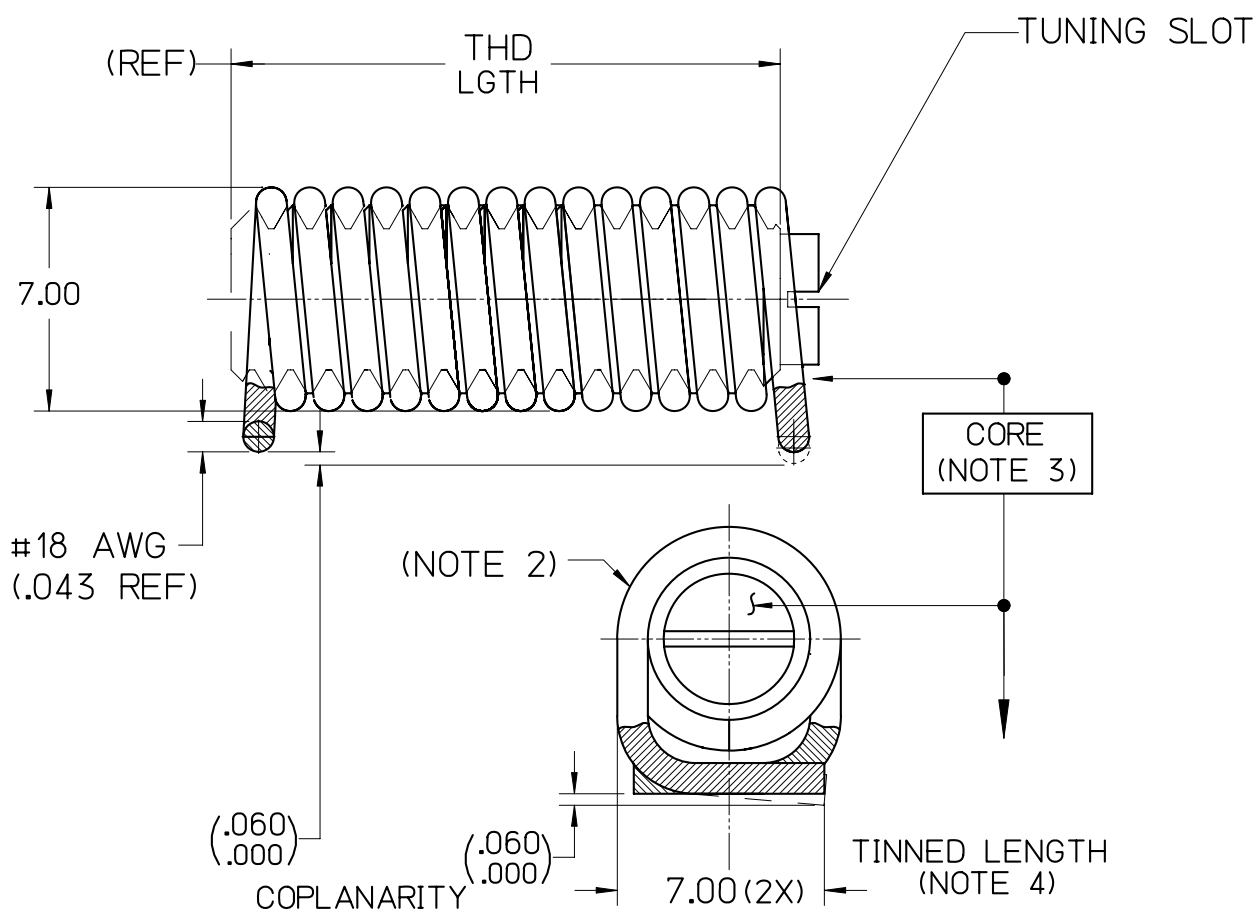


VARIABLE INDUCTOR COIL (NONMAGNETIC)
U.S. PATENT No. 8,248,198

FILE: AIROUT



- NOTES:
1. a. DIMENSIONS: mm
 b. DIMENSIONS: (inches) FOR REFERENCE ONLY
 2. COIL :
 a. MATERIAL: COPPER ALLOY (COATED)
 b. COATING ABLE TO WITHSTAND 275°C FOR 100 HOURS AS PER NEMA "CLASS 200". (REF ASTM D2307)
 3. CORE :
 a. MATERIAL: PTFE / COPPER ALLOY
 b. SELF-RESONANT FREQUENCY (SRF) IS MEASURED WITH THE CORE) FULLY ENGAGED AS DEPICTED
 c. L MIN MEASURED WITH CORE ENGAGING FULL WINDINGS. L MAX MEASURED WITH CORE ENGAGING A SINGLE TURN.
 4. TINNING :
 a. MATERIAL: RoHS COMPLIANT "SAC" ALLOY"

KNOWLES P/N	L (nH)				Q (@ 100 MHz)	SRF (GHz)	TURNS	THD LGTH (mm)
	MIN	NOM	MAX	NO CORE				
VTC19E375TRSM	281	345	436	457	171	310	19	25

READINGS TAKEN ON AGILENT/8358-A METER.



Knowles Cazenovia
 2777 Route 20 East
 Cazenovia, NY 13035

A	11/10/17	MAI	-	-	001457
LEVEL	DATE	DRN.	CHK.	APP.	ECN
REVISIONS					
DRN.	CHK.	APP.	SCALE		
MAI	MAI	MAI	NONE		
DATE	DATE	DATE	.XX ± .762		
11/10/17	11/10/17	11/10/17	.XXX ± .254		