

1-1969612-2 ✓ ACTIVE



VAL-U-LOK

TE Internal #: 1-1969612-2

Rectangular Power Connectors, Housing, Plug, Wire-to-Wire, 12 Position, 4.2 mm [.165 in] Centerline, Wire & Cable, UL 94V-0

[View on TE.com >](#)

Connectors > Power Connectors > Rectangular Power > Rectangular Power Connectors



Rectangular Power Connector Type: **Housing**

Connector & Housing Type: **Plug**

Connector System: **Wire-to-Wire**

Number of Positions: **12**

Centerline (Pitch): **4.2 mm [ .165 in ]**

### Features

#### Product Type Features

|                                   |              |
|-----------------------------------|--------------|
| Rectangular Power Connector Type  | Housing      |
| Connector & Housing Type          | Plug         |
| Connector System                  | Wire-to-Wire |
| Sealable                          | No           |
| Connector & Contact Terminates To | Wire & Cable |

#### Configuration Features

|                     |    |
|---------------------|----|
| Number of Positions | 12 |
| Number of Rows      | 2  |

#### Electrical Characteristics

|                   |         |
|-------------------|---------|
| Operating Voltage | 600 VAC |
|-------------------|---------|

#### Contact Features

|                                  |         |
|----------------------------------|---------|
| Contact Retention Within Housing | Without |
| Contact Type                     | Pin     |

#### Termination Features



|                                    |       |
|------------------------------------|-------|
| Termination Method to Wire & Cable | Crimp |
|------------------------------------|-------|

### Mechanical Attachment

|                         |                            |
|-------------------------|----------------------------|
| Connector Mounting Type | Cable Mount (Free-Hanging) |
|-------------------------|----------------------------|

### Housing Features

|                    |                  |
|--------------------|------------------|
| Centerline (Pitch) | 4.2 mm [.165 in] |
|--------------------|------------------|

|               |         |
|---------------|---------|
| Housing Color | Natural |
|---------------|---------|

|                  |           |
|------------------|-----------|
| Housing Material | Nylon 6/6 |
|------------------|-----------|

### Dimensions

|                  |                   |
|------------------|-------------------|
| Connector Height | 11.6 mm [.457 in] |
|------------------|-------------------|

|               |                   |
|---------------|-------------------|
| Product Width | 23.8 mm [.937 in] |
|---------------|-------------------|

|                |                    |
|----------------|--------------------|
| Product Length | 26.4 mm [1.039 in] |
|----------------|--------------------|

|                    |                  |
|--------------------|------------------|
| Row-to-Row Spacing | 4.2 mm [.165 in] |
|--------------------|------------------|

### Usage Conditions

|                             |                             |
|-----------------------------|-----------------------------|
| Operating Temperature Range | -40 – 105 °C [-40 – 221 °F] |
|-----------------------------|-----------------------------|

### Operation/Application

|                     |                |
|---------------------|----------------|
| Circuit Application | Power & Signal |
|---------------------|----------------|

### Industry Standards

|            |        |
|------------|--------|
| CSA Rating | 208567 |
|------------|--------|

|           |            |
|-----------|------------|
| UL Rating | Recognized |
|-----------|------------|

|                 |         |
|-----------------|---------|
| Agency/Standard | CSA, UL |
|-----------------|---------|

|                    |           |
|--------------------|-----------|
| Approved Standards | UL E28476 |
|--------------------|-----------|

|                        |          |
|------------------------|----------|
| UL Flammability Rating | UL 94V-0 |
|------------------------|----------|

|                  |                               |
|------------------|-------------------------------|
| Glow Wire Rating | Standard Part - Not Glow Wire |
|------------------|-------------------------------|

### Packaging Features

|                    |     |
|--------------------|-----|
| Packaging Quantity | 500 |
|--------------------|-----|

|                  |     |
|------------------|-----|
| Packaging Method | Bag |
|------------------|-----|

### Product Compliance

[For compliance documentation, visit the product page on TE.com>](#)

|                              |           |
|------------------------------|-----------|
| EU RoHS Directive 2011/65/EU | Compliant |
|------------------------------|-----------|

|                             |           |
|-----------------------------|-----------|
| EU ELV Directive 2000/53/EC | Compliant |
|-----------------------------|-----------|

|   |   |
|---|---|
| China RoHS 2 Directive MIIT Order No 32, 2016 | No Restricted Materials Above Threshold |
|---|---|



EU REACH Regulation (EC) No. 1907/2006

Current ECHA Candidate List: JUNE 2023 (235)

Candidate List Declared Against: JAN 2021 (211)

Does not contain REACH SVHC

Halogen Content

Low Halogen - Br, Cl, F, I < 900 ppm per homogenous material. Also BFR/CFR/PVC Free

Solder Process Capability

Not reviewed for solder process capability

Product Compliance Disclaimer

This information is provided based on reasonable inquiry of our suppliers and represents our current actual knowledge based on the information they provided. This information is subject to change. The part numbers that TE has identified as EU RoHS compliant have a maximum concentration of 0.1% by weight in homogenous materials for lead, hexavalent chromium, mercury, PBB, PBDE, DBP, BBP, DEHP, DIBP, and 0.01% for cadmium, or qualify for an exemption to these limits as defined in the Annexes of Directive 2011/65/EU (RoHS2). Finished electrical and electronic equipment products will be CE marked as required by Directive 2011/65/EU. Components may not be CE marked. Additionally, the part numbers that TE has identified as EU ELV compliant have a maximum concentration of 0.1% by weight in homogenous materials for lead, hexavalent chromium, and mercury, and 0.01% for cadmium, or qualify for an exemption to these limits as defined in the Annexes of Directive 2000/53/EC (ELV). Regarding the REACH Regulation, the information TE provides on SVHC in articles for this part number is based on the latest European Chemicals Agency (ECHA) 'Guidance on requirements for substances in articles' posted at this URL: <https://echa.europa.eu/guidance-documents/guidance-on-reach>

## Compatible Parts



TE Part # 1-1586038-2  
12P VRT HDR VAL-U-LOK V0



TE Part # 1-1586019-2  
12P RCPT VAL-U-LOK V0



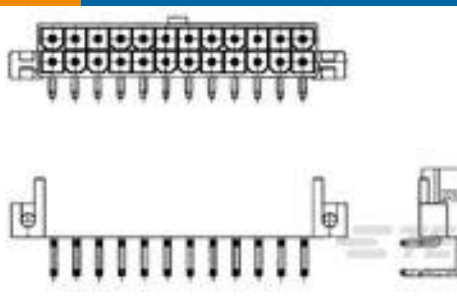
TE Part # 1-1969614-2  
12P RCPT VAL-U-LOK V0



TE Part # 1-1586040-2  
12P VAL-U-LOK VRT HDR W/P V0

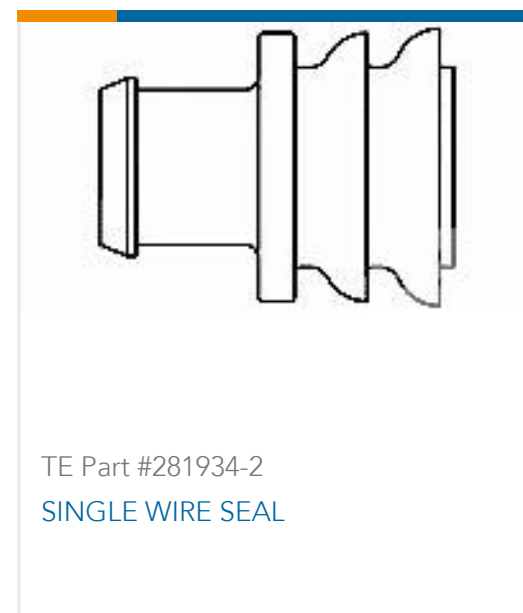
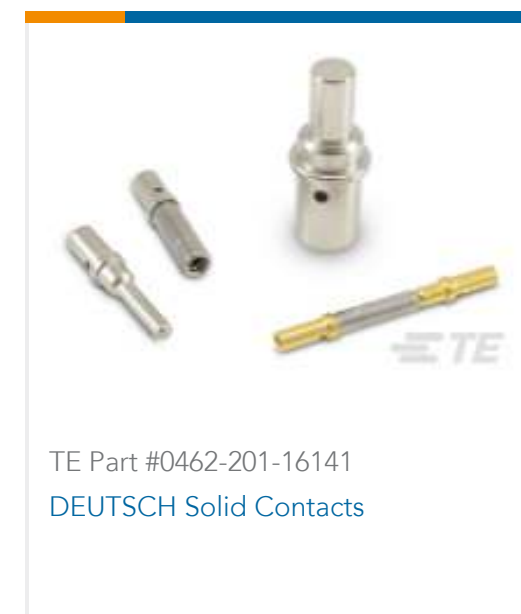


TE Part # 1-1586042-2  
12P VAL-U-LOK R/A HDR V0



TE Part # 1-1586044-2  
12P VAL-U-LOK R/A HDR SCRMT V0

## Customers Also Bought



## Documents

### Product Drawings

#### 12P FH PLUG VAL-U-LOK V0

English

### CAD Files

#### 3D PDF

3D

#### Customer View Model

[ENG\\_CVM\\_CVM\\_1-1969612-2\\_A\\_c-1-1969612-2-a.2d\\_dxf.zip](#)

English

#### Customer View Model

[ENG\\_CVM\\_CVM\\_1-1969612-2\\_A\\_c-1-1969612-2-a.3d\\_igs.zip](#)

English

#### Customer View Model

[ENG\\_CVM\\_CVM\\_1-1969612-2\\_A\\_c-1-1969612-2-a.3d\\_stp.zip](#)

English

By downloading the CAD file I accept and agree to the [Terms and Conditions](#) of use.

### Datasheets & Catalog Pages

#### 1-1773730-3 VAL-U-LOK Connectors with TPA Flyer

English

### Product Specifications

#### Application Specification

English

### Agency Approvals

#### UL Report

1-1969612-2

Rectangular Power Connectors, Housing, Plug, Wire-to-Wire, 12 Position, 4.2 mm [.165 in] Centerline, Wire & Cable, UL 94V-0



English