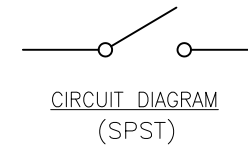
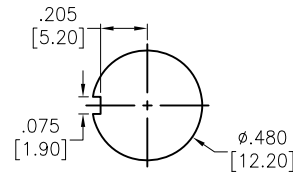
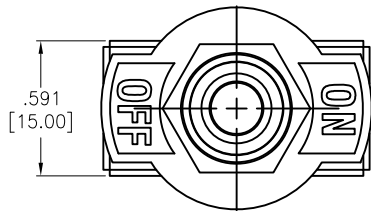
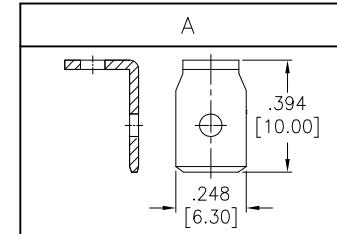
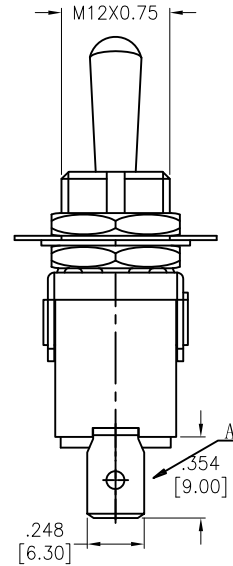
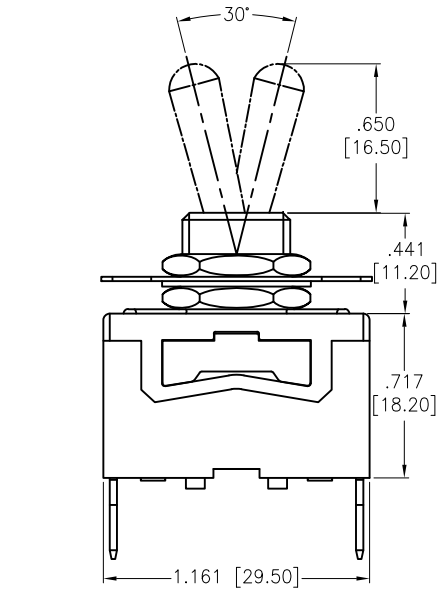


APPROVED: \_\_\_\_\_  
 DATE: \_\_\_\_\_ TITLE: \_\_\_\_\_

Rev	AWO #	Description	Date	Appr
-		RELEASED	8/10/21	
A		UPDATED DRAWING	6/21/22	JJ/MC
B		UPDATED COLOR	11/24/22	LH/AC1



SW-T1-1X-B-K1  
 A=ON-OFF  
 C=OFF-(ON)

**SPECIFICATIONS:**

Material:  
 Body: Bakelite, Color: Red Brown  $\Delta$   
 Lever: Brass, Nickel plated  
 Terminal: Brass, Silver plated  
 Electrical:  
 Rating: 10A @ 250V AC  
 15A @ 125V AC  
 Contact resistance: 50 m $\Omega$  max  
 Insulation resistance: 1000 M $\Omega$  min (500VDC)  
 Dielectric withstanding voltage: 1500V AC for 1 minute  
 Electrical Life: 10,000 cycles  
 Temperature Rating:  
 Operating temperature: -25°C to +85°C  
 Environmental:  
 Lead free, RoHS compliant



UNLESS OTHERWISE SPECIFIED ALL DIMENSIONS ARE INCHES [MM]. TOLERANCES: EXCEPT AS NOTED

INCHES		HOLES	
.X	±.10	ØX	±.10
.XX	±.020	ØXX	±.015
.XXX	±.015	ØXXX	±.010



909 Rahway Avenue,  
 Union, NJ 07083  
 Phone: 908-687-5000  
 Fax: 908-687-5710

DRAWN	WX	8/10/21
CHECKED	RC	8/10/21
APPROVED		

TITLE SWITCH, TOGGLE MEDIUM, SPST,  
 ON-OFF, OFF-(ON), QC TERMINAL .250" [6.35MM]

THIS DRAWING CONTAINS INFORMATION THAT IS PROPRIETARY AND SHOULD NOT BE USED WITHOUT PRIOR WRITTEN PERMISSION FROM ADAM TECH

SIZE	PART NO.	REV.
X	SW-T1-1X-B-K1	B
REF: S00206C	SCALE: NTS	SHEET 1 OF 1