

Customer Information Sheet

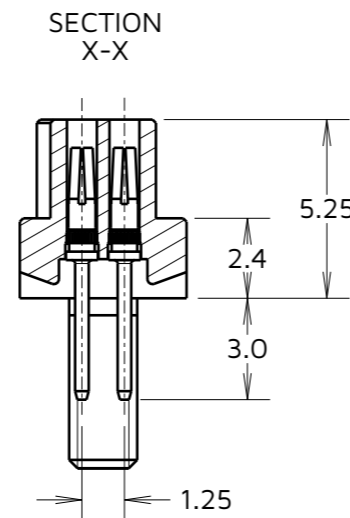
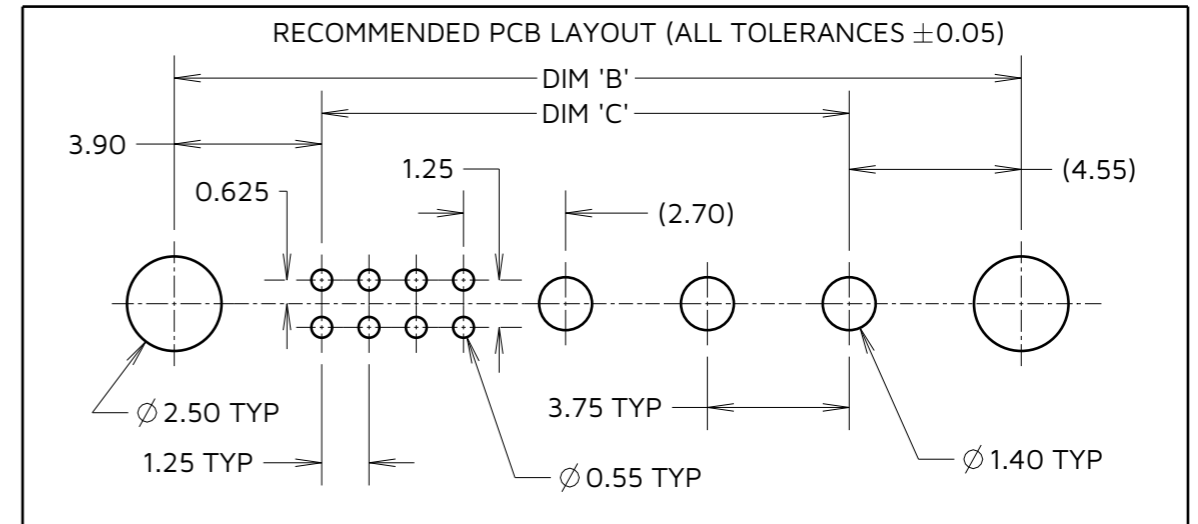
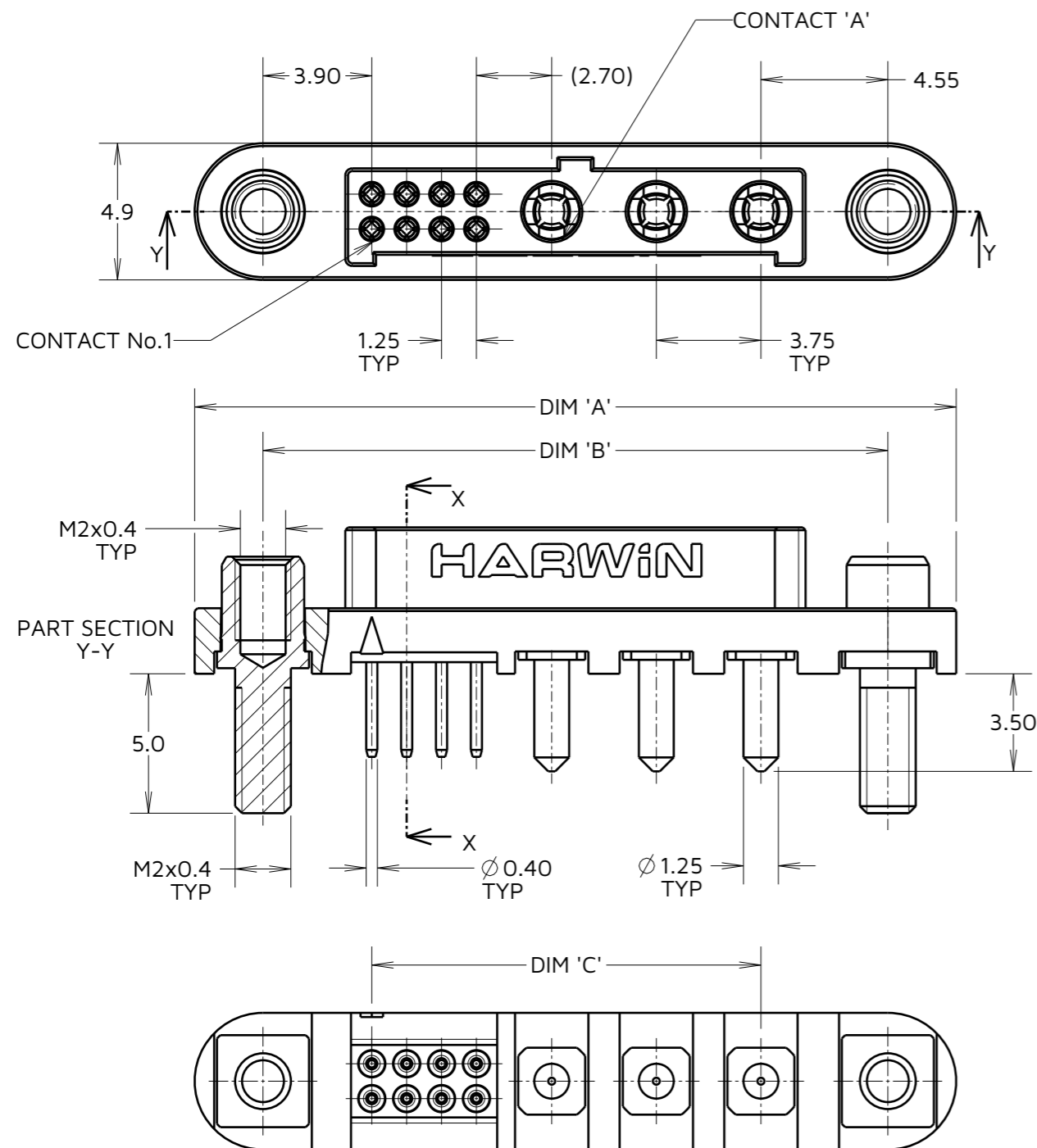
IF IN DOUBT - ASK

©

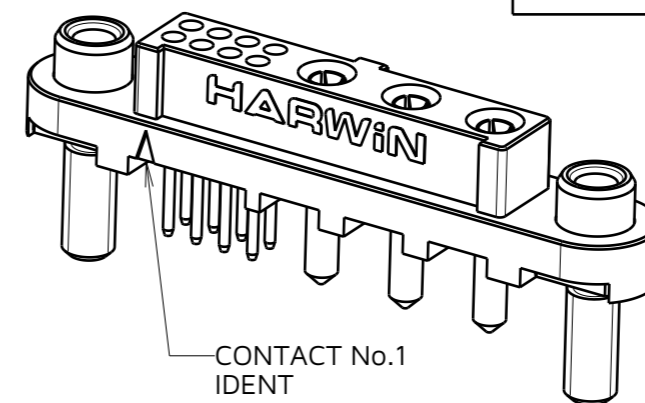
NOT TO SCALE

THIRD ANGLE PROJECTION

ALL DIMENSIONS IN mm



ORDER CODE:
G125-FV1XXF1-XXAB000P
 No. OF SIGNAL CONTACTS (SEE TABLE 2 FOR VARIANTS) No. OF POWER CONTACTS (SEE TABLE 2 FOR VARIANTS)



DIMENSION	CALCULATION
DIM 'A'	$((\text{TOTAL No. OF SIGNAL CONTACTS} - 2) \times 0.625) + ((\text{TOTAL No. OF POWER CONTACTS} - 1) \times 3.75) + 16.05$
DIM 'B'	$((\text{TOTAL No. OF SIGNAL CONTACTS} - 2) \times 0.625) + ((\text{TOTAL No. OF POWER CONTACTS} - 1) \times 3.75) + 11.15$
DIM 'C'	$((\text{TOTAL No. OF SIGNAL CONTACTS} - 2) \times 0.625) + ((\text{TOTAL No. OF POWER CONTACTS} - 1) \times 3.75) + 2.70$

MGP	2	23.05.23	32485
NAME	ISS.	DATE	CN/CO
APPROVED: MGP			
CHECKED: AB			
DRAWN: R.PORTLOCK			
ASSEMBLY DRG:			

- NOTES:
 1. FOR MATERIALS, FINISH AND PERFORMANCE SEE COMPONENT SPECIFICATION C125XX (LATEST ISSUE).
 2. FOR PANEL MOUNT NUTS ORDER SEPARATELY, PART NUMBER: G125-4510000B ROUND SLOTTED NUT - BAG OF 12.

HARWIN
 www.harwin.com

TOLERANCES
 X. = ±1mm
 X.X = ±0.50mm
 X.XX = ±0.20mm
 X.XXX = ±0.01mm
 ANGLES = ±5°
 UNLESS STATED

THIS DRAWING AND ANY INFORMATION OR DESCRIPTIVE MATTER SET OUT HEREON ARE CONFIDENTIAL AND COPYRIGHT PROPERTY OF THE HARWIN GROUP AND MUST NOT BE DISCLOSED, LOANED, COPIED OR USED FOR MANUFACTURING, TENDERING OR FOR ANY OTHER PURPOSE WITHOUT THEIR WRITTEN PERMISSION.

MATERIAL:
 SEE ABOVE

TITLE:
GECKO MT SERIES FEMALE VERTICAL PC TAIL CONNECTOR
 DRAWING NUMBER:
G125-FV1XXF3-XXAB000P

Customer Information Sheet

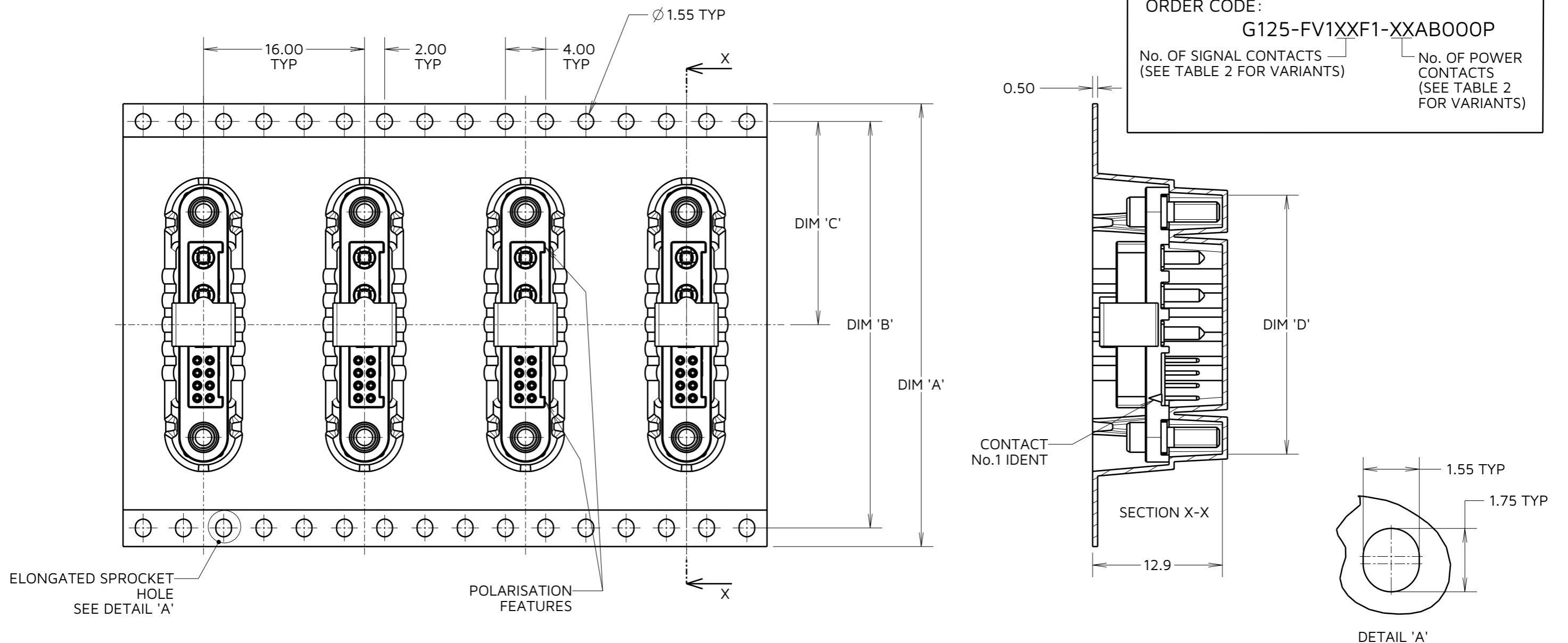
IF IN DOUBT - ASK

©

NOT TO SCALE

THIRD ANGLE PROJECTION

ALL DIMENSIONS IN mm



**TAPE STRIP DETAILS ONLY,
SEE SHEET 3 FOR CONNECTOR
AND PCB LAYOUT DETAILS**

- NOTES:
- COMPONENTS ARE ORIENTED IN TAPE POCKETS AS SHOWN.
 - COMPONENTS ARE SUPPLIED IN STRIPS OF TAPE WITH A QUANTITY OF 10 CONNECTORS PER STRIP.
 - LARGE QTY'S MAY BE SHIPPED ON A REEL AND MAY NOT HAVE A LEADER.
 - FOR PARTS ON A REEL SUITABLE FOR AUTOMATIC MACHINE PLACEMENT PLEASE ORDER G125-FV1XXF1-XXAB000R.

TABLE 2: AVAILABLE VARIANTS

ASSEMBLY PART No.	DIM 'A'	DIM 'B'	DIM 'C'	DIM 'D'	No. OF POWER CONTACTS	No. OF SIGNAL CONTACTS
G125-FV104F3-02AB000P	44.00	40.40	20.20	19.5	02	04
G125-FV108F3-03AB000P				25.7	03	08
G125-FV104F3-04AB000P				27.0	04	04
G125-FV124F3-02AB000P	56.00	52.40	26.20	32.0	02	24
G125-FV116F3-04AB000P				36.6	04	16
G125-FV108F3-06AB000P				39.1	06	08

MGP	2	23.05.23	32485
NAME	ISS.	DATE	CN/CO
APPROVED: MGP			
CHECKED: AB			
DRAWN: R.PORTLOCK			
ASSEMBLY DRG:			

HARWIN

www.harwin.com

TOLERANCES
 X. = ±1mm
 X.X = ±0.50mm
 X.XX = ±0.20mm
 X.XXX = ±0.01mm
 ANGLES = ±5°
 UNLESS STATED

THIS DRAWING AND ANY INFORMATION OR DESCRIPTIVE MATTER SET OUT HEREON ARE CONFIDENTIAL AND COPYRIGHT PROPERTY OF THE HARWIN GROUP AND MUST NOT BE DISCLOSED, LOANED, COPIED OR USED FOR MANUFACTURING, TENDERING OR FOR ANY OTHER PURPOSE WITHOUT THEIR WRITTEN PERMISSION.

MATERIAL:

SEE SHEET 3

TITLE:

**GECKO MT SERIES FEMALE
VERTICAL PC TAIL CONNECTOR**

DRAWING NUMBER:

G125-FV1XXF3-XXAB000P

SHT
4
OF
4