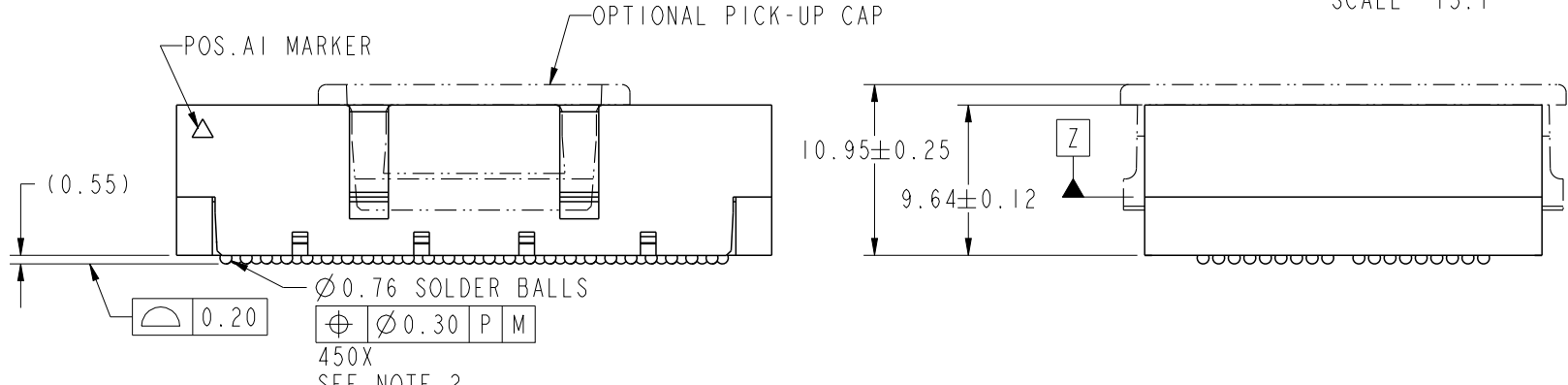
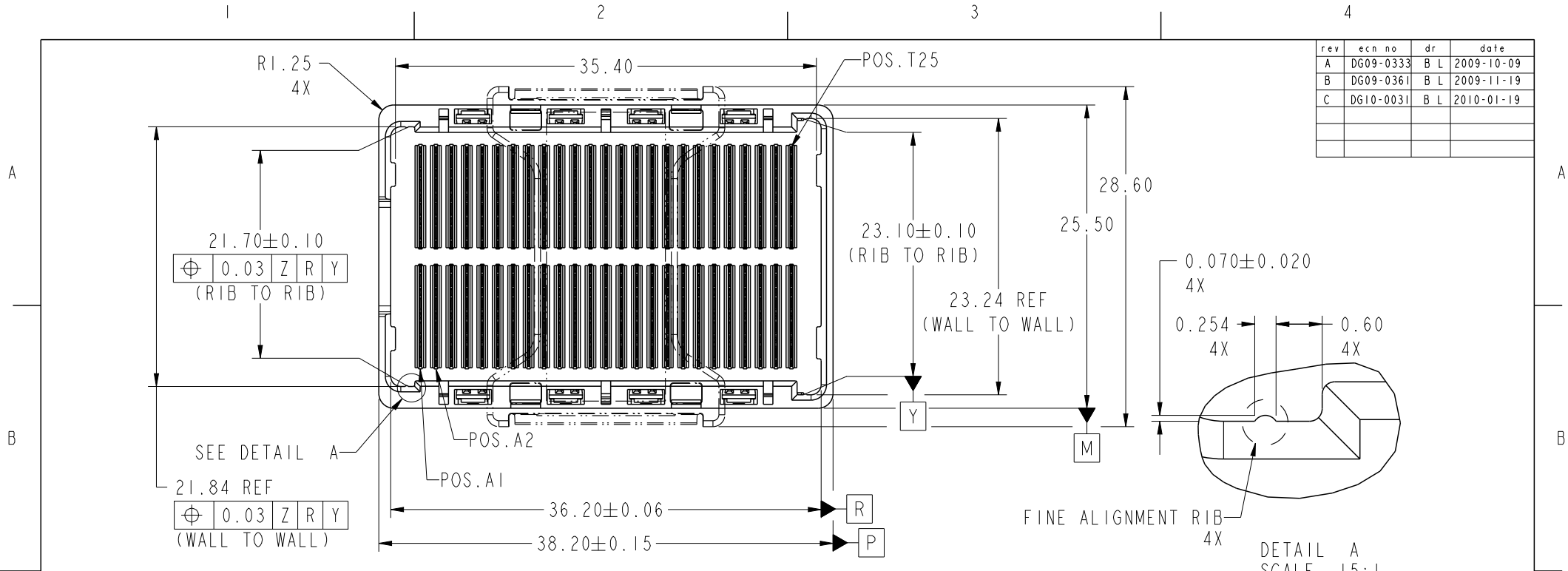


rev	ecn no	dr	date
A	DG09-0333	B L	2009-10-09
B	DG09-0361	B L	2009-11-19
C	DG10-0031	B L	2010-01-19



spec ref	*	dr	Bill Lin	2010/02/02	projection	mm	size	A4	scale	3:10
tolerance std	TOLERANCES UNLESS OTHERWISE SPECIFIED	eng	Nickor Zuo	2011/06/01			ecn no	ELX-DG-003943-1		
ASME Y14.5		chr	Alex Cao	2011/06/24				rel level	Released	
-		appr	Pei-Ming Zheng	2011/06/27	product family	GIG-Array		rev		
surface		linear		GIG-Array		dwg no	10107377		D	
-		angular		0°	±2°		10mm PLUG ASSY. 200 SIG. POS.		Product - Customer Drw	

ProjE File - REV C - 2009-06-09

www.fci.com

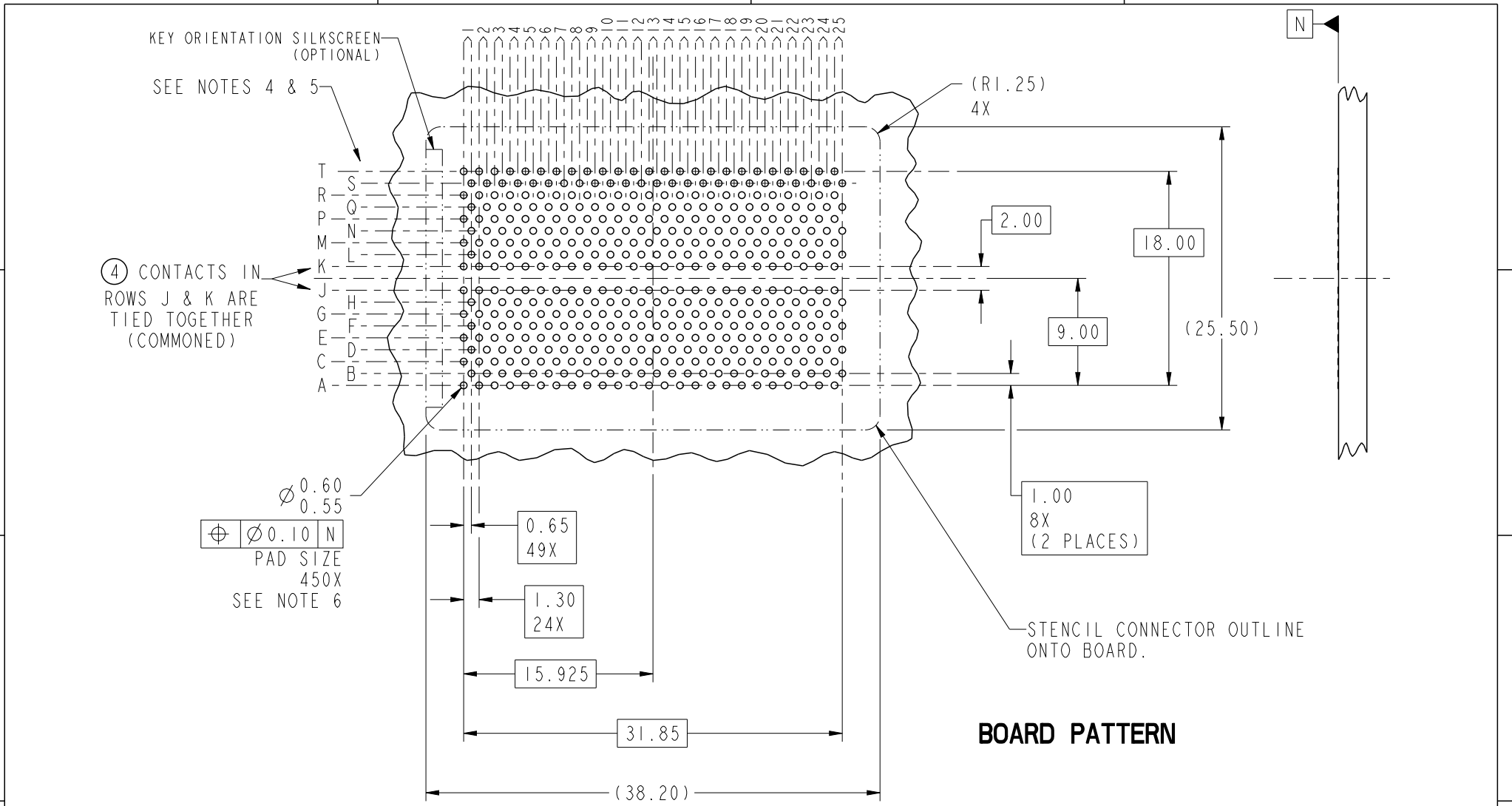
PDS: Rev :D

STATUS:Released

Printed: Jun 27, 2011



Copyright FCI.

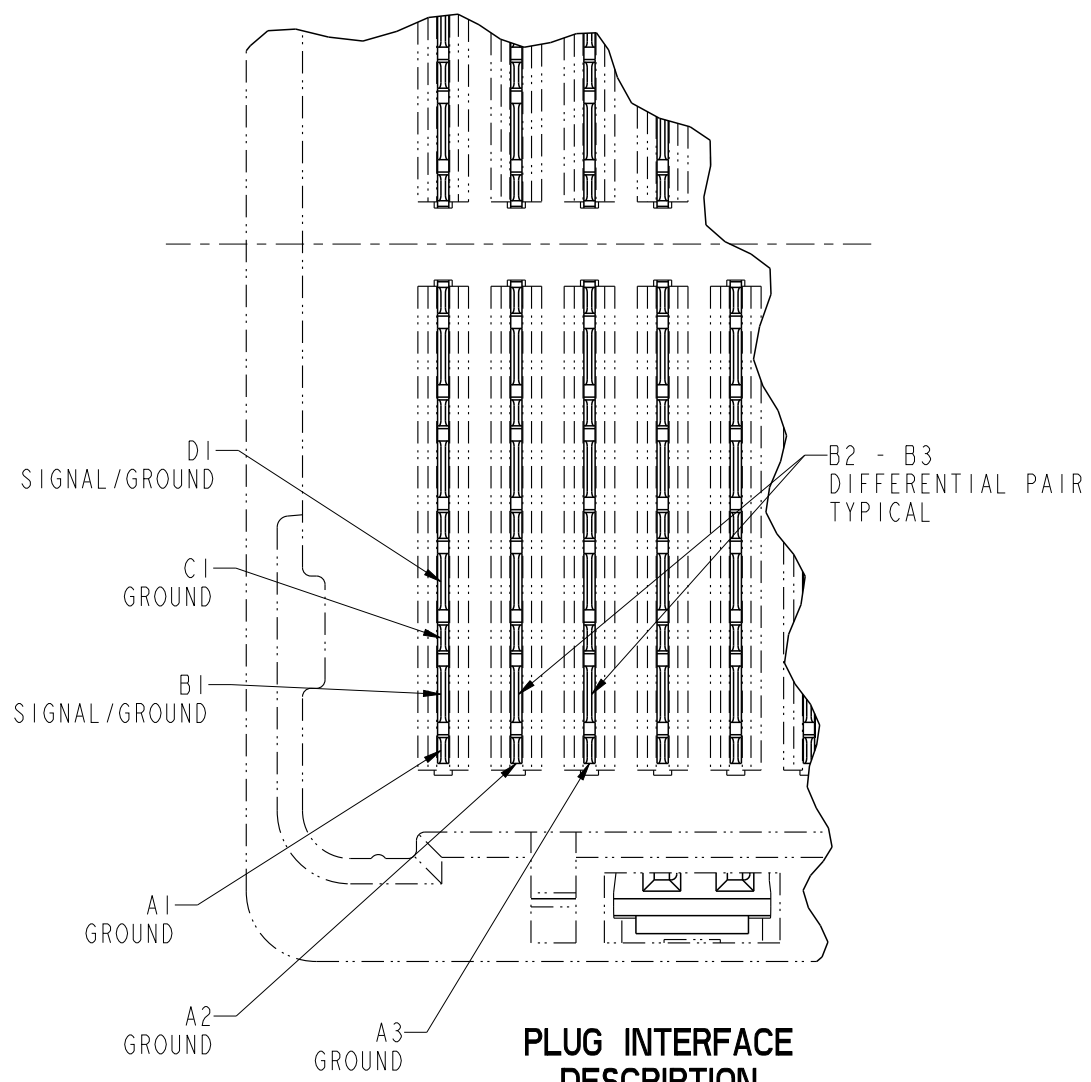


spec ref	*	dr	Bill Lin	2010/02/02	projection	mm	size	A4	scale	21:10												
tolerance std	TOLERANCES UNLESS OTHERWISE SPECIFIED	eng	Nickor Zuo	2011/06/01			ecn no		ELX-DG-003943-1													
ASME Y14.5		chr	Alex Cao	2011/06/24			rel level		Released													
surface	<table border="1"> <tr> <td>linear</td> <td>0.X</td> <td>±0.30</td> </tr> <tr> <td></td> <td>0.XX</td> <td>±0.10</td> </tr> <tr> <td></td> <td>0.XXX</td> <td>±0.05</td> </tr> <tr> <td>angular</td> <td>0°</td> <td>±2°</td> </tr> </table>	linear	0.X	±0.30		0.XX	±0.10		0.XXX	±0.05	angular	0°	±2°	appr	Pei-Ming Zheng	2011/06/27	product family		GIG-Array		rev	D
linear	0.X	±0.30																				
	0.XX	±0.10																				
	0.XXX	±0.05																				
angular	0°	±2°																				
-				title		GIG-Array		dwg no		10107377												
		www.fci.com		cat. no.		Product - Customer Drw		sheet 2 of 5														

ProjE File - REV C - 2009-06-09



Copyright FCI.

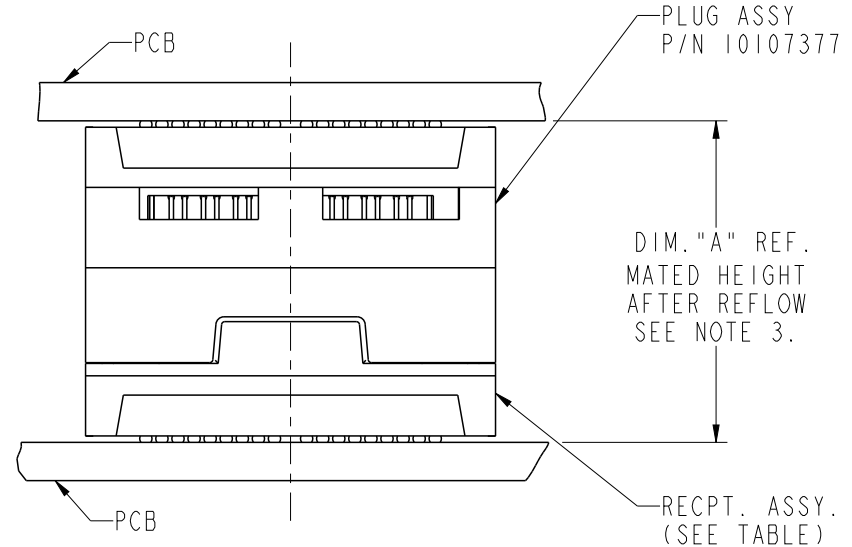
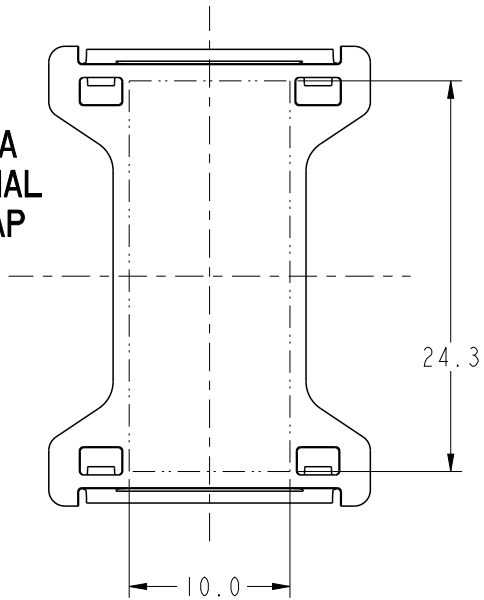


**PLUG INTERFACE DESCRIPTION**

spec ref *		dr <a href="#">Bill Lin</a> 2010/02/02		projection 	mm ←→	size A4	scale 3:10												
tolerance std ASME Y14.5		eng <a href="#">Nickor Zuo</a> 2011/06/01				ecn no ELX-DG-003943-1													
-		chr <a href="#">Alex Cao</a> 2011/06/24				rel level <b>Released</b>													
surface ✓		appr <a href="#">Pei-Ming Zheng</a> 2011/06/27		product family GIG-Array		rev <b>D</b>													
-		<table border="1"> <tr> <td>linear</td> <td>0.X</td> <td>±0.30</td> </tr> <tr> <td></td> <td>0.XX</td> <td>±0.10</td> </tr> <tr> <td></td> <td>0.XXX</td> <td>±0.05</td> </tr> <tr> <td>angular</td> <td>0°</td> <td>±2°</td> </tr> </table>		linear	0.X	±0.30		0.XX	±0.10		0.XXX	±0.05	angular	0°	±2°	 <b>GIG-Array</b> 10mm PLUG ASSY. 200 SIG. POS.		dwg no 10107377 sheet 3 of 5	
linear	0.X	±0.30																	
	0.XX	±0.10																	
	0.XXX	±0.05																	
angular	0°	±2°																	
-		www.fci.com		cat. no. *		Product - Customer Drw													

ProE File - REV C - 2009-06-09

FLAT AREA  
FOR OPTIONAL  
PICK-UP CAP



END VIEW OF MATED CONNECTORS

DIM. "A"	RECPT. ASSY. P/N
15	55740
20	10026010
21	10081496
25	55741



Copyright FCI.

spec ref	*	dr	Bill Lin	2010/02/02	projection 	mm 	size	A4	scale	3:10
tolerance std	TOLERANCES UNLESS OTHERWISE SPECIFIED	eng	Nickor Zuo	2011/06/01			ecn no	ELX-DG-003943-1		
ASME Y14.5		chr	Alex Cao	2011/06/24				rel level	Released	
-		appr	Pei-Ming Zheng	2011/06/27			product family		GIG-Array	
surface	linear	0.X	±0.30		title	GIG-Array	dwg no	10107377	rev	D
		0.XX	±0.10							
		0.XXX	±0.05							
-	angular	0°	±2°	www.fci.com	cat. no.	*	Product - Customer Drw	sheet 4 of 5		

PRODUCT NUMBER	SOLDER BALL COMPOSITION	CONTACT PLATING PERFORMANCE LEVEL
10107377-001	STANDARD (EUTECTIC)	PERFORMANCE-BASED PLATING, QUALIFIED TO MEET THE REQUIREMENTS OF FCI PRODUCT SPECIFICATION GS-12-192, INCLUDING TELCORDIA CENTRAL OFFICE
10107377-001LF	LEADFREE	

**NOTES:**

- ① MAT'L:  
HOUSING: LCP  
CONTACT: COPPER ALLOY  
PLATING (CONTACT): Au OVER Ni.  
UL RATING: 94 V-0  
SOLDERBALL: (SEE TABLE) EUTECTIC  
SnPb OR LEAD FREE 95.5 Sn/4Ag/0.5Cu.
- ② SOLDER BALLS WILL NOT BE PERFECT SPHERICAL SHAPE DUE TO REFLOW ATTACHMENT.
- ③ MATED HEIGHT EFFECTED BY CUSTOMERS' PCB PAD SIZE, PLATING, SOLDER REFLOW PROFILE & SOLDER PASTE.
- ④ CONTACTS IN ROWS A,C,E,G,J,K,M,P,R AND T ARE SINGLE BEAM CONTACTS, TYPICALLY USED AS GROUND PINS. (NOTE: CONTACTS IN ROWS J & K ARE TIED TOGETHER [COMMONED])
- ⑤ CONTACTS IN ROWS B,D,F,H,L,N,Q AND S ARE DUAL BEAM CONTACTS, TYPICALLY USED AS SIGNAL PINS.
- ⑥ SPECIFIED POSITIONAL TOLERANCE DEFINES PAD TO PAD LOCATION WITHIN LAND PATTERN. POSITIONAL TOLERANCE OF LAND PATTERN TO FUDICIAL MARKS OR PCB DATUMS SHALL BE DEFINED BY CUSTOMER. FOR RECOMMENDED PRODUCT APPLICATION AND PCB DESIGN DETAILS, SEE DOC. NO. GS-20-016.
- ⑦ FOR PROPER APPLICATION FOLLOW FCI APPLICATION SPECIFICATION GS-20-033. LEAD FREE SOLDER BALLS WILL NOT SOLDER PROPERLY IN A LEADED SOLDER PROCESS DUE TO A HIGHER REFLOW TEMPERATURE. LEADFREE PRODUCT IS THEREFORE NOT BACKWARDS COMPATIBLE WITH LEADED OR SOME SOLDERING APPLICATIONS. REFERENCE FCI APPLICATION SPECIFICATION.
- ⑧ THIS PRODUCT MEETS THE EUROPEAN UNION DIRECTIVES AND OTHER COUNTRY REGULATIONS AS DESCRIBED IN GS-22-008. PRODUCT MEETING THIS DIRECTIVE IS IDENTIFIED IN THE CODE NUMBER MARKED ON EACH PART BY HAVING AN "X" IN THE SEVENTH CHARACTER POSTION.



Copyright FCI.

spec ref	*	dr	Bill Lin	2010/02/02	projection	mm	size	A4	scale	3:10
tolerance std	TOLERANCES UNLESS OTHERWISE SPECIFIED	eng	Nickor Zuo	2011/06/01			ecn no	ELX-DG-003943-1		
ASME Y14.5		chr	Alex Cao	2011/06/24				product family	GIG-Array	rel level
-		appr	Pei-Ming Zheng	2011/06/27	product family	GIG-Array	rel level	Released		
surface	linear	0.X	±0.30		title	GIG-Array	dwg no	10107377	rev	D
-		0.XX	±0.10							
	0.XXX	±0.05								
	angular	0°	±2°	www.fci.com	cat. no.	*	Product - Customer Drw		sheet 5 of 5	