

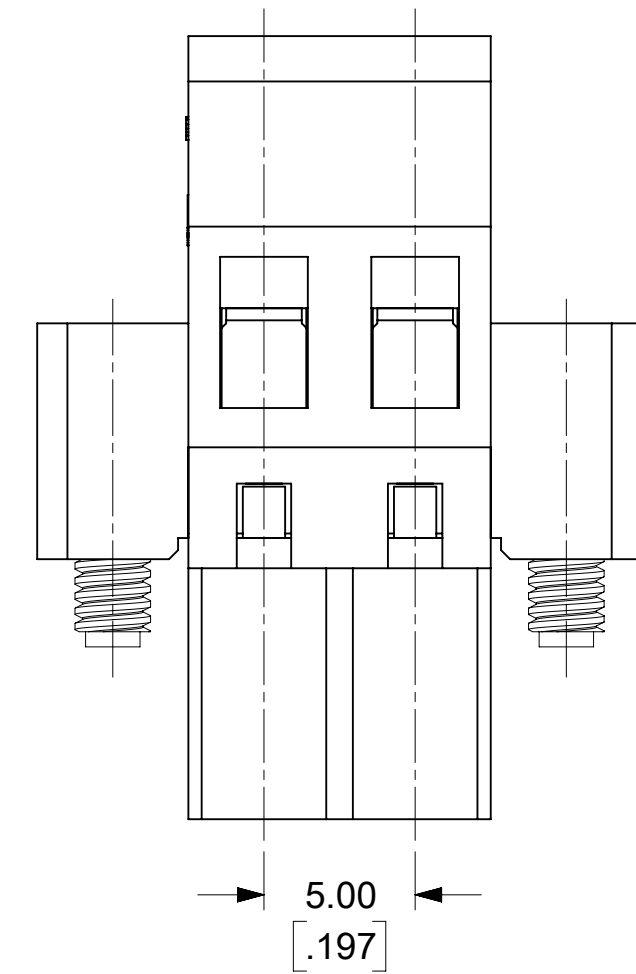
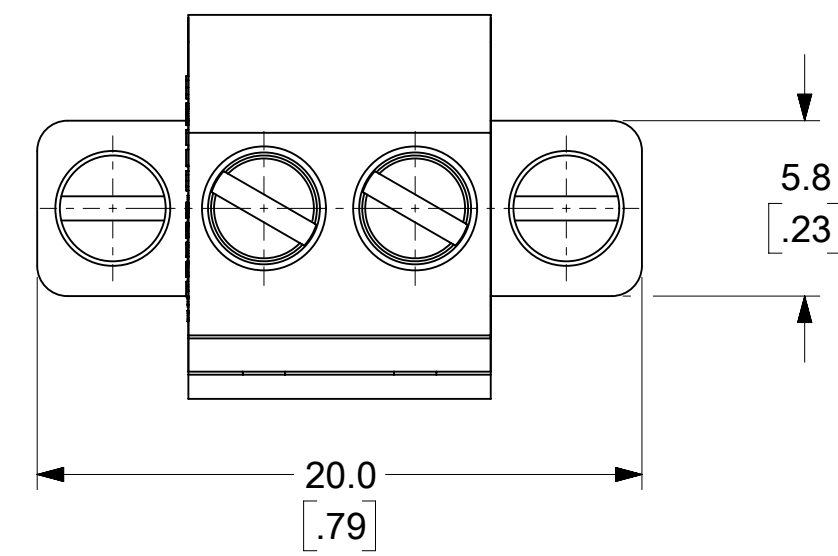
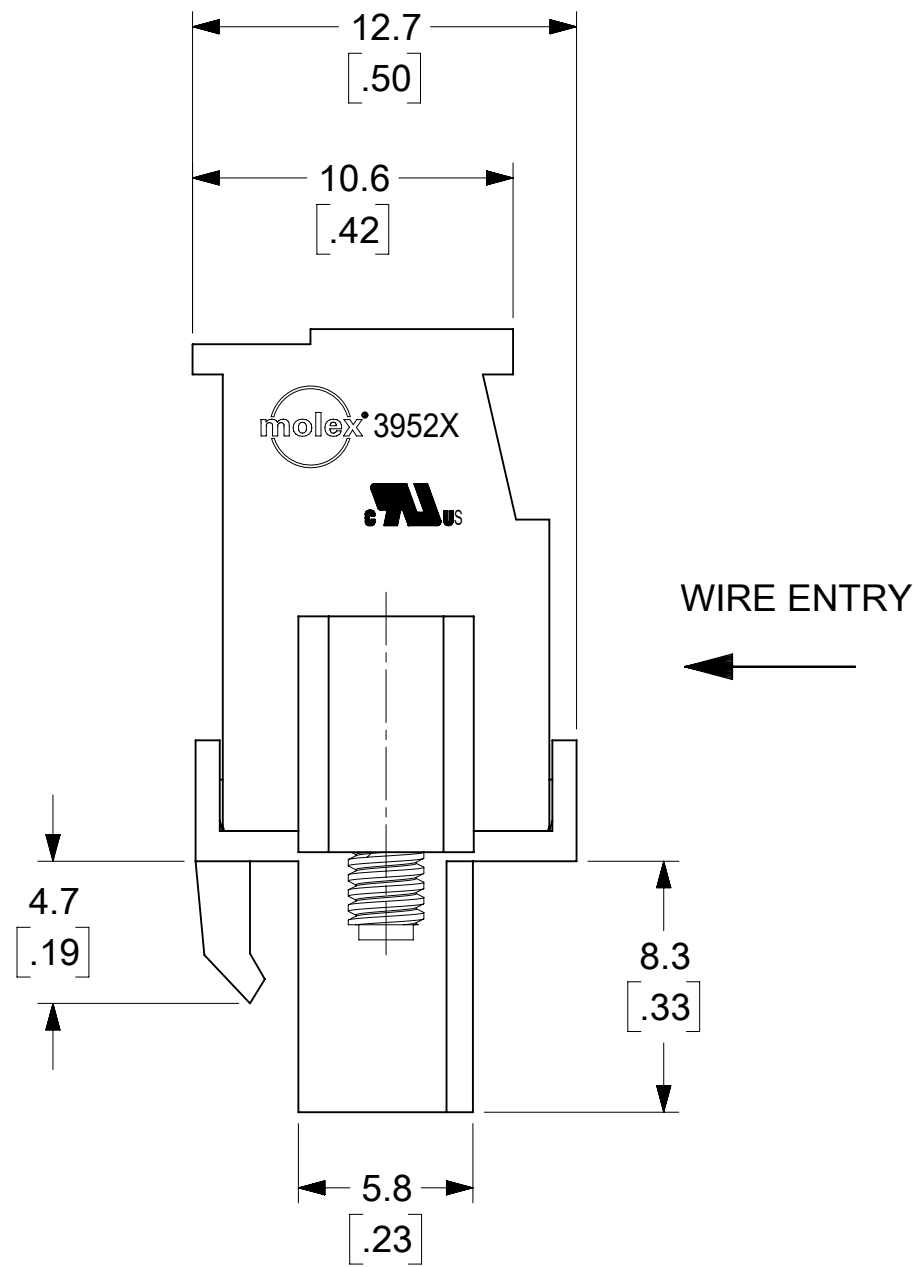
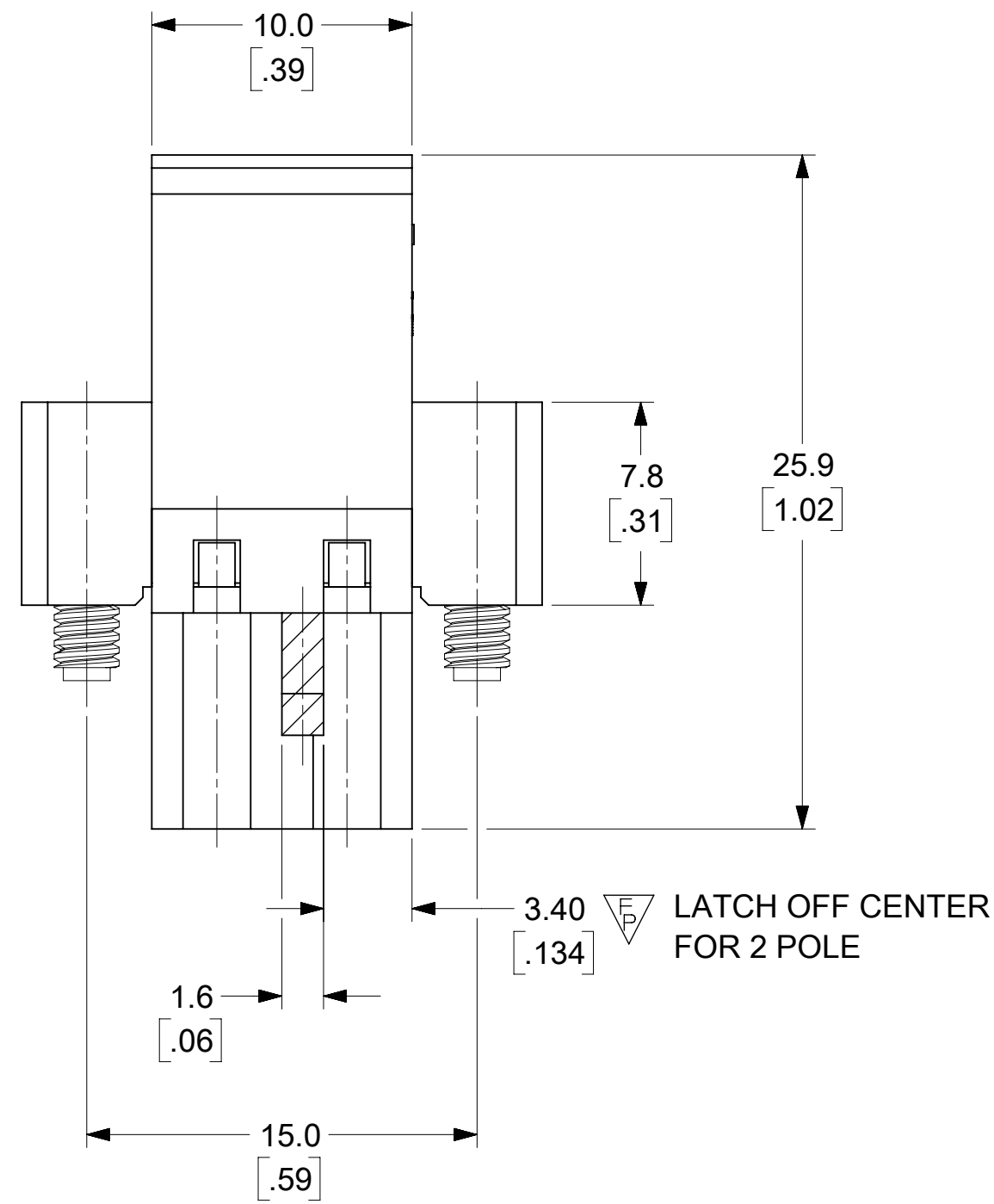
SPECIFICATIONS:

1. MATERIAL:
 - (A). BODY: PA66, UL94V-0
 - (B). M3 CLAMP SCREW: ZINC PLATED STEEL
 - (C). TERMINAL: TIN PLATED COPPER ALLOY
 - (D). CAGE: NICKEL PLATED BRASS
 - (E). COVER: PA66, UL94V-0
 - (F). MTG. SCREW: M2.5-STEEL, ZINC PLATED
2. WIRE RANGE: 12 - 30 AWG
3. ELECTRICAL RATING: 300V, 18A PER UL
4. WIRE STRIP LENGTH: 5.0mm.
5. OPERATING TEMPERATURE: -40°C to +105°C.
6. MAX TORQUE: 5 IN-LBS.
7. INSULATION RESISTANCE: DC 500V, 500MΩ.
8. DIELECTRIC WITHSTAND: AC 2500V FOR 1 MINUTE.
9. BREAKDOWN VOLTAGE: 4000V.
10. CONTACT RESISTANCE: 10 mΩ.

TOLERANCES			
MM	TOL	INCH	TOL
0-6	±0.25	0-.24	±.010
>6-30	±0.40	>.24-1.18	±.016
>30-120	±0.50	>1.18-4.76	±.020
>120	±0.80	>4.76	±.031

FUNCTIONAL SYMBOLS FA = 0 FC = 0 FE = 0 DIVISIONAL SYMBOLS	THIS DRAWING CONTAINS INFORMATION THAT IS PROPRIETARY TO MOLEX ELECTRONIC TECHNOLOGIES, LLC AND SHOULD NOT BE USED WITHOUT WRITTEN PERMISSION																							
	DIMENSION UNITS: MM/INCH SCALE: 4:1		CURRENT REV DESC: REMOVED PCB LAYOUT																					
	GENERAL TOLERANCES (UNLESS SPECIFIED)		EC NO: 750901 DRWN: ABENJAMINLW CHK'D: DACHAMMER APPR: JFMURPHY																					
	<table border="1"> <thead> <tr> <th></th> <th>MM</th> <th>INCH</th> </tr> </thead> <tbody> <tr> <td>4 PLACES</td> <td>± ---</td> <td>± ---</td> </tr> <tr> <td>3 PLACES</td> <td>± ---</td> <td>± SEE CHART</td> </tr> <tr> <td>2 PLACES</td> <td>± SEE CHART</td> <td>± SEE CHART</td> </tr> <tr> <td>1 PLACE</td> <td>± SEE CHART</td> <td>± ---</td> </tr> <tr> <td>0 PLACES</td> <td>± ---</td> <td>± ---</td> </tr> <tr> <td>ANGULAR TOL</td> <td>± ---</td> <td>± ---</td> </tr> </tbody> </table>			MM	INCH	4 PLACES	± ---	± ---	3 PLACES	± ---	± SEE CHART	2 PLACES	± SEE CHART	± SEE CHART	1 PLACE	± SEE CHART	± ---	0 PLACES	± ---	± ---	ANGULAR TOL	± ---	± ---	2023/05/24 2023/05/24 2023/05/25 INITIAL REVISION: DRWN: CYORK APPR: RDEROSS
	MM	INCH																						
4 PLACES	± ---	± ---																						
3 PLACES	± ---	± SEE CHART																						
2 PLACES	± SEE CHART	± SEE CHART																						
1 PLACE	± SEE CHART	± ---																						
0 PLACES	± ---	± ---																						
ANGULAR TOL	± ---	± ---																						
DRAFT WHERE APPLICABLE MUST REMAIN WITHIN DIMENSIONS		THIRD ANGLE PROJECTION	DRAWING: C-SIZE	SERIES: 39527																				
DOCUMENT STATUS: P1 RELEASE DATE: 2023/05/25 16:08:32		DOCUMENT NUMBER: SD-39527-002		DOC TYPE: PSD DOC PART: 001 REVISION: C3																				
MATERIAL NUMBER: SEE SHEET-3		CUSTOMER: GENERAL MARKET		SHEET NUMBER: 1 OF 3																				

SEE SHEET-1 FOR SPECIFICATIONS



2 POLE ASSEMBLY FOR STANDARD LATCH POSITION

TOLERANCES			
MM	TOL	INCH	TOL
0-6	±0.25	0-.24	±.010
>6-30	±0.40	.24-1.18	±.016
>30-120	±0.50	1.18-4.76	±.020
>120	±0.80	>4.76	±.031

FUNCTIONAL SYMBOLS	THIS DRAWING CONTAINS INFORMATION THAT IS PROPRIETARY TO MOLEX ELECTRONIC TECHNOLOGIES, LLC AND SHOULD NOT BE USED WITHOUT WRITTEN PERMISSION												
	DIMENSION UNITS	SCALE		CURRENT REV DESC: REMOVED PCB LAYOUT									
$\frac{F}{A} = 0$	MM/INCH	4:1		EC NO: 750901								5.0MM EURO PLUG ASSY	
$\frac{F}{C} = 0$	GENERAL TOLERANCES (UNLESS SPECIFIED)			DRWN: ABENJAMINLW 2023/05/24						VERTICAL RWE WITH MOUNTING ENDS			
DIVISIONAL SYMBOLS	4 PLACES	±	---	±	---	CHK'D: DACHAMMER 2023/05/24						PRODUCT CUSTOMER DRAWING	
	3 PLACES	±	---	±	SEE CHART	APPR: JFMURPHY 2023/05/25						DOCUMENT NUMBER	
	2 PLACES	±	SEE CHART	±	SEE CHART	INITIAL REVISION:						DOC TYPE DOC PART REVISION	
	1 PLACE	±	SEE CHART	±	---	DRWN: CYORK 2006/03/23						SD-39527-002 PSD 001 C3	
	0 PLACES	±	---	±	---	APPR: RDEROSS 2006/03/24						MATERIAL NUMBER CUSTOMER SHEET NUMBER	
	DRAFT WHERE APPLICABLE MUST REMAIN WITHIN DIMENSIONS			THIRD ANGLE PROJECTION		DRAWING	SERIES	MATERIAL NUMBER		CUSTOMER		SHEET NUMBER	
						C-SIZE	39527	SEE SHEET-3		GENERAL MARKET		2 OF 3	

DESCRIPTION	CIRCUIT SIZE	MATERIAL NUMBERS												DIMENSIONAL INFORMATION					
		BLACK						GREEN											
		100% TIN			30 u" GOLD			100% TIN			30 u" GOLD			DIM. "A"		DIM. "B"		DIM. "C"	
		PRINTING OPTIONS			PRINTING OPTIONS			PRINTING OPTIONS			PRINTING OPTIONS			mm	inch	mm	inch	mm	inch
		None	10AV	11AV	None	10AV	11AV	None	10AV	11AV	None	10AV	11AV	mm	inch	mm	inch	mm	inch
5.0MM, EURO PLUG, VERTICAL RWE, MOUNTING ENDS	2	395272002	395272302	395272402	395272502	395272802	395272902	395277002	395277302	395277402	395277502	395277802	395277902	20.0	.79	5.00	.197	15.0	.59
5.0MM, EURO PLUG, VERTICAL RWE, MOUNTING ENDS	3	395272003	395272303	395272403	395272503	395272803	395272903	395277003	395277303	395277403	395277503	395277803	395277903	25.0	.98	10.00	.394	20.0	.79
5.0MM, EURO PLUG, VERTICAL RWE, MOUNTING ENDS	4	395272004	395272304	395272404	395272504	395272804	395272904	395277004	395277304	395277404	395277504	395277804	395277904	30.0	1.18	15.00	.591	25.0	.98
5.0MM, EURO PLUG, VERTICAL RWE, MOUNTING ENDS	5	395272005	395272305	395272405	395272505	395272805	395272905	395277005	395277305	395277405	395277505	395277805	395277905	35.0	1.38	20.00	.787	30.0	1.18
5.0MM, EURO PLUG, VERTICAL RWE, MOUNTING ENDS	6	395272006	395272306	395272406	395272506	395272806	395272906	395277006	395277306	395277406	395277506	395277806	395277906	40.0	1.57	25.00	.984	35.0	1.38
5.0MM, EURO PLUG, VERTICAL RWE, MOUNTING ENDS	7	395272007	395272307	395272407	395272507	395272807	395272907	395277007	395277307	395277407	395277507	395277807	395277907	45.0	1.77	30.00	1.181	40.0	1.57
5.0MM, EURO PLUG, VERTICAL RWE, MOUNTING ENDS	8	395272008	395272308	395272408	395272508	395272808	395272908	395277008	395277308	395277408	395277508	395277808	395277908	50.0	1.97	35.00	1.378	45.0	1.77
5.0MM, EURO PLUG, VERTICAL RWE, MOUNTING ENDS	9	395272009	395272309	395272409	395272509	395272809	395272909	395277009	395277309	395277409	395277509	395277809	395277909	55.0	2.17	40.00	1.575	50.0	1.97
5.0MM, EURO PLUG, VERTICAL RWE, MOUNTING ENDS	10	395272010	395272310	395272410	395272510	395272810	395272910	395277010	395277310	395277410	395277510	395277810	395277910	60.0	2.36	45.00	1.772	55.0	2.17
5.0MM, EURO PLUG, VERTICAL RWE, MOUNTING ENDS	11	395272011	395272311	395272411	395272511	395272811	395272911	395277011	395277311	395277411	395277511	395277811	395277911	65.0	2.56	50.00	1.969	60.0	2.36
5.0MM, EURO PLUG, VERTICAL RWE, MOUNTING ENDS	12	395272012	395272312	395272412	395272512	395272812	395272912	395277012	395277312	395277412	395277512	395277812	395277912	70.0	2.76	55.00	2.165	65.0	2.56
5.0MM, EURO PLUG, VERTICAL RWE, MOUNTING ENDS	13	395272013	395272313	395272413	395272513	395272813	395272913	395277013	395277313	395277413	395277513	395277813	395277913	75.0	2.95	60.00	2.362	70.0	2.76
5.0MM, EURO PLUG, VERTICAL RWE, MOUNTING ENDS	14	395272014	395272314	395272414	395272514	395272814	395272914	395277014	395277314	395277414	395277514	395277814	395277914	80.0	3.15	65.00	2.559	75.0	2.95
5.0MM, EURO PLUG, VERTICAL RWE, MOUNTING ENDS	15	395272015	395272315	395272415	395272515	395272815	395272915	395277015	395277315	395277415	395277515	395277815	395277915	85.0	3.35	70.00	2.756	80.0	3.15
5.0MM, EURO PLUG, VERTICAL RWE, MOUNTING ENDS	16	395272016	395272316	395272416	395272516	395272816	395272916	395277016	395277316	395277416	395277516	395277816	395277916	90.0	3.54	75.00	2.953	85.0	3.35
5.0MM, EURO PLUG, VERTICAL RWE, MOUNTING ENDS	17	395272017	395272317	395272417	395272517	395272817	395272917	395277017	395277317	395277417	395277517	395277817	395277917	95.0	3.74	80.00	3.150	90.0	3.54
5.0MM, EURO PLUG, VERTICAL RWE, MOUNTING ENDS	18	395272018	395272318	395272418	395272518	395272818	395272918	395277018	395277318	395277418	395277518	395277818	395277918	100.0	3.94	85.00	3.346	95.0	3.74
5.0MM, EURO PLUG, VERTICAL RWE, MOUNTING ENDS	19	395272019	395272319	395272419	395272519	395272819	395272919	395277019	395277319	395277419	395277519	395277819	395277919	105.0	4.13	90.00	3.543	100.0	3.94
5.0MM, EURO PLUG, VERTICAL RWE, MOUNTING ENDS	20	395272020	395272320	395272420	395272520	395272820	395272920	395277020	395277320	395277420	395277520	395277820	395277920	110.0	4.33	95.00	3.740	105.0	4.13
5.0MM, EURO PLUG, VERTICAL RWE, MOUNTING ENDS	21	395272021	395272321	395272421	395272521	395272821	395272921	395277021	395277321	395277421	395277521	395277821	395277921	115.0	4.53	100.00	3.937	110.0	4.33
5.0MM, EURO PLUG, VERTICAL RWE, MOUNTING ENDS	22	395272022	395272322	395272422	395272522	395272822	395272922	395277022	395277322	395277422	395277522	395277822	395277922	120.0	4.72	105.00	4.134	115.0	4.53
5.0MM, EURO PLUG, VERTICAL RWE, MOUNTING ENDS	23	395272023	395272323	395272423	395272523	395272823	395272923	395277023	395277323	395277423	395277523	395277823	395277923	125.0	4.92	110.00	4.331	120.0	4.72
5.0MM, EURO PLUG, VERTICAL RWE, MOUNTING ENDS	24	395272024	395272324	395272424	395272524	395272824	395272924	395277024	395277324	395277424	395277524	395277824	395277924	130.0	5.12	115.00	4.528	125.0	4.92

TOLERANCES			
MM	TOL	INCH	TOL
0-6	±0.25	0-.24	±.010
>6-30	±0.40	.24-1.18	±.016
>30-120	±0.50	1.18-4.76	±.020
>120	±0.80	>4.76	±.031

FUNCTIONAL SYMBOLS	THIS DRAWING CONTAINS INFORMATION THAT IS PROPRIETARY TO MOLEX ELECTRONIC TECHNOLOGIES, LLC AND SHOULD NOT BE USED WITHOUT WRITTEN PERMISSION											
FA = 0	DIMENSION UNITS	SCALE	CURRENT REV DESC: REMOVED PCB LAYOUT									
FC = 0	MM/INCH	1:1	<p>molex</p> <p>5.0MM EURO PLUG ASSY VERTICAL RWE WITH MOUNTING ENDS</p> <p>EC NO: 750901 DRWN: ABENJAMINLW 2023/05/24 CHK'D: DACHAMMER 2023/05/24 APPR: JFMURPHY 2023/05/25</p> <p>PRODUCT CUSTOMER DRAWING</p>									
FP = 0	GENERAL TOLERANCES (UNLESS SPECIFIED)											
DIVISIONAL SYMBOLS	4 PLACES	± --- ± ---	MM	INCH								
	3 PLACES	± --- ± ---	SEE CHART	SEE CHART								
	2 PLACES	± --- ± ---	SEE CHART	SEE CHART								
	1 PLACE	± --- ± ---	SEE CHART	SEE CHART								
	0 PLACES	± --- ± ---	SEE CHART	SEE CHART								
	ANGULAR TOL	± ---	THIRD ANGLE PROJECTION									
	DRAFT WHERE APPLICABLE MUST REMAIN WITHIN DIMENSIONS		DRAWING	SERIES	DOCUMENT NUMBER	DOC TYPE	DOC PART	REVISION				
			C-SIZE	39527	SD-39527-002	PSD	001	C3				
			SEE CHART	GENERAL MARKET	MATERIAL NUMBER		CUSTOMER		SHEET NUMBER			
								3 OF 3				