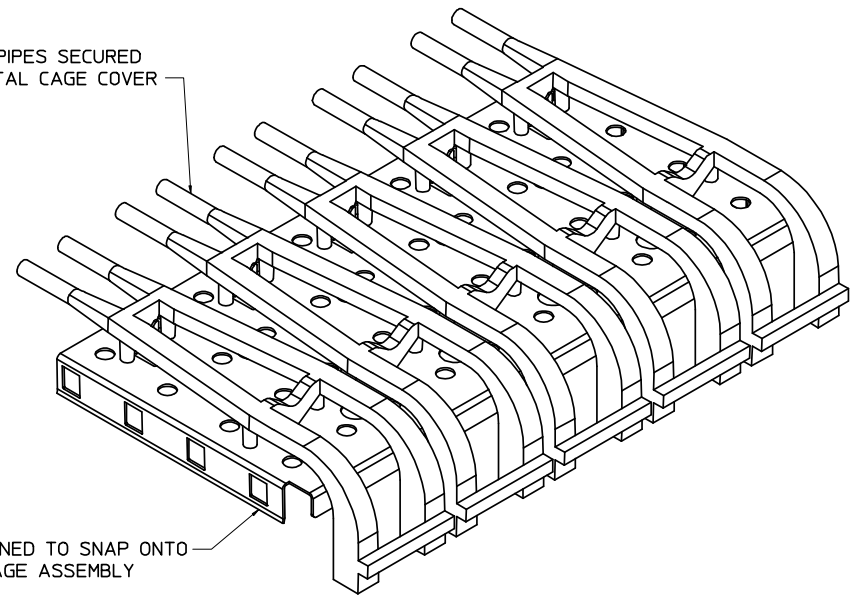
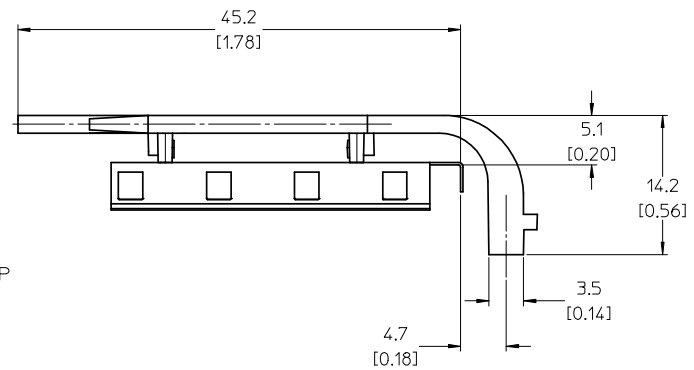
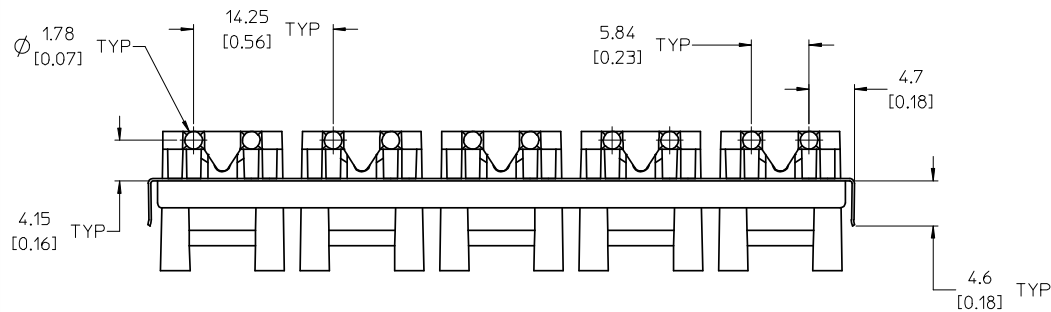


LIGHT PIPES SECURED TO METAL CAGE COVER



COVER DESIGNED TO SNAP ONTO THE SFP+ CAGE ASSEMBLY

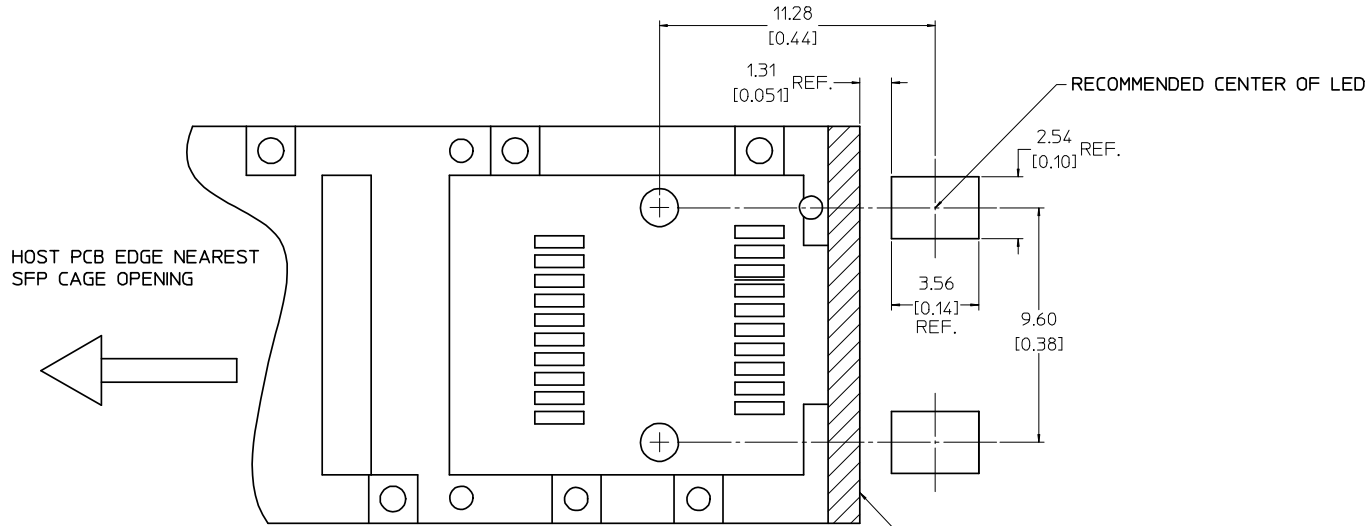
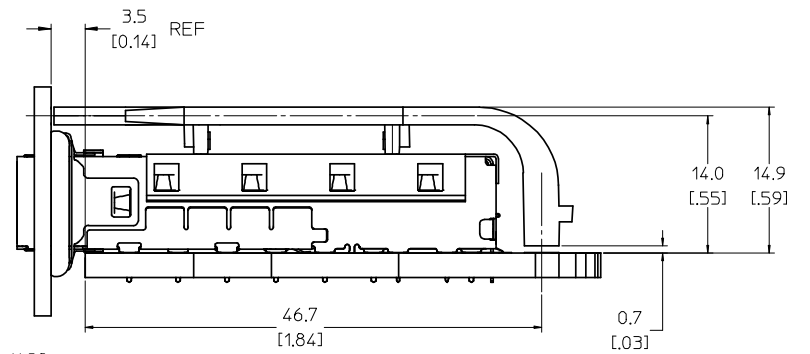
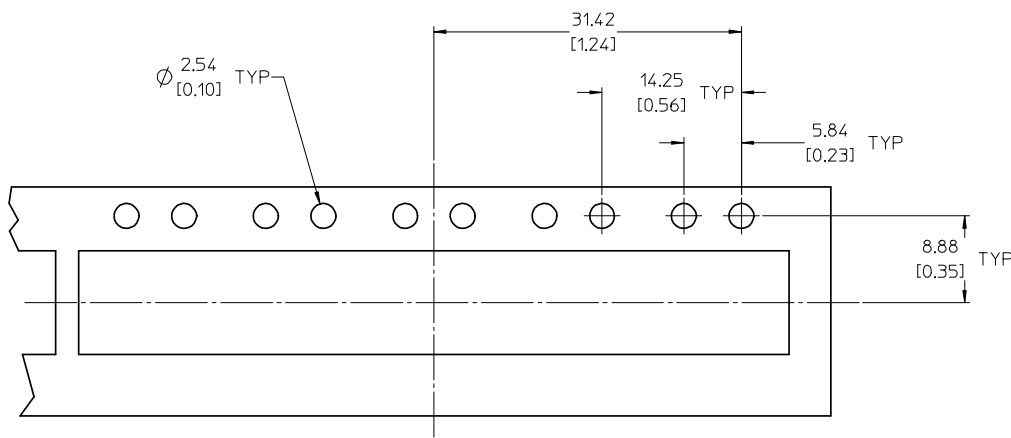


- MATERIAL:
COVER: COPPER ALLOY
LIGHT PIPE: POLYCARBONATE (94-V0 RATED)
- THIS LIGHT PIPE ASSEMBLY IS TO BE USED WITH THE SFP+ 1X5 CAGE ASSEMBLY P/N 7475405**
- THIS PART MEETS THE RESTRICTION OF HAZARDOUS SUBSTANCES IN ELECTRICAL AND ELECTRONIC EQUIPMENT (RoHS) DIRECTIVE 92002/95/EC

ENTER DESCRIPTION IEC NO: USY2008-0444 DRAWN BY: CHYKOKI ANOTA 2008/05/12 APPR: K. ANOTA 2008/05/13	QUALITY SYMBOLS ▽=0 ▽=0	GENERAL TOLERANCES (UNLESS SPECIFIED)		DIMENSION STYLE MM/IN	SCALE 4:1	DESIGN UNITS METRIC	<input checked="" type="checkbox"/> THIRD ANGLE <input type="checkbox"/> PROJECTION
		4 PLACES ± --- ± --- 3 PLACES ± --- ± --- 2 PLACES ± 0.15 ± --- 1 PLACE ± 0.25 ± --- ANGULAR ± 1°	DRAWN BY: J. REEVES 2007/12/18 CHECKED BY: A. JOHNSTON 2007/12/19 APPROVED BY: K. MONROE 2007/12/19	MATERIAL NO: 747540052	DOCUMENT NO: SD-74754-0052	SFP+ 1X5 LIGHT PIPE ASSEMBLY, CUSTOM	MOLEX INCORPORATED

DRAFT WHERE APPLICABLE MUST REMAIN WITHIN DIMENSIONS

THIS DRAWING CONTAINS INFORMATION THAT IS PROPRIETARY TO MOLEX INCORPORATED AND SHOULD NOT BE USED WITHOUT WRITTEN PERMISSION



HOST PCB LAYOUT NOTES (SCALE 10:1)

1. LED SHOULD BE PLACED RELATIVE TO THE SFP CONNECTOR POST HOLES
2. LAYOUT APPLIES TO EACH PORT

ENTER DESCRIPTION EC NO: USY2008-0444 DRAWN BY: CHYOKI ANOTA 2008/05/12 CHECKED BY: APPR:K JANOTA 2008/05/13 REV DESCRIPTION	QUALITY SYMBOLS ▽=0 ▽=0		GENERAL TOLERANCES (UNLESS SPECIFIED) <table border="1"> <thead> <tr> <th></th> <th>mm</th> <th>INCH</th> </tr> </thead> <tbody> <tr> <td>4 PLACES</td> <td>± .15</td> <td>± .005</td> </tr> <tr> <td>3 PLACES</td> <td>± .10</td> <td>± .004</td> </tr> <tr> <td>2 PLACES</td> <td>± 0.15</td> <td>± .005</td> </tr> <tr> <td>1 PLACE</td> <td>± 0.25</td> <td>± .010</td> </tr> </tbody> </table>			mm	INCH	4 PLACES	± .15	± .005	3 PLACES	± .10	± .004	2 PLACES	± 0.15	± .005	1 PLACE	± 0.25	± .010	DIMENSION STYLE MM/IN	SCALE 1:1	DESIGN UNITS METRIC	THIRD ANGLE PROJECTION
		mm	INCH																				
	4 PLACES	± .15	± .005																				
	3 PLACES	± .10	± .004																				
2 PLACES	± 0.15	± .005																					
1 PLACE	± 0.25	± .010																					
DRAFT WHERE APPLICABLE MUST REMAIN WITHIN DIMENSIONS			MATERIAL NO. 747540052	DATE 2007/12/18	DATE 2007/12/19	TITLE SFP+ 1X5 LIGHT PIPE ASSEMBLY, CUSTOM																	
			SIZE D	APPROVED BY K. MONROE 2007/12/19		MOLEX INCORPORATED																	
			DOCUMENT NO. SD-74754-0052		SHEET NO. 2 OF 2																		