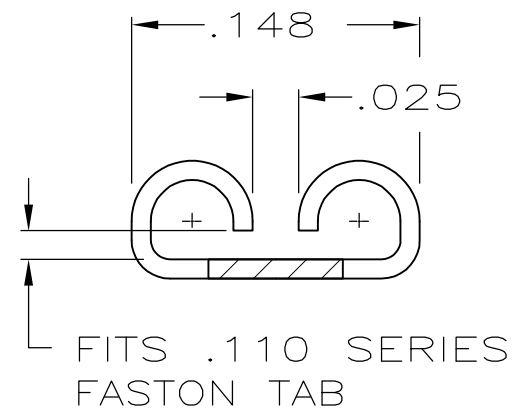
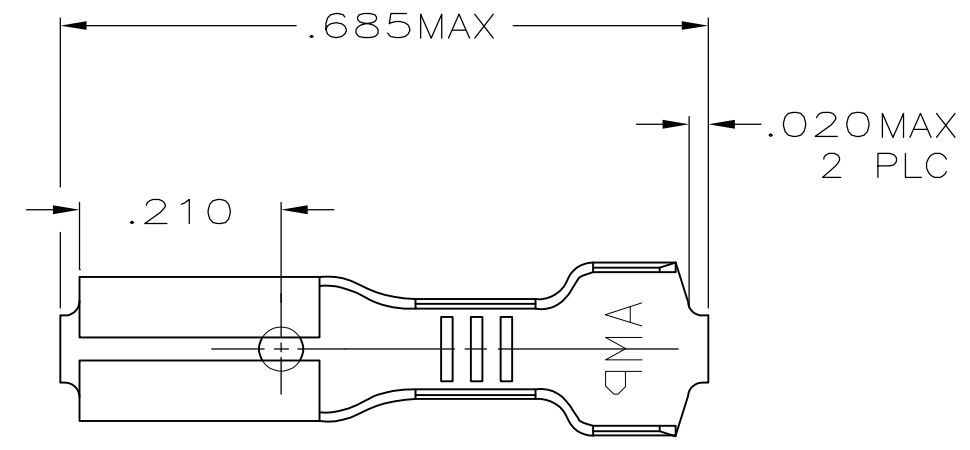


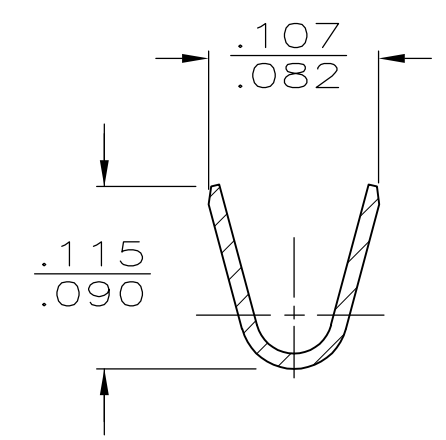
THIS DRAWING IS UNPUBLISHED. RELEASED FOR PUBLICATION
 © COPYRIGHT - By - ALL RIGHTS RESERVED.

LOC	DIST	REVISIONS					
AF	50	P	LTR	DESCRIPTION	DATE	DWN	APVD
		K		REVISED PER ECR-12-013445	18OCT12	KH	PD

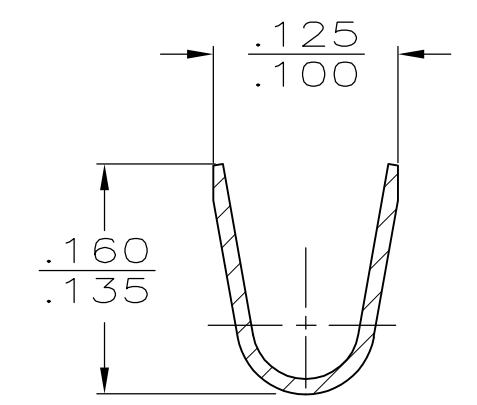
1 SUPPLIED IN LOOSE PIECE



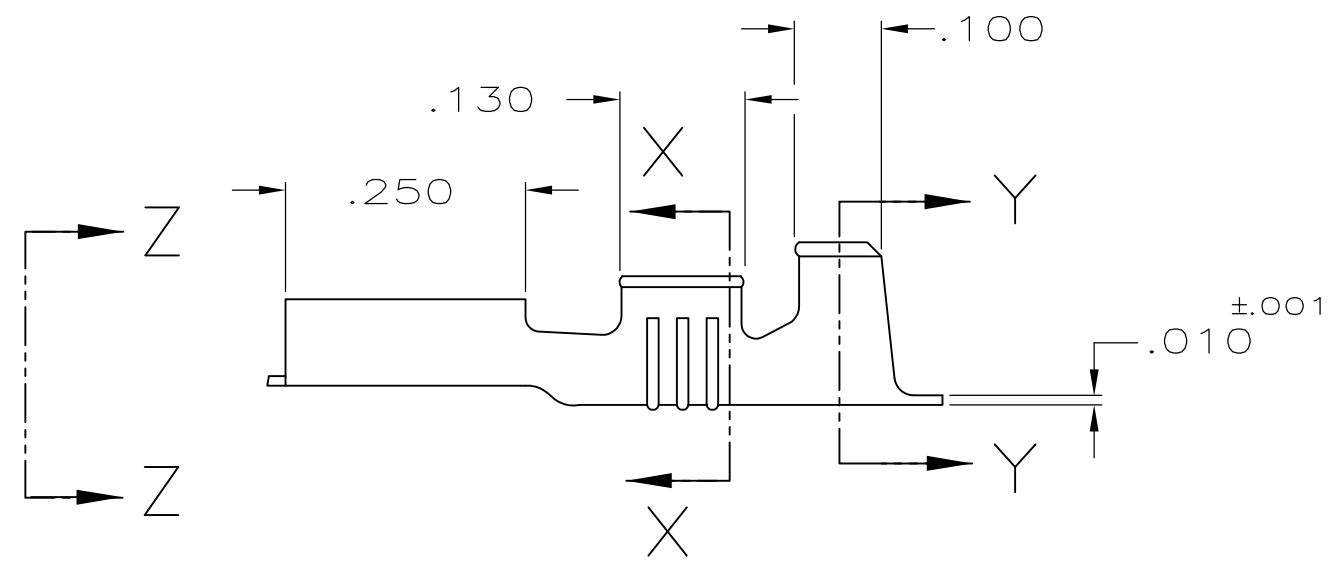
VIEW Z-Z



SECTION X-X
SCALE 10:1



SECTION Y-Y
SCALE 10:1



OBSOLETE	GOLD	.060-.100	22-18 AWG	.020	42470-2
	PRE-TIN	.060-.100	22-18 AWG	.020	42470-1
	FINISH	INSUL RANGE	WIRE SIZE	MATING TAB THK ±.001	PART NO

THIS DRAWING IS A CONTROLLED DOCUMENT.		DWN	JR RUTH	12/20/90	TE Connectivity RECEPTACLE, FASTON, .110 SERIES
DIMENSIONS: INCHES		CHK	MS FEHER	12/20/90	
TOLERANCES UNLESS OTHERWISE SPECIFIED:		APVD	C MEYERS	12/21/90	
0 PLC ± - 1 PLC ± - 2 PLC ± - 3 PLC ± .015 4 PLC ± - ANGLES ± -		PRODUCT SPEC		NAME	
MATERIAL	BRASS	FINISH	SEE TABLE	WEIGHT	-
CUSTOMER DRAWING		SIZE	A3	CAGE CODE	00779
SCALE		5:1	DRAWING NO	C-42470	RESTRICTED TO
SHEET		1 OF 1	REV	K	