

Features

- Low Loss
- Low Ripple
- High Rejection

Description

Surface mount, silver (Ag) coated ceramic duplexer. Developed for use in 700 MHz subscriber and infrastructure applications.

Weight: 3.9 grams typical

Material: Filter is composed of a ceramic block plated with Ag and a shield made of nickel silver plated steel.

Filter complies with RoHS standards.



Electrical Specifications

Parameter	Frequency MHz	Typical @ 25°C	Specification @ 25°C	Spec over -40°C to +85°C
Low Band Response (S21)				
Passband Iloss	746 - 757	-2.9	-3.40	-3.50
Passband Ripple	746 - 757	2.1	2.40	2.50
Passband Return Loss @ Port 1	746 - 757	-11.0	-10.00	-10.00
Passband Return Loss @ Port 2	746 - 757	-11.0	-10.00	-10.00
Attenuation	776 - 787	-52.0	-50.00	-49.00
High Band Response (S13)				
Passband Iloss	776 - 787	-3.2	-3.40	-3.80
Passband Ripple	776 - 787	2.7	2.90	3.00
Passband Return Loss @ Port 1	776 - 787	-11.0	-10.00	-10.00
Passband Return Loss @ Port 2	776 - 787	-11.0	-10.00	-10.00
Attenuation	746 - 757	-41.0	-39.00	-38.00
Isolation (S23)				
Rejection @ Low Band	746 - 757	-43.0	-41.00	-40.00
Rejection @ High Band	776 - 787	-53.0	-51.00	-50.00
Power into any port		3 Watt max		

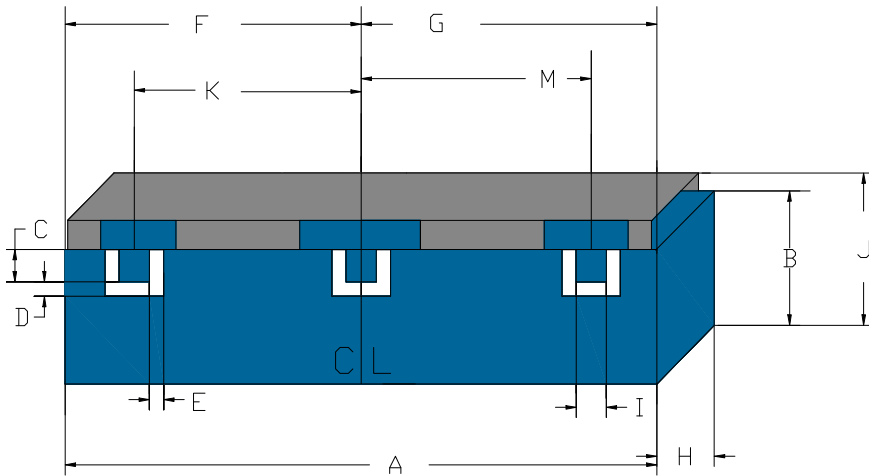
Note: Supplier shall test each filter to the critical electrical specifications of the above table. Any subsequent audits may deviate from in value due to measurement repeatability among different test systems. Such deviations shall not exceed the following limits:

Specification Allowance	
Insertion Loss	0.1 dB
Return Loss	1.0 dB
Stopbands	1.0 dB

*This product is covered by one or more of the following U.S. and foreign patents including: US 4,692,726;US 4,742,562; US 4,800,348;US 4,829,274;US 5,146,193;EP 0573597;DE 0573597;FR 0573597;JP 508149/92;KR 142171;US 5,162,760;US 5,218,329;US 5,250,916;US 5,327,109;US 5,488,335;CA 2114029;FR 9306297;GB 2273393;JP 3205337;KR 115113;CN 93106228.4;US 5,512,866;EP 0706719;DE 0706719;FR 0706719;GB 0706719;CN 95190359.4;US 5,602,518;US 5,721,520;US 5,745,018;EP 0910875;DE 0910875;DK 0910875;FR 0910875;GB 0910875;IE 0910875;JP 505182/98;KR 10-323013;US 5,994,978;US 6,462,629;CN 00810420.4;US 6,559,735;US 6,650,202;US 6,834,429. Other US and foreign patents pending.

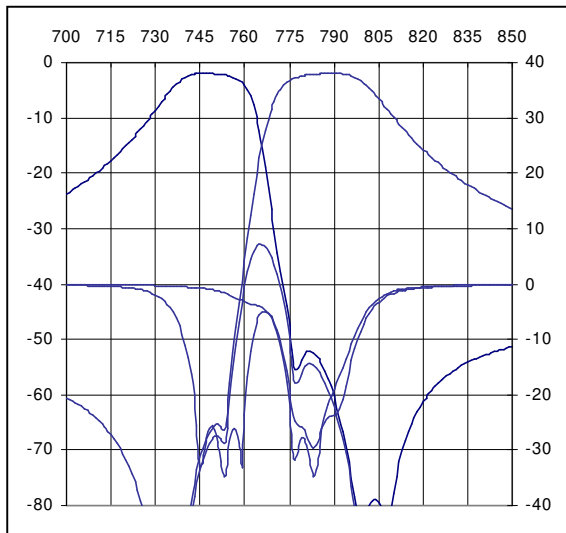
CTS Corporation 2006 reserves all copyrights in the layout, design and configuration of the patterns on this product.

Mechanical Drawing

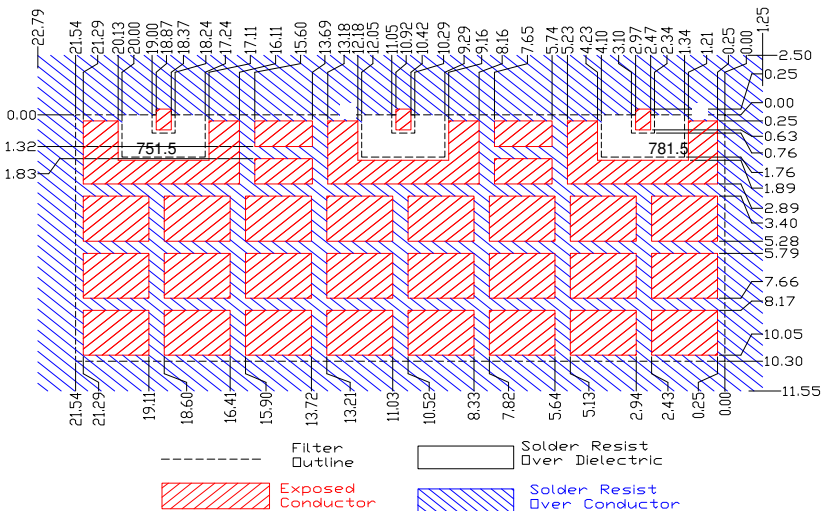


Dimension	Nominal (mm)	Tolerance (mm) +/-
A	21.54	Max
B	10.30	max
C	0.76	0.13
D	1.00	0.13
E	1.00	0.13
F	10.67	0.13
G	10.67	0.13
H	4.00	max
I	0.76	0.13
J	11.30	max
K	7.95	0.13
M	7.95	0.13

Electrical response



PCB Layout

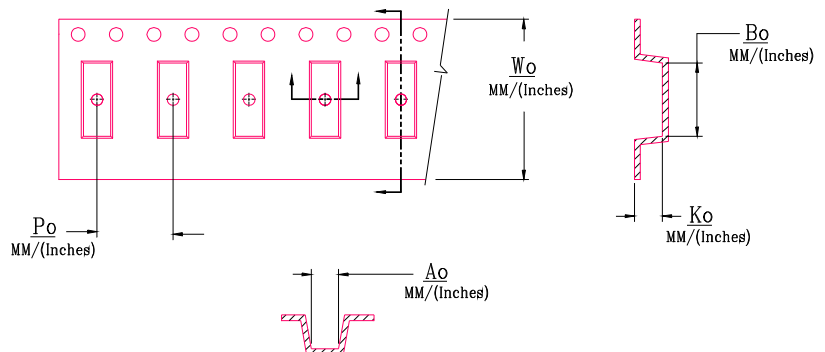
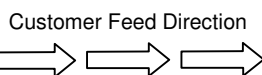


Packaging and Marking

DIMENSION	UNITS	SPECIFICATION
REEL DIAMETER	mm	330
REEL WEIGHT	kg	2.7
REEL QUANTITY	ea.	500

Product Marking

CTS
687
YWW



Wo	Ao	Bo	Ko	Po
Inches/mm	Inches/mm	Inches/mm	Inches/mm	Inches/mm
2.26/32.0	0.457/11.6	0.86/21.85	0.169/4.3	0.629/16.0