

NOTE :

1.MATERIAL :  
 △ B HOUSING :HIGH TEMP THERMOPLASTIC,UL94-V0  
 COLOR:SEE TABLE.  
 TERMINAL :PHOSPHOR BRONZE  
 METAL SHELL :SPCC  
 BRACKET :SPCC  
 BOARD LOCK :BRASS  
 NUT :BRASS

2.PLATING :  
 TERMINAL :  
 CONTACT AREA :GOLD(Au) FLASH  
 SOLDER TAIL :TIN(Sn),THICKNESS=100 MICREINCH MIN/2.54 MICROMETER MIN.  
 UNDER PLATE :NICKEL(NI)

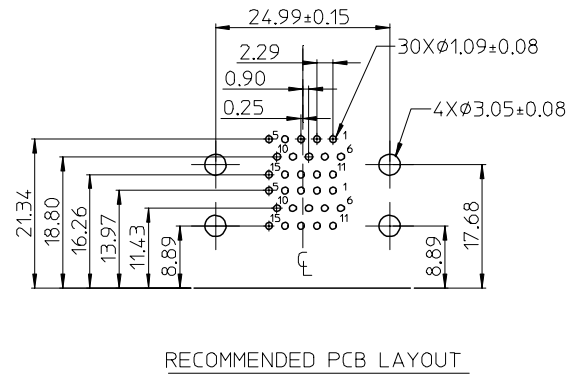
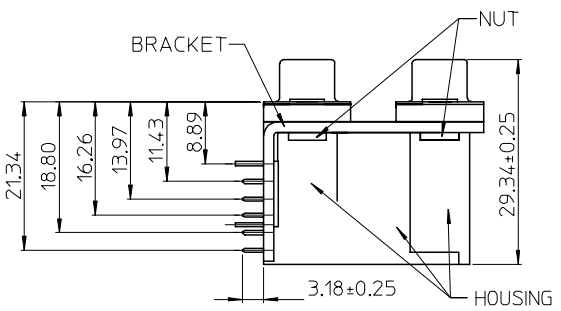
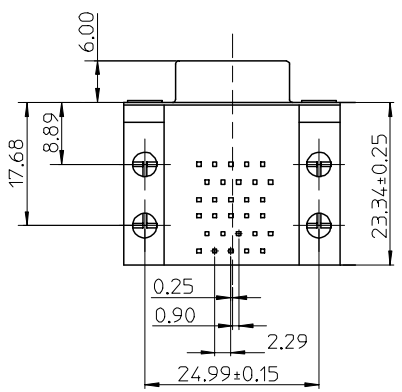
△ B METAL SHELL :TIN (Sn),THICKNESS=80 MICREINCH MIN/2.03 MICROMETER MIN.  
 UNDER PLATE : COPPER(Cu).

△ B BRACKET :TIN (Sn),THICKNESS=50 MICREINCH MIN/1.27 MICROMETER MIN.

△ B NUT :TIN(Sn), THICKNESS=30 MICROINCH MIN. / 0.76 MICROMETER MIN.

3.RECOMMANED PCB THICKNESS :1.60+/-0.05mm  
 4.PRODUCT SPECIFICATION : REFER TO PS-48145-001  
 5.TEST SUMMARY REFER TO TS-48145-001  
 △ B 6.LEAD FREE AND ROHS COMPLIANCE PRODUCT.

| P/N        | HOUSING COLOR  |
|------------|--|
| 48145-0001 | UPPER CONNECTOR-BLACK<br>LOWER CONNECTOR-BLACK                             |
| 48145-1000 | UPPER CONNECTOR-BLACK<br>LOWER CONNECTOR-PANTONE #661C :BLUE               |
| 48145-2000 | UPPER CONNECTOR-PANTONE #661C :BLUE<br>LOWER CONNECTOR-PANTONE #661C :BLUE |



|   |                               |                                       |        |  |                           |       |   |                        |                     |
|---|-------------------------------|---------------------------------------|--------|--|---------------------------|-------|---|------------------------|---------------------|
| PDR-CM0059/EWR-2005-0117<br>EC NO: SH2005-0335<br>DRWN:ALLIN 2005/06/10<br>CHKD: 2005/06/17<br>APPR:WMSCHANG 2005/06/17 | QUALITY SYMBOLS<br>▽=0<br>∇=0 | GENERAL TOLERANCES (UNLESS SPECIFIED) |        | DIMENSION STYLE<br>MM ONLY                           |                           | SCALE | DESIGN UNITS<br>METRIC  | THIRD ANGLE PROJECTION |                     |
|   |                               |                                       | mm     | INCH   | DRAWN BY<br>LINDA         | DATE  | TITLE<br>D SUBMINIATURE, RIGHT ANGLE STACK CONNECTOR (LEAD FREE VERSION)  |                        |                     |
|   |                               | 4 PLACES                              | ± ---  | ± ---  | CHECKED BY<br>ALLEN       | DATE  | MOLEX INCORPORATED  |                        |                     |
|   |                               | 3 PLACES                              | ± ---  | ± ---  | APPROVED BY<br>WILSON     | DATE  | DOCUMENT NO.<br>SD-48145-001  |                        | SHEET NO.<br>1 OF 1 |
|   |                               | 2 PLACES                              | ± 0.25 | ± ---  | MATERIAL NO.<br>SEE TABLE |       |   |                        |                     |
|   |                               | 1 PLACE                               | ± 0.25 | ± ---  | SIZE<br>A 4               |       | THIS DRAWING CONTAINS INFORMATION THAT IS PROPRIETARY TO MOLEX INCORPORATED AND SHOULD NOT BE USED WITHOUT WRITTEN PERMISSION |                        |                     |
|   |                               | ANGULAR ± 3 °                         |        | DRAFT WHERE APPLICABLE MUST REMAIN WITHIN DIMENSIONS |                           |       |   |                        |                     |