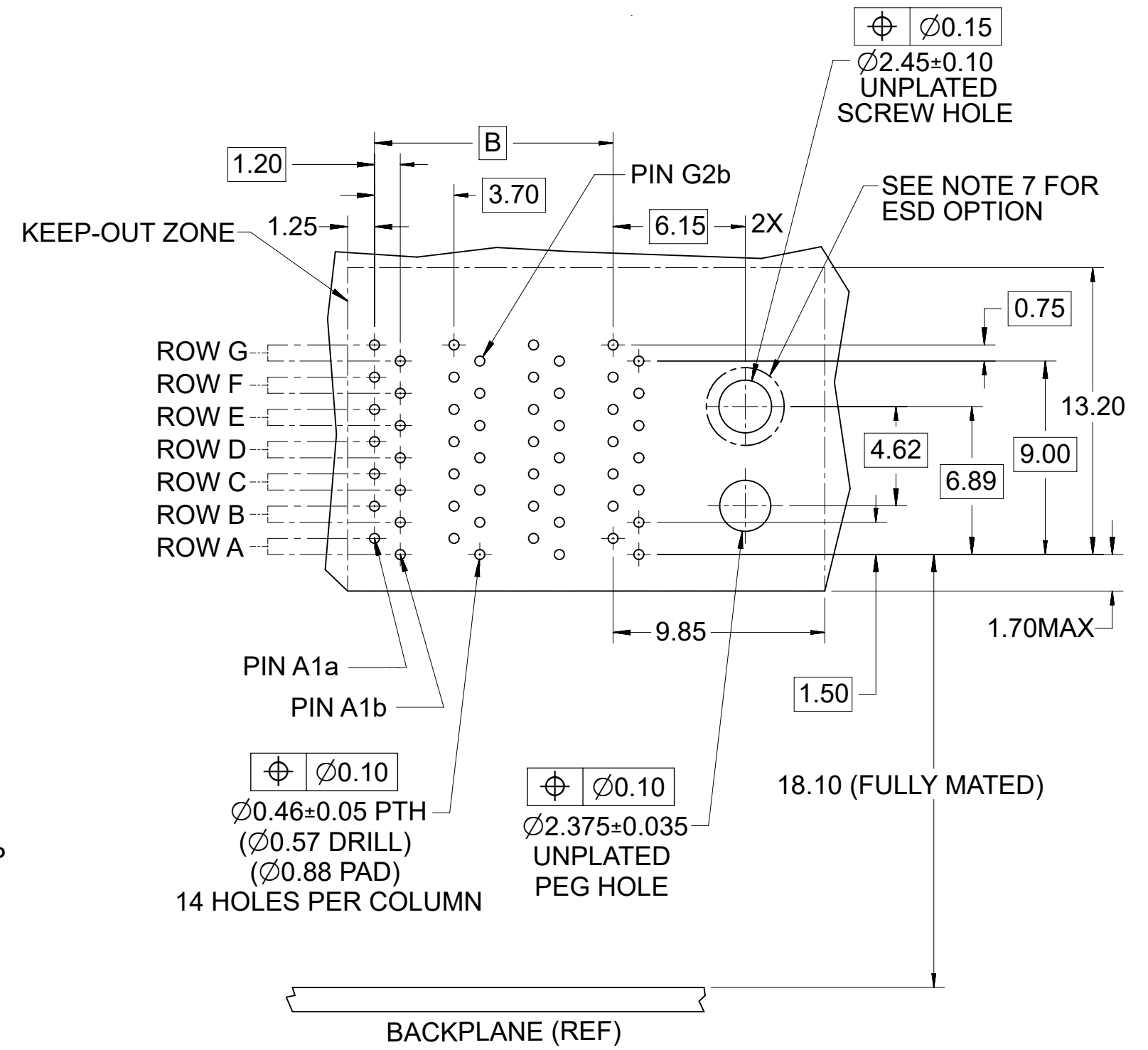
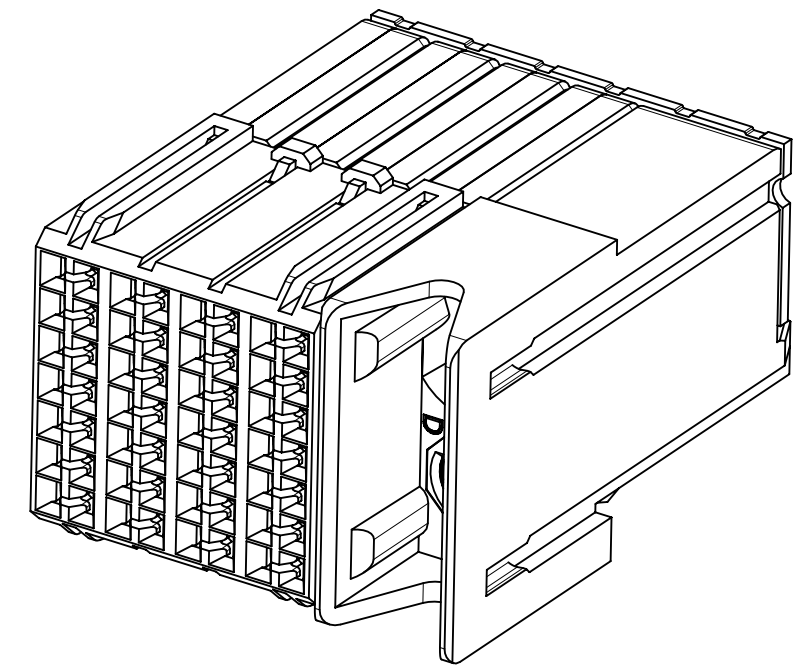
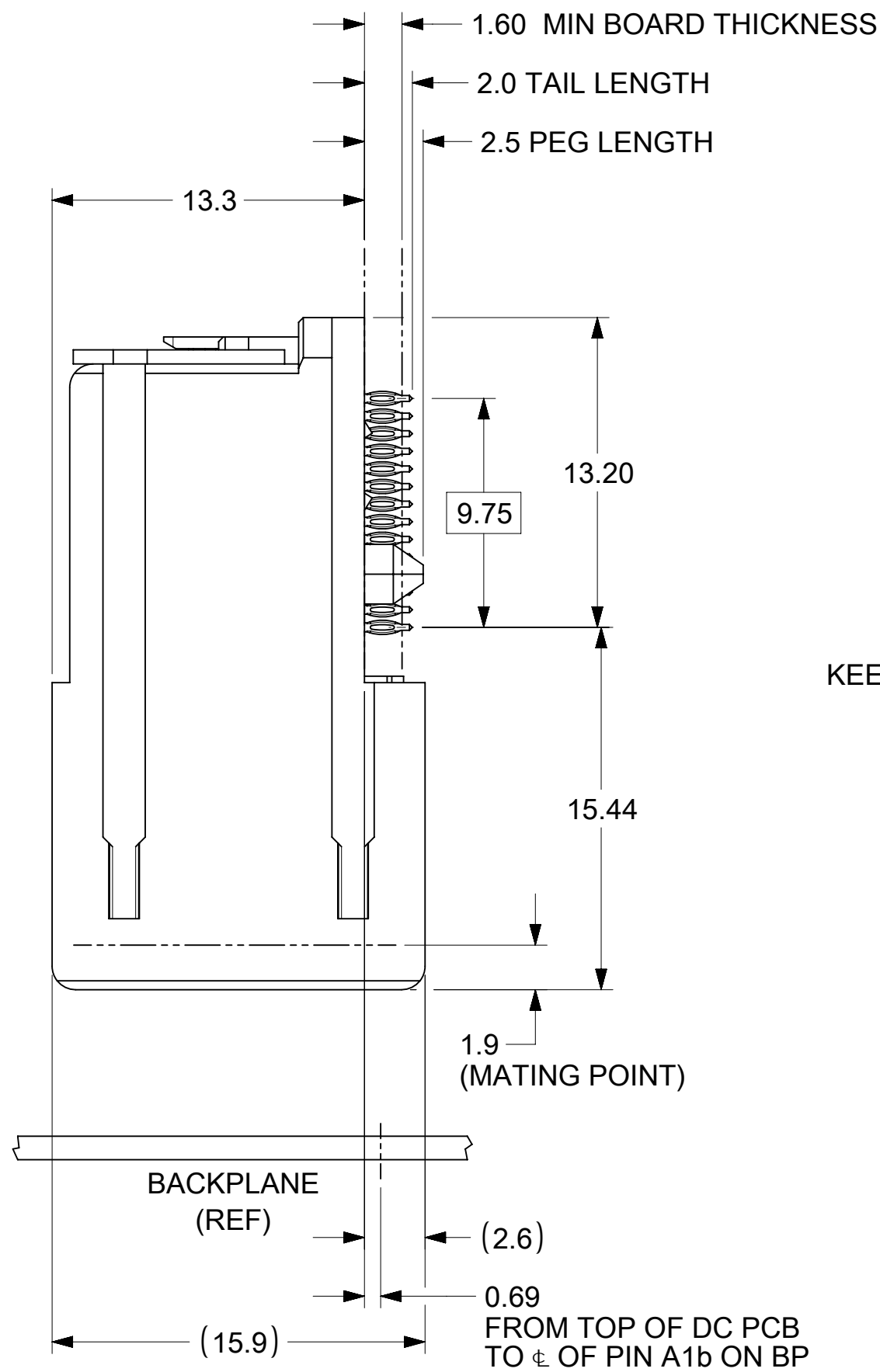


KEY SHOWN IN POSITION "E"



## DAUGHTERCARD HOLE PATTERN (CONNECTOR SIDE)

### NOTES:

1. MATERIALS: HOUSING - LIQUID CRYSTAL POLYMER (LCP)GLASS-FILLED, UL 94V-0  
TERMINALS - HIGH PERFORMANCE COPPER ALLOY
2. FINISH: SELECTIVE GOLD (Au) IN CONTACT AREA,  
SELECTIVE MATTE TIN (Sn) IN TAIL AREA;  
NICKEL (Ni) UNDERPLATE OVERALL.
3. REFER TO MOLEX PRODUCT SPECIFICATION PS-75710-999 FOR PERFORMANCE SPECS.
4. PRODUCT IS PACKAGED PER PK-70873-607.
5. THIS PART CONFORMS TO CLASS B REQUIREMENTS OF COSMETIC SPEC PS-45499-002.
6. GUIDED PARTS TO BE SHIPPED WITH 2-32 TYPE AB  
SELF-TAPPING SCREW P/N 73726-0005.
7. FOR GROUNDED GUIDE MODULES USE DIA 2.45+/-0.10 (PTH), DIA 2.58 (DRILL),  
AND DIA 4.50 (PAD).
8. MAPS (MOLEX ADVANCED PLATING SYSTEM).

THIS DRAWING CONTAINS INFORMATION THAT IS PROPRIETARY TO MOLEX ELECTRONIC TECHNOLOGIES, LLC AND SHOULD NOT BE USED WITHOUT WRITTEN PERMISSION

DIMENSION UNITS	SCALE	CURRENT REV DESC: REMASTERED TO NX					
mm	NTS						
GENERAL TOLERANCES (UNLESS SPECIFIED)				I-TRAC DAUGHTERCARD 7 ROW GUIDE RIGHT SIGNAL MODULE			
ANGULAR TOL ± 0.5°				PRODUCT CUSTOMER DRAWING			
4 PLACES ±		EC NO: 671119		DOCUMENT NUMBER		DOC TYPE   DOC PART   REVISION	
3 PLACES ±		DRWN: YOGEEB 2021/06/17		SD-76020-004		PSD 001 C1	
2 PLACES ± 0.13		CHK'D: VINODM3 2022/01/31		MATERIAL NUMBER   CUSTOMER			
1 PLACE ± 0.25		APPR: CWANG25 2022/02/18		SEE TABLE		GENERAL MARKET	
0 PLACES ±		INITIAL REVISION:		SHEET NUMBER			
DRAFT WHERE APPLICABLE MUST REMAIN WITHIN DIMENSIONS		DRWN: BPISZCZOR 2007/03/19		C-SIZE		76020	
THIRD ANGLE PROJECTION		APPR: JLAURX 2007/03/19		DRAWING		SERIES	
				C-SIZE		76020	

MATERIAL NUMBER	# OF COLUMNS	DIM. "A" MAX.	DIM. "B"
76020-***4	4	22.20	11.10
76020-***6	6	29.60	18.50
76020-***0	10	44.40	33.30

76020-\*\*\*

MODULE STYLE AND TAIL PLATING TYPE  
 4 = GUIDE RIGHT, MATTE TIN (FORMERLY TIN/LEAD)  
 5 = GUIDE RIGHT, MATTE TIN

POLARIZATION KEY ORIENTATION  
 0 = NO KEY  
 1 = A  
 2 = B  
 3 = C  
 4 = D  
 5 = E  
 6 = F  
 7 = G  
 8 = H

# OF COLUMNS/PLATING  
 04 = 4 COL 30 GOLD  
 06 = 6 COL 30 GOLD  
 10 = 10 COL 30 GOLD  
 44 = 4 COL 10 GOLD (MAPS)  
 46 = 6 COL 10 GOLD (MAPS)  
 40 = 10 COL 10 GOLD (MAPS)  
 54 = 4 COL W/ESD CLIP 30 GOLD  
 56 = 6 COL W/ESD CLIP 30 GOLD  
 50 = 10 COL W/ESD CLIP 30 GOLD  
 74 = 4 COL W/ESD CLIP 10 GOLD (MAPS)  
 76 = 6 COL W/ESD CLIP 10 GOLD (MAPS)  
 70 = 10 COL W/ESD CLIP 10 GOLD (MAPS)

THIS DRAWING CONTAINS INFORMATION THAT IS PROPRIETARY TO MOLEX ELECTRONIC TECHNOLOGIES, LLC AND SHOULD NOT BE USED WITHOUT WRITTEN PERMISSION									
DIMENSION UNITS		SCALE		CURRENT REV DESC: REMASTERED TO NX				<b>molex</b>	
mm		NTS							
GENERAL TOLERANCES (UNLESS SPECIFIED)				EC NO: 671119 DRWN: YOGEEB 2021/06/17 CHK'D: VINODM3 2022/01/31 APPR: CWANG25 2022/02/18				I-TRAC DAUGHTERCARD 7 ROW GUIDE RIGHT SIGNAL MODULE	
ANGULAR TOL ± 0.5°								PRODUCT CUSTOMER DRAWING	
4 PLACES ±				INITIAL REVISION: DRWN: BPISZCZOR 2007/03/19 APPR: JLAURX 2007/03/19				DOCUMENT NUMBER	
3 PLACES ±								SD-76020-004	
2 PLACES ± 0.13				THIRD ANGLE PROJECTION				DOC PART	
1 PLACE ± 0.25								PSD	
0 PLACES ±				DRAFT WHERE APPLICABLE MUST REMAIN WITHIN DIMENSIONS				REVISION	
								C1	
DRAFT WHERE APPLICABLE MUST REMAIN WITHIN DIMENSIONS		THIRD ANGLE PROJECTION		DRAWING		SERIES		MATERIAL NUMBER	
				C-SIZE		76020		SEE TABLE	
						CUSTOMER		SHEET NUMBER	
						GENERAL MARKET		2 OF 2	