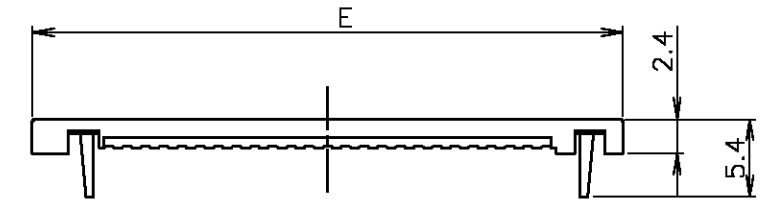
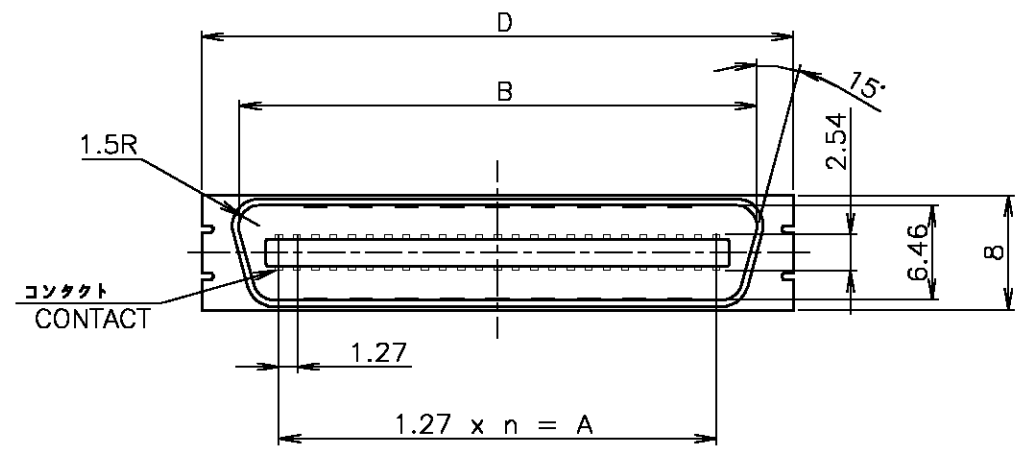
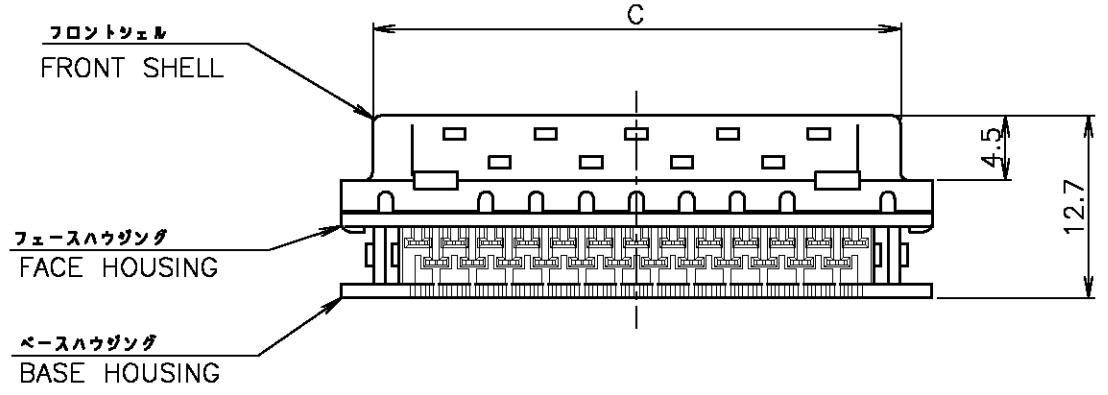
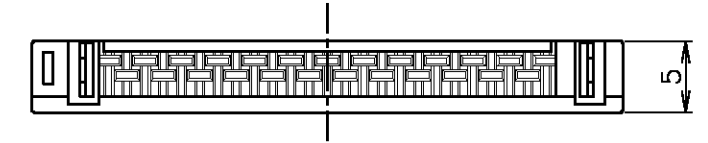


THIS DRAWING IS UNPUBLISHED. RELEASED FOR PUBLICATION
 © COPYRIGHT BY TYCO ELECTRONICS CORPORATION. ALL RIGHTS RESERVED.

LOC	DIST	REVISIONS					
J		P	LTR	DESCRIPTION	DATE	DWN	APVD
		L		REVISED (FJBO-0286-03)	12MAY03	T.K	Y.Y



カバーハウジング
COVER HOUSING
(2EA/KIT)



49.53	54.69	55.7	60.3	60.2	0.76 μ	39	80	3-175677-0
62.23	67.45	68.4	73.0	72.9	0.76 μ	49	100	2-175677-9
41.91	47.13	48.0	52.7	52.6	0.76 μ	33	68	2-175677-8
30.48	35.70	36.6	41.3	41.2	0.76 μ	24	50	2-175677-7
21.59	26.81	27.7	32.4	32.3	0.76 μ	17	36	2-175677-5
15.24	20.46	21.4	26.0	25.9	0.76 μ	12	26	2-175677-4
11.43	16.65	17.6	22.2	22.1	0.76 μ	9	20	2-175677-2
7.62	12.84	13.7	18.4	18.3	0.76 μ	6	14	2-175677-1
49.53	54.69	55.7	60.3	60.2	0.3 μ	39	80	1-175677-0
62.23	67.45	68.4	73.0	72.9	0.3 μ	49	100	175677-9
41.91	47.13	48.0	52.7	52.6	0.3 μ	33	68	175677-8
30.48	35.70	36.6	41.3	41.2	0.3 μ	24	50	175677-7
21.59	26.81	27.7	32.4	32.3	0.3 μ	17	36	175677-5
15.24	20.46	21.4	26.0	25.9	0.3 μ	12	26	175677-4
11.43	16.65	17.6	22.2	22.1	0.3 μ	9	20	175677-2
7.62	12.84	13.7	18.4	18.3	0.3 μ	6	14	175677-1
A	B	C	D	E	Au.PLATING	n	POS	PART No.

- 注記
- 材料及び表面仕上げ。
 *CONTACT: リン青銅, Ni 下地メッキに接触部
 Au メッキ0.3 μm, 0.76 μm 以上, 圧着部すずめっき
 *フロントシェル: 鋼, Niメッキ
 *ハウジング(ベース, フェース, カバー)
 熱可塑性樹脂 ガラス入り, UL 94V-0, 色; 黒
 ガラス入り, UL 94V-0, 色; 黒。
 - 使用電線は タイコエレクトロニクスアンプ(株) 技術部門へ御確認をお願いします。
- NOTE
- MATERIAL & FINISH
 *CONTACT; COPPER ALLOY Au PL.0.3 AND 0.76 MIN. AT CONTACT AREA AND TIN PL. AT I.D. AREA OVER Ni PL.
 *FRONT SHELL; STEEL, Ni PL.
 *HOUSING(BASE,FACE,COVER);
 THERMO-PLASTIC,GF,UL 94V-0. BLACK
 - APPLICABLE WIRE; PLEASE CONFIRM TO TYCO ENGINEERING.

TOLERANCES UNLESS OTHERWISE SPECIFIED
—公差

10 ≧	±0.2
30 ≧	> 10 ±0.25
100 ≧	> 30 ±0.3
ANGLES ±3°	

WIRE RANGE	INSULATION DIA
7/0.127mm(AWG#28)	0.5~0.7 mmφ

THIS DRAWING IS A CONTROLLED DOCUMENT.

DIMENSIONS: MM	TOLERANCES UNLESS OTHERWISE SPECIFIED:
	0 PLC ± 1 PLC ± 2 PLC ± 3 PLC ± 4 PLC ± ANGLES ±
MATERIAL SEE NOTES	FINISH SEE NOTES

THIS DRAWING IS A CONTROLLED DOCUMENT.

DWN S.ISHIKAWA 29JUN89	 Tyco Electronics AMP K.K. Kawasaki, Japan
CHK Y.FUJIURA 07SEP89	
APVD R.NISHIMURA 11SEP89	
NAME PRODUCT SPEC	
APPLICATION SPEC	CHAMP .050 PLUG CONN. KIT
WEIGHT	SIZE A3
CUSTOMER DRAWING	CAGE CODE 00779
	DRAWING NO. 175677
	RESTRICTED TO
	SCALE 2:1
	SHEET 1 OF 1
	REV L