

SERIES JS 1200 SWITCHES

NAVIGATION SWITCHES - MULTI-DIRECTIONAL

TACT SWITCHES

NAVIGATION SWITCHES

PUSHBUTTON SWITCHES

TOGGLE SWITCHES

ROCKER SWITCHES

SLIDE SWITCHES

SNAP-ACTION SWITCHES

DIP SWITCHES

KEYLOCK SWITCHES

ROTARY SWITCHES

DETECTOR SWITCHES

CAP OPTIONS



SPECIFICATIONS

| | |
|------------------------|--|
| Contact Rating: | 20mA @ 12 VDC |
| Life Expectancy: | 200,000 actuations in any direction (X, Y, or Z) |
| Contact Resistance: | 500mΩ |
| Insulation Resistance: | 100MΩ |
| Dielectric Strength: | 100 VAC |
| Operating Temperature: | -25°C to 70°C |
| Travel: | Push: 0.15 ± 0.01mm Tilt: .20 ± 0.01, (3.5+5/-1°) |

MATERIALS

| | |
|------------|----------------------|
| Actuator: | Plastic |
| Base: | Nylon |
| Cover: | Metal |
| Terminals: | Copper alloy, plated |

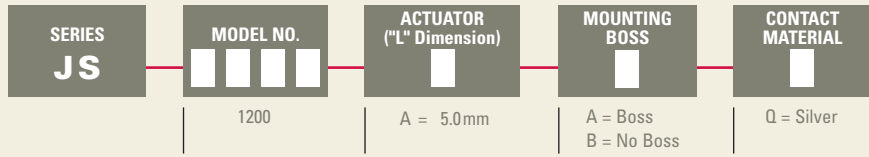
FEATURES & BENEFITS

- ▶ 5-position joystick switch
- ▶ Available with or without mounting bosses
- ▶ Designed for SMT applications that require navigation

APPLICATIONS/MARKETS

- ▶ Consumer electronics where user interface is needed
- ▶ Handheld instrumentation
- ▶ Navigation
- ▶ Telecommunication

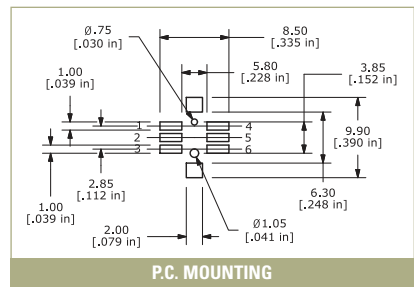
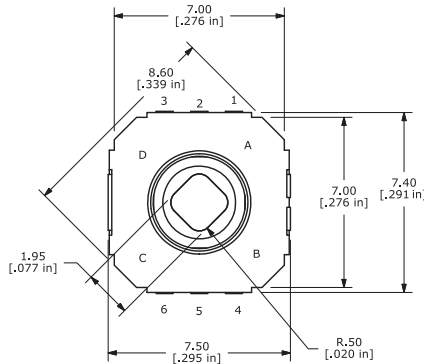
HOW TO ORDER



▶ ▶ ▶ Example Ordering Number
JS-1200-A-A-Q

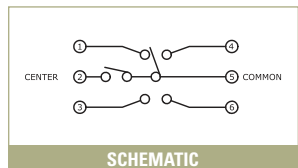
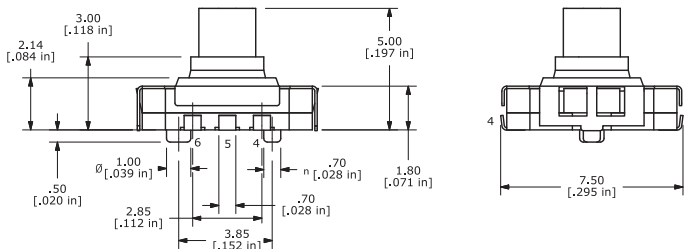
Specifications subject to change without notice.

JS 1200



P.C. MOUNTING

| Operating Position | Circuit |
|--------------------|---------|
| A | 5 = 1 |
| B | 5 = 4 |
| C | 5 = 6 |
| D | 5 = 3 |
| Center Push | 5 = 2 |



SCHEMATIC