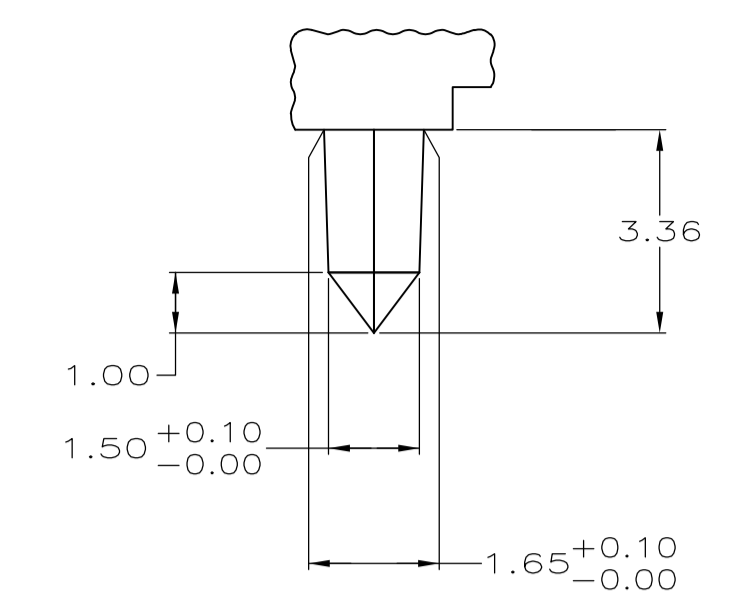
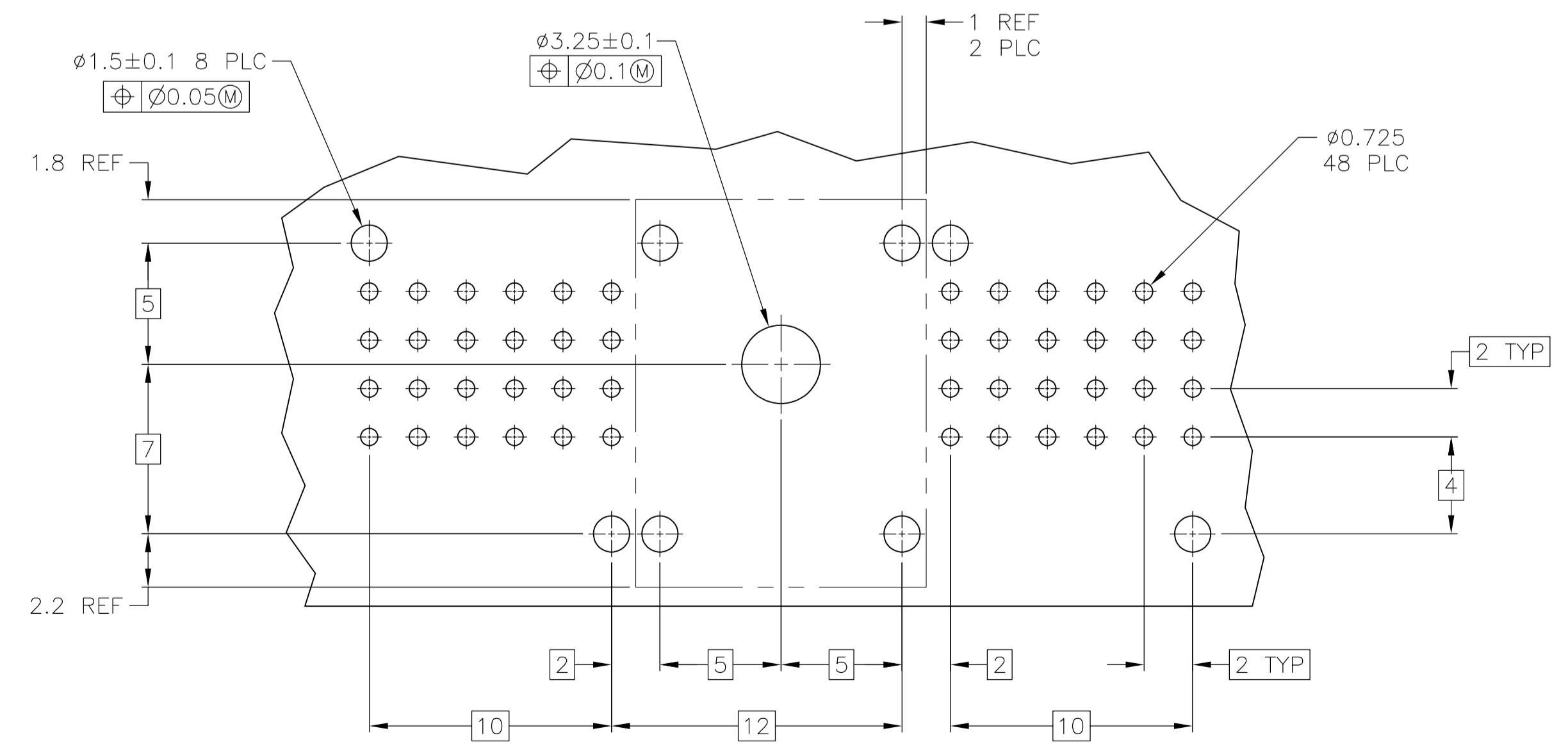
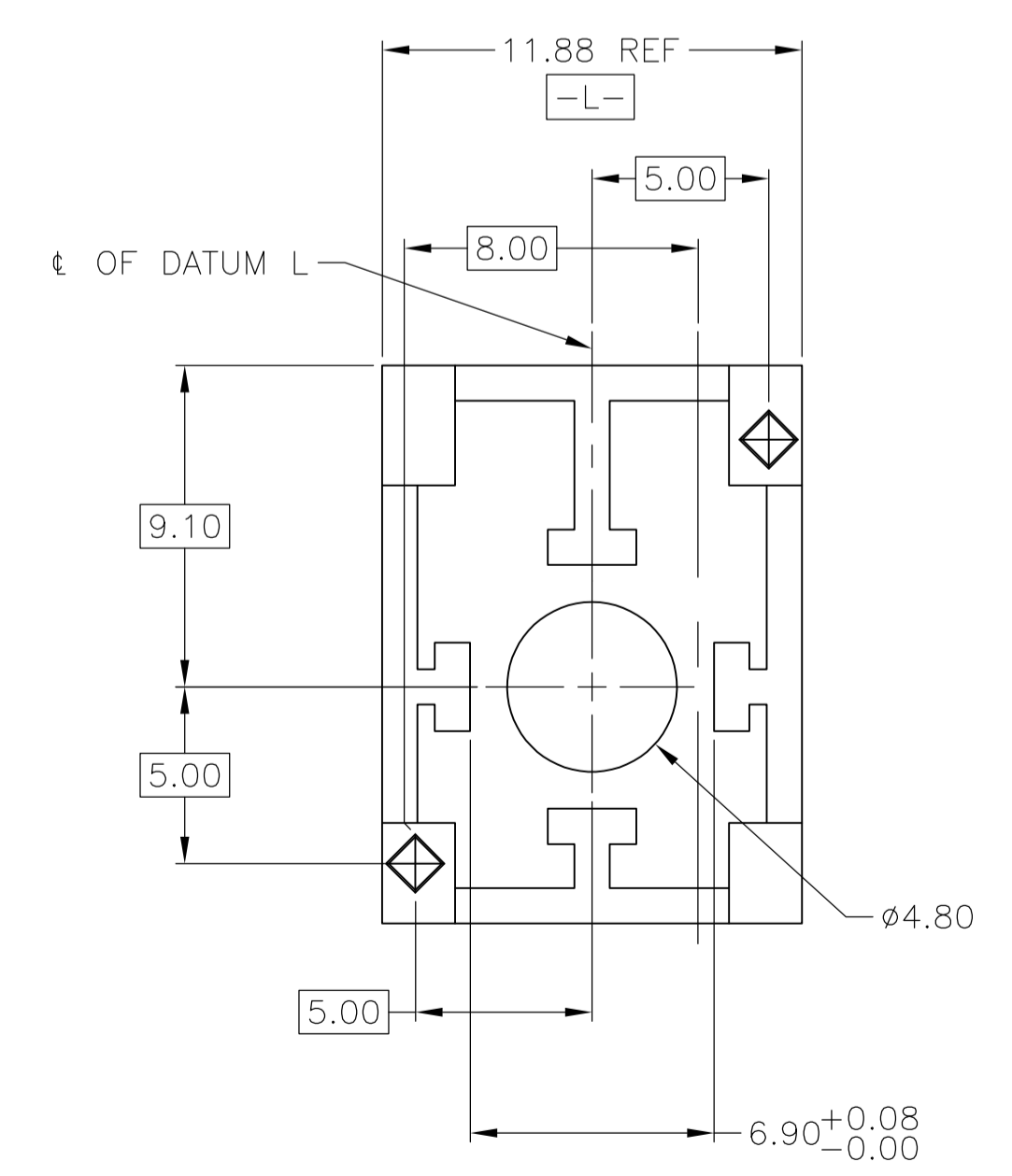
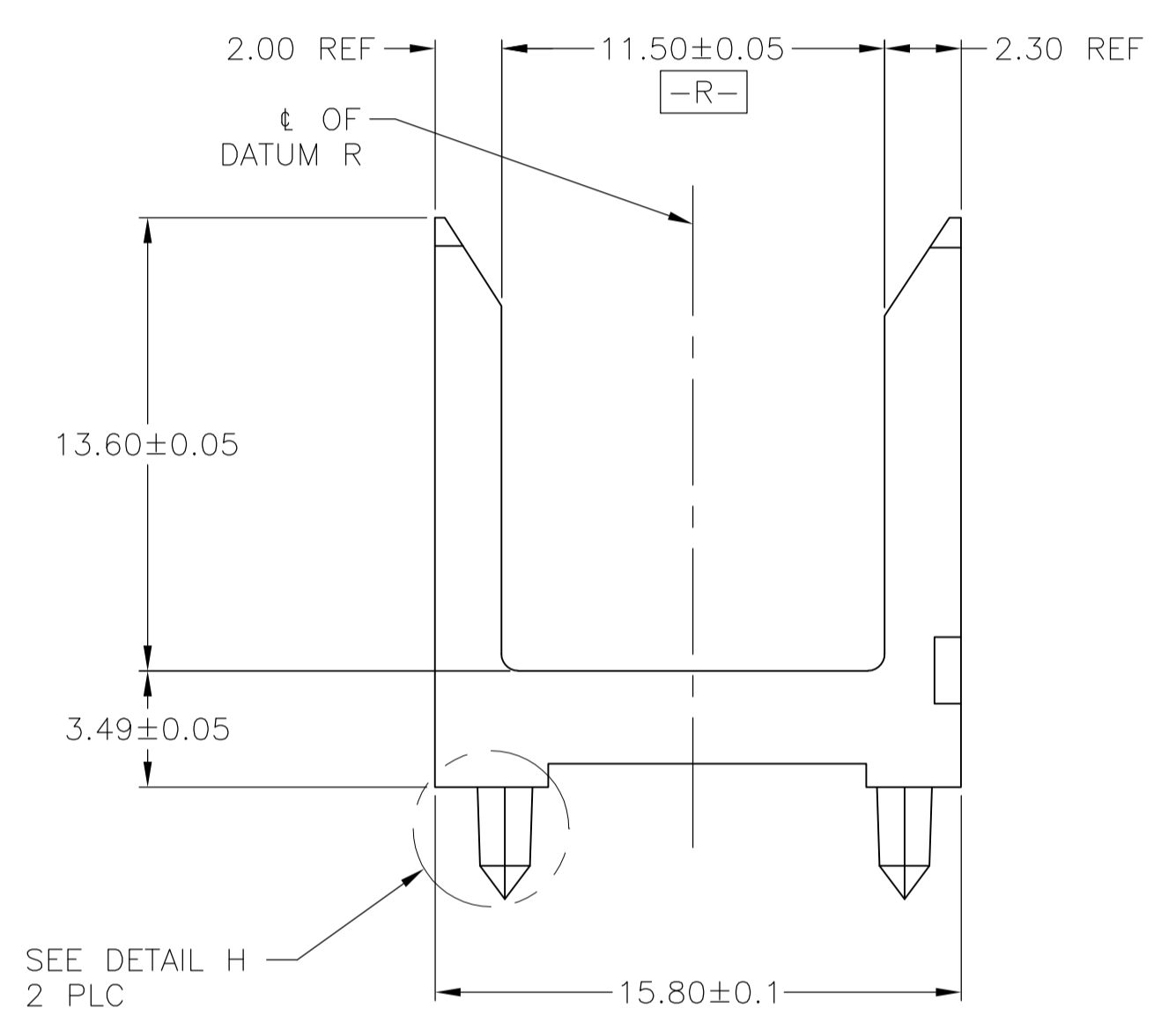
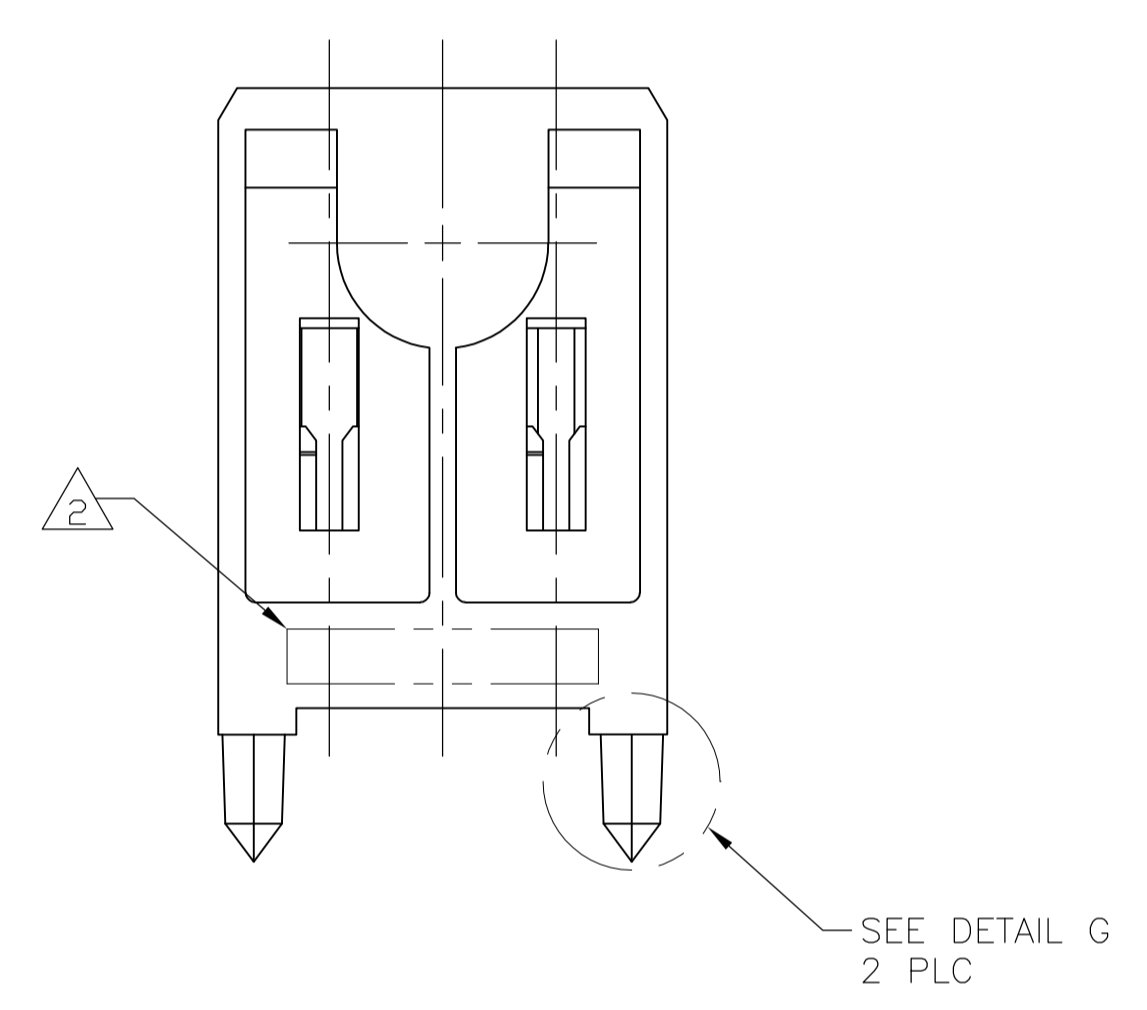


DETAIL G
SCALE 10:1



DETAIL H
SCALE 10:1

1 MATERIAL: LIQUID CRYSTAL POLYMER, UL 94-VO RATED, NATURAL.
 2 PART MARKING PER AMP SPEC 115-9009, LOCATED APPROXIMATELY AS SHOWN.



RECOMMENDED PCB LAYOUT

223754-1
PART NUMBER

THIS DRAWING IS A CONTROLLED DOCUMENT.		DIN J. POLIGNONE 18FEB05	Tyco Electronics Corporation Harrisburg, PA, 17105-3608
DIMENSIONS: MM		CHK N. NORRIS 16DEC02	
TOLERANCES UNLESS OTHERWISE SPECIFIED:		APP'D N. NORRIS 16DEC02	NAME
0 PLC ± -			HOUSING, GUIDE PIN
1 PLC ± -			VERTICAL, Z-PACK 2mm FB,
2 PLC ± 0.13			4 ROW, WITH LOCATING PEG
3 PLC ± -			APPLICATION SPEC
4 PLC ± -			SIZE CAGE CODE DRAWING NO
ANGLES ± 1°			RESTRICTED TO
MATERIAL 1	FINISH -	WEIGHT -	A1 00779 C=223754
CUSTOMER DRAWING		SCALE 5:1	SHEET 1 OF 1 REV 01