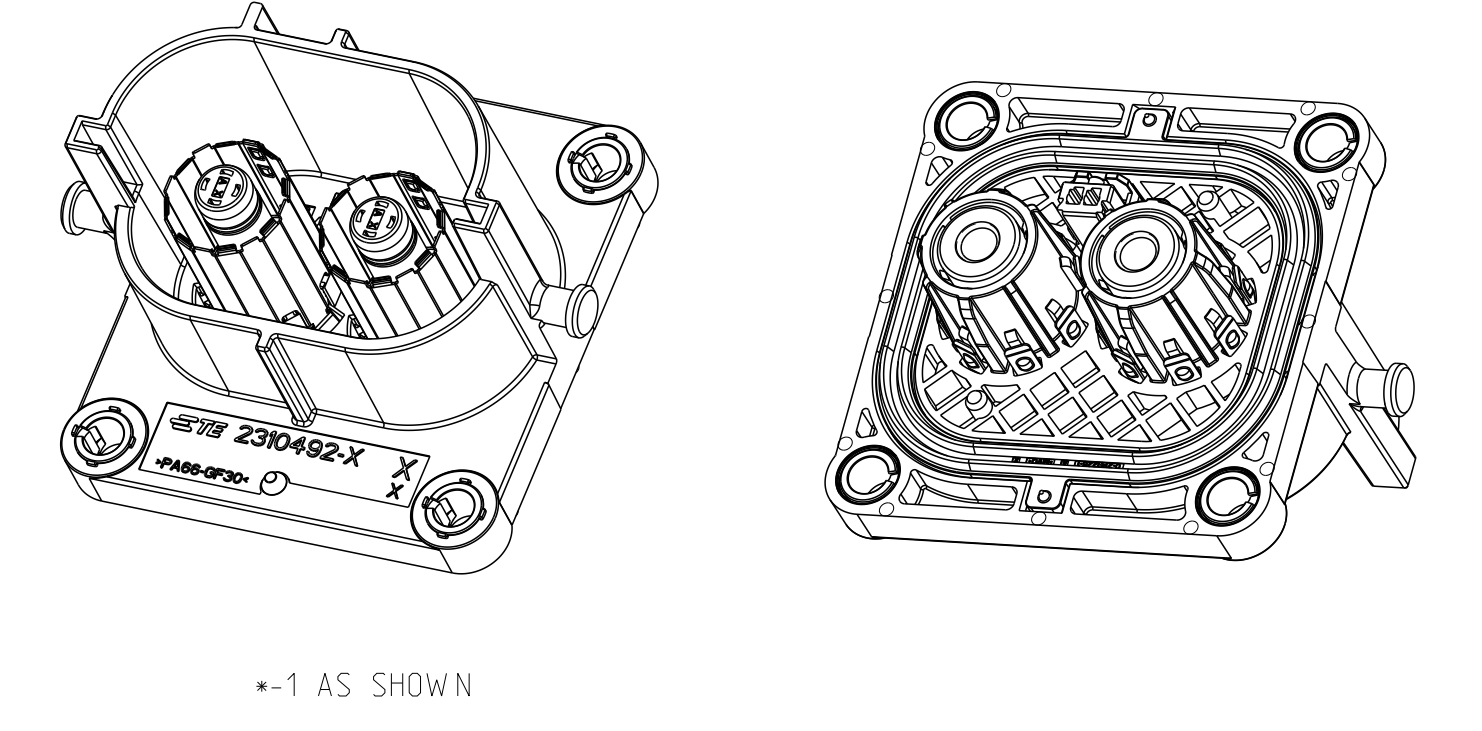
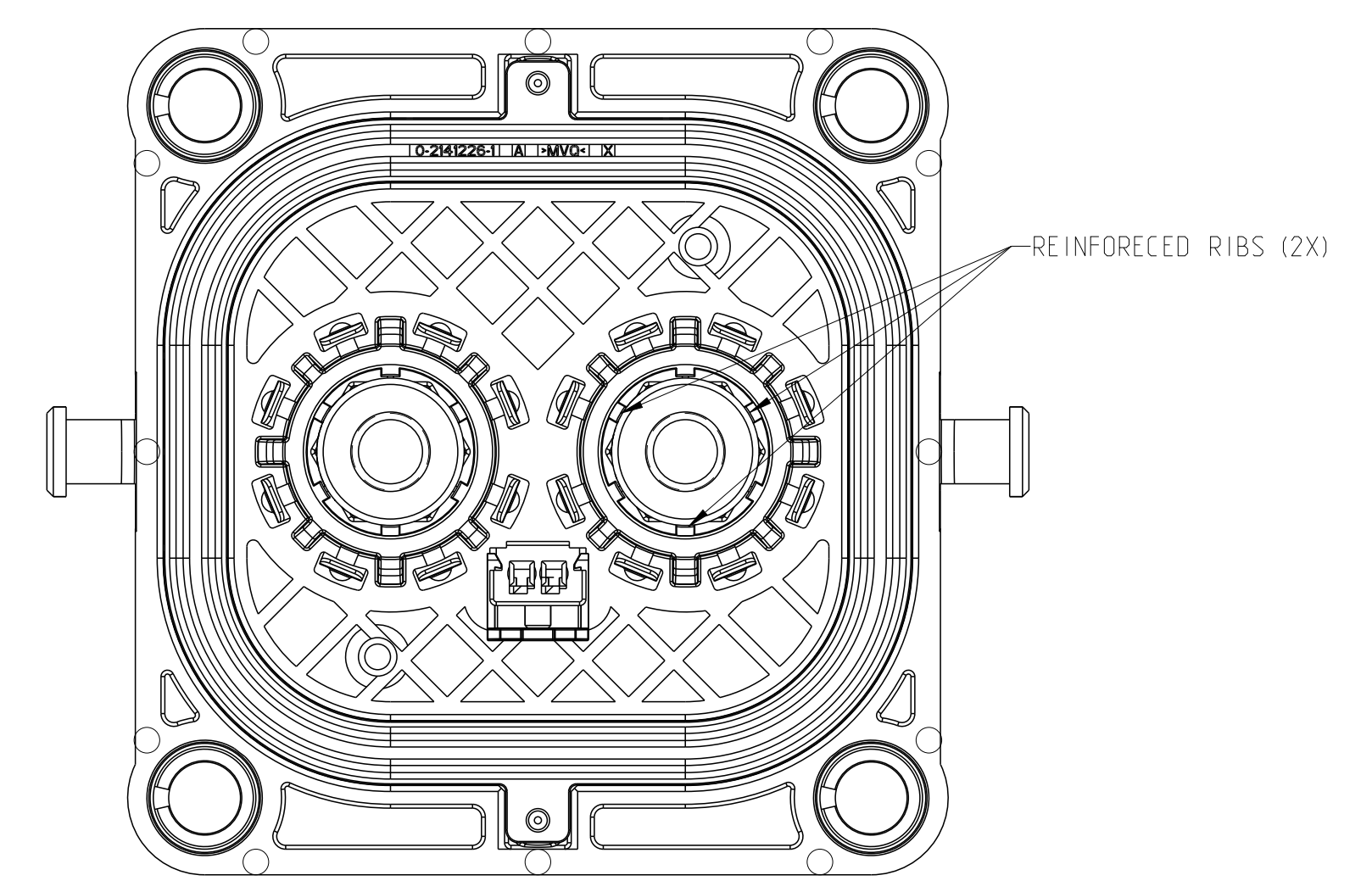
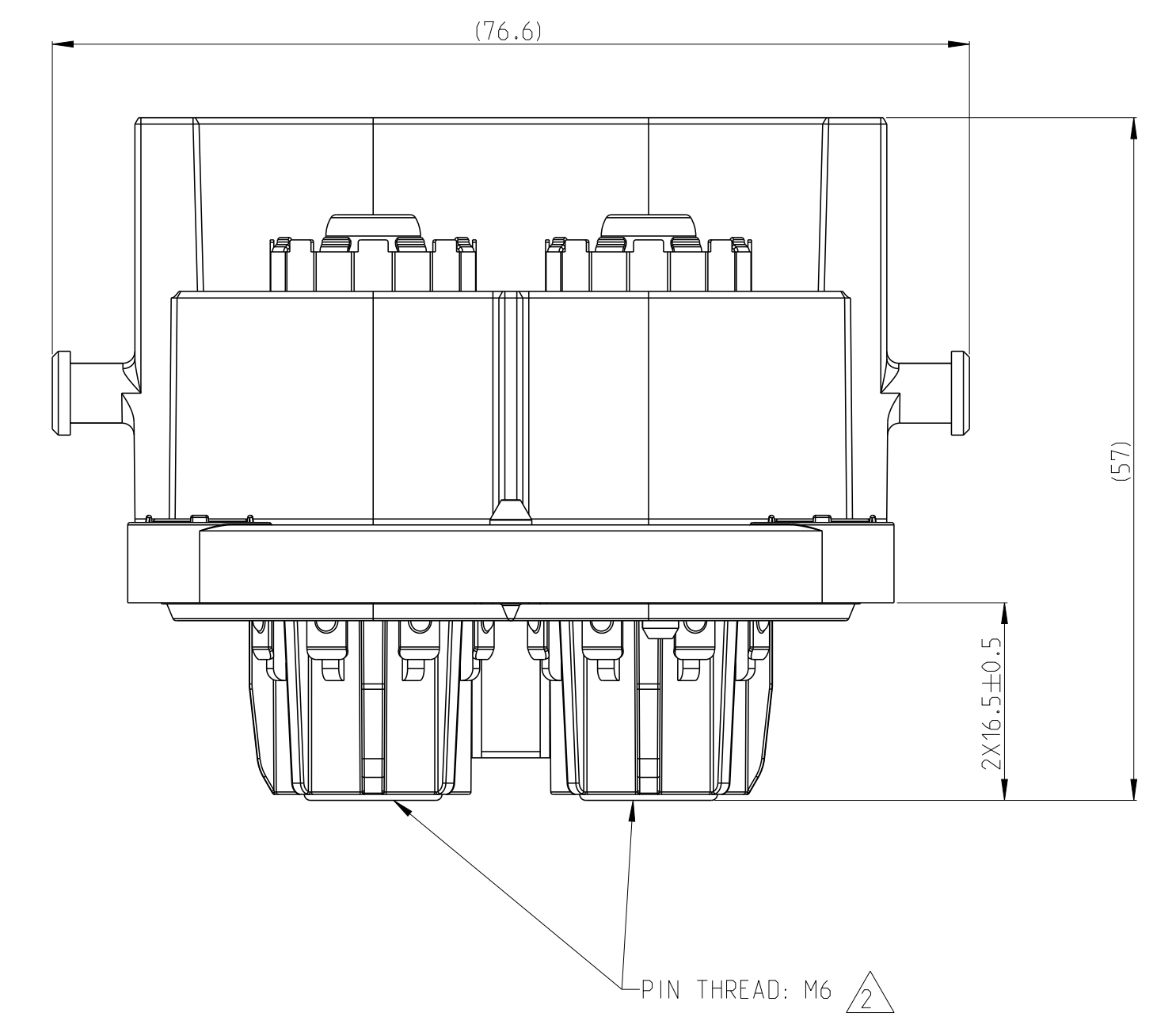
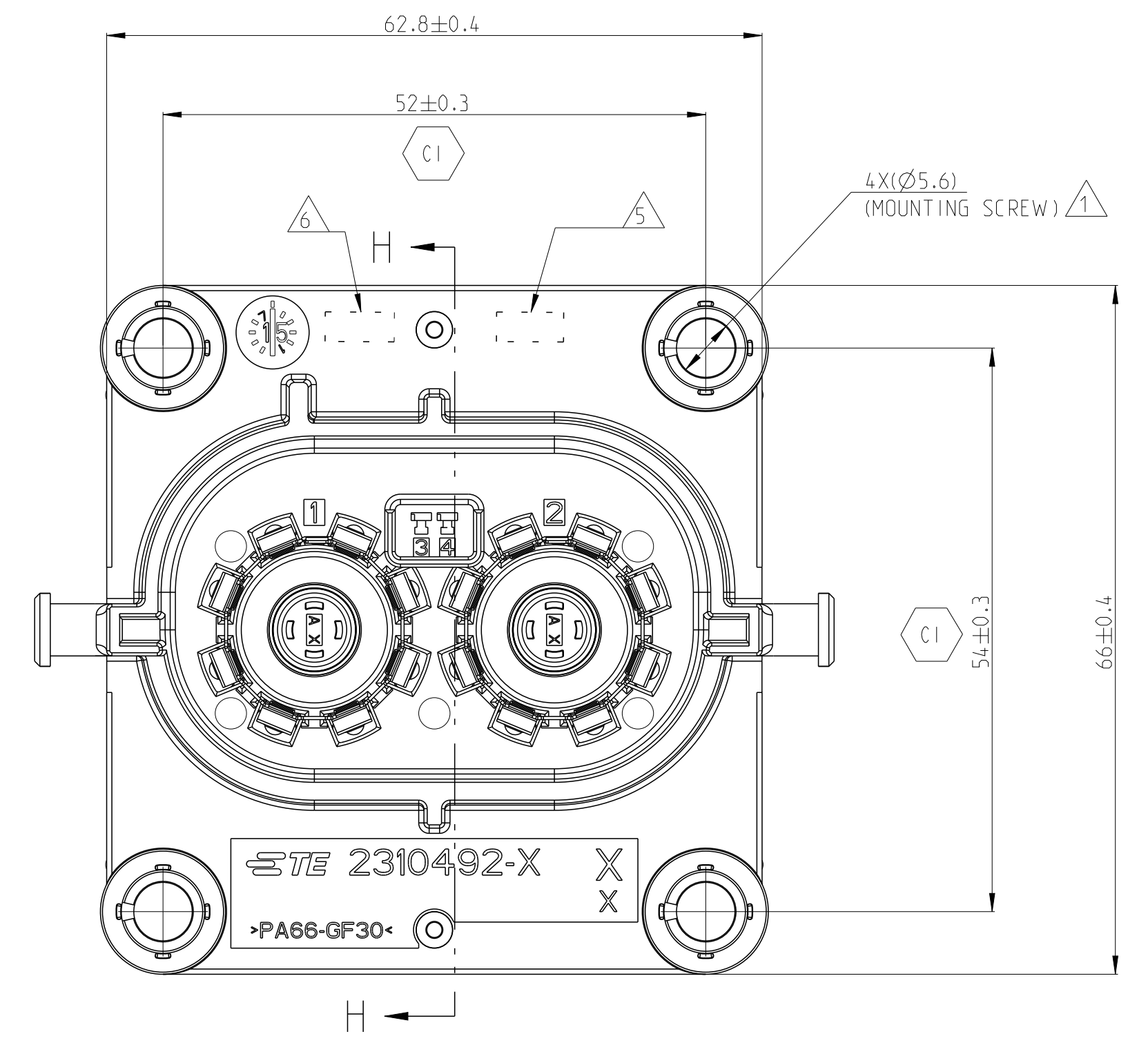
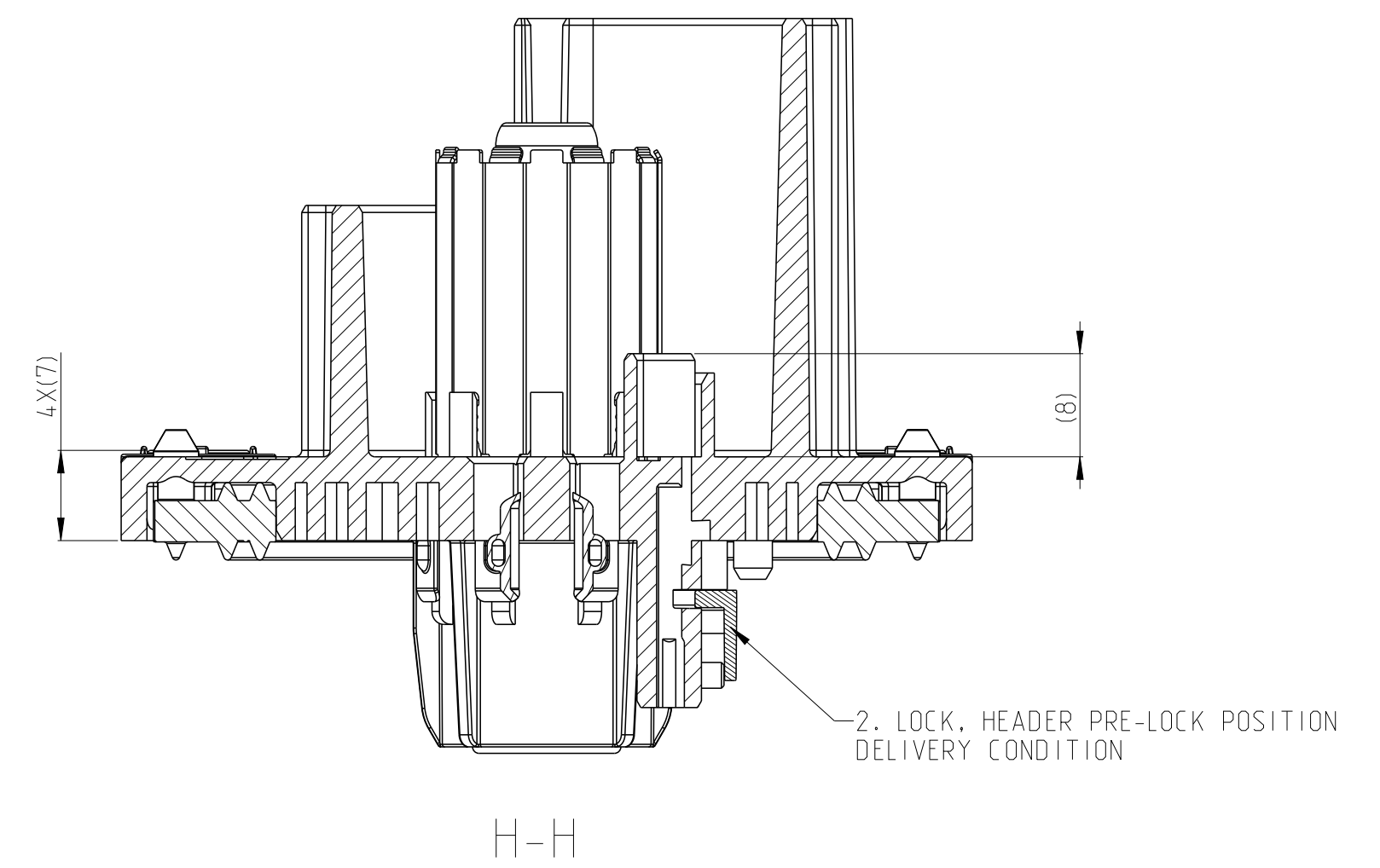
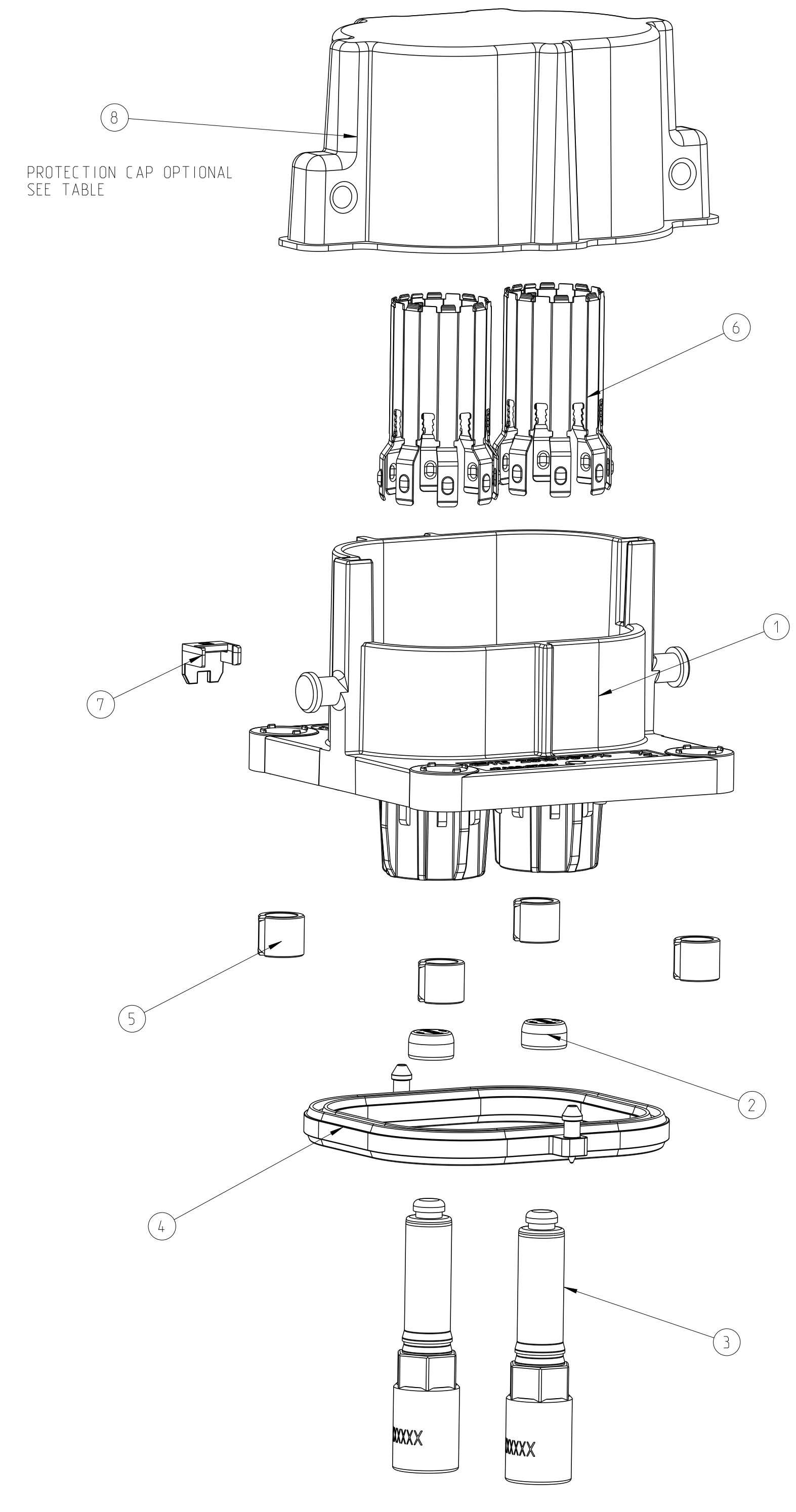


REVISIONS			
REV	DATE	BY	APPD
B	01AUG18	JL	EJ
C	07NOV2018	SK	EJ
C1	09APR2019	SK	EJ



▲ MOUNTING SCREW MS WITH MINIMUM SCREW HEAD Ø10MM. MAXIMUM SCREW HEAD Ø12MM. RECOMMENDED TIGHTENING TORQUE OF THE SCREW 6±0.5NM. THREAD ENGAGEMENT ACCORDING TO TE-DRAWING NO. 114-94032

▲ RECOMMENDED TIGHTENING TORQUE OF THE SCREW M6:8±NM. A SCREW RETENTION WILL BE RECOMMENDED

▲ SUITABLE HVIL-CONTACTS: TE P/N: 1418760-3

4 FIRE RETARTANT CLASS FOR PLASTIC PART MATERIAL REFER TO TABLE AS BELOW:

P/N	FIRE RETARTANT CLASS OF PLASTIC MATERIAL (NOT INCLUDE DUST CAP)	P/N	FIRE RETARTANT CLASS OF PLASTIC MATERIAL (NOT INCLUDE DUST CAP)
2322122-1	HB	3-2322122-1	VO
2322122-2			
2322122-3			
2322122-4			
2322122-5			
2322122-6			
2322122-7			
2322122-8			
1-2322122-1			
1-2322122-2			
1-2322122-3			
1-2322122-4			
1-2322122-5			
1-2322122-6			
1-2322122-7			
1-2322122-8			
2-2322122-1	5-2322122-1		
2-2322122-2		5-2322122-2	
2-2322122-3		5-2322122-3	
2-2322122-4		5-2322122-4	
2-2322122-5		5-2322122-5	
2-2322122-6		5-2322122-6	
2-2322122-7		5-2322122-7	
2-2322122-8		5-2322122-8	

▲ ASSY. P/N MARKING

▲ PRODUCTION CODE

7 OPERATION TEMPERATURE: -40-125°C

ITEM	FEATURE	TE-PART-NO 90 DEG	TE-PART-NO 180 DEG
8	MATING CONNECTOR: 2POS.BMM HV.REC HSG. ASSY. SEALED	2310922 2141154	2310923 2177053
9	INTERFACE DRAWING FOR MATING SIDE	114-94034	
10	INTERFACE DRAWING FOR MOUNTING SIDE	114-94032	
11	PRODUCT-T-SPEC	108-32233	108-32234
12	APPLICATION-SPEC	114-32213	

QTY PER ASSY PARTS	DESCRIPTION	MATERIAL	SURFACE COLOUR	WEIGHT [g]	ITEM
1	2. LOCK, IL. HEADER	PA6-(GF/GB) HB	GRAY SIM RAL 7037		7
1	2. LOCK, IL. HEADER	PA6-(GF) VO	RED SIM RAL 3000		7
2	SHIELDING SLEEVE	Cu-ALLOY	TIN PLATED		6
4	COMPRESSION DELIMITER, HV HEADER	CARBON STEEL	ZnNi - PLATING		5
1	RADIAL SEAL 56.4 X 50	SILICONE RUBBER HB	NATURE		4
1	RADIAL SEAL 56.4 X 50	SILICONE RUBBER VO	DARK GREY		4
2	PIN DIA 8.0. CONTACT	Cu-ALLOY	SILVER PLATED		3
1	PROTECTION COVER 8MM HV	PA6-(GF/GB) HB	NATURE		2
1	PROTECTION COVER 8MM HV	PA6-(GF/GB) HB	BLACK SIM RAL 9005		2
2	PROTECTION COVER 8MM HV	PA66 VO	WHITE SIM RAL 9010		2
2	PROTECTION COVER 8MM HV	PA66 VO	BLACK SIM RAL 9005		2
1	2POS.PIN DIA 8.0.PIN HSG.90,SEALED	PA66-GF HB			1
1	2POS.PIN DIA 8.0.PIN HSG.90,SEALED	PA66-GF HB			1
1	2POS.PIN DIA 8.0.PIN HSG.90,SEALED	PA66-GF HB			1
1	2POS.PIN DIA 8.0.PIN HSG.90,SEALED	PA66-GF VO	ORANGE SIM RAL 2003		1
1	2POS.PIN DIA 8.0.PIN HSG.90,SEALED	PA66-GF VO			1
1	2POS.PIN DIA 8.0.PIN HSG.90,SEALED	PA66-GF VO			1
1	2POS.PIN DIA 8.0.PIN HSG.90,SEALED	PA66-GF VO			1
1	2POS.PIN DIA 8.0.PIN HSG.90,SEALED	PA66-GF VO			1

TE-ASSY-NO.	COD.	DESCRIPTION	TE-ASSY-NO.	TE-PART-NO.	DESCRIPTION	MATERIAL	SURFACE COLOUR	WEIGHT [g]	QTY	ITEM
3-2322122-8	D	2POS.PIN DIA 8.0.PIN HSG.90,ASSY PROTECTION CAP	9-2208100-1	2POS. PROTECTION CAP	PS	BLACK SIM RAL 9005	(3.3)	1	8	
3-2322122-7	C	2POS.PIN DIA 8.0.PIN HSG.90,ASSY PROTECTION CAP	9-2208100-1	2POS. PROTECTION CAP	PS	BLACK SIM RAL 9005	(3.3)	1	8	
3-2322122-6	B	2POS.PIN DIA 8.0.PIN HSG.90,ASSY PROTECTION CAP	9-2208100-1	2POS. PROTECTION CAP	PS	BLACK SIM RAL 9005	(3.3)	1	8	
3-2322122-5	A	2POS.PIN DIA 8.0.PIN HSG.90,ASSY PROTECTION CAP	9-2208100-1	2POS. PROTECTION CAP	PS	BLACK SIM RAL 9005	(3.3)	1	8	
2322122-8	D	2POS.PIN DIA 8.0.PIN HSG.90,ASSY PROTECTION CAP	9-2208100-1	2POS. PROTECTION CAP	PS	BLACK SIM RAL 9005	(3.3)	1	8	
2322122-7	C	2POS.PIN DIA 8.0.PIN HSG.90,ASSY PROTECTION CAP	9-2208100-1	2POS. PROTECTION CAP	PS	BLACK SIM RAL 9005	(3.3)	1	8	
2322122-6	B	2POS.PIN DIA 8.0.PIN HSG.90,ASSY PROTECTION CAP	9-2208100-1	2POS. PROTECTION CAP	PS	BLACK SIM RAL 9005	(3.3)	1	8	
2322122-5	A	2POS.PIN DIA 8.0.PIN HSG.90,ASSY PROTECTION CAP	9-2208100-1	2POS. PROTECTION CAP	PS	BLACK SIM RAL 9005	(3.3)	1	8	

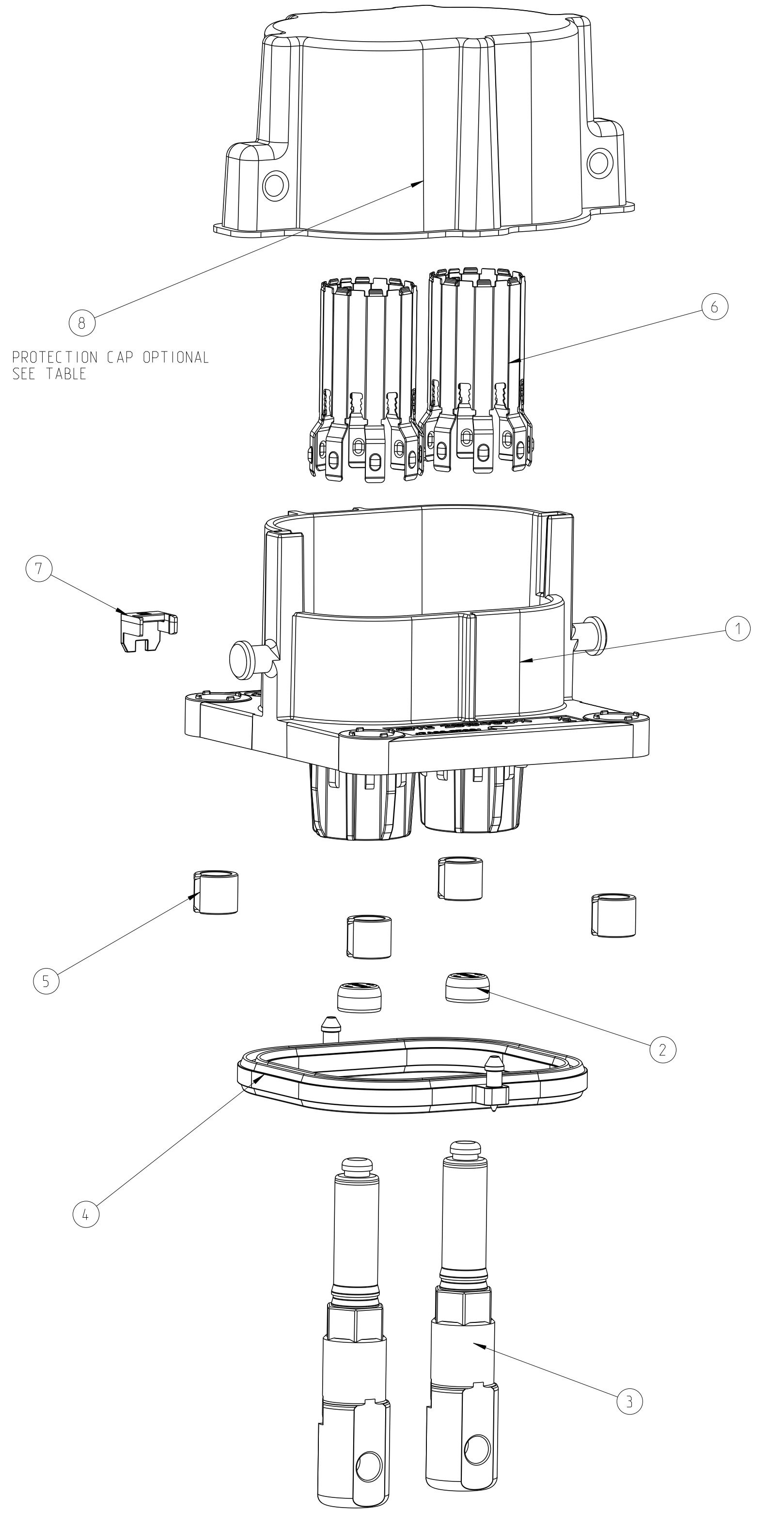
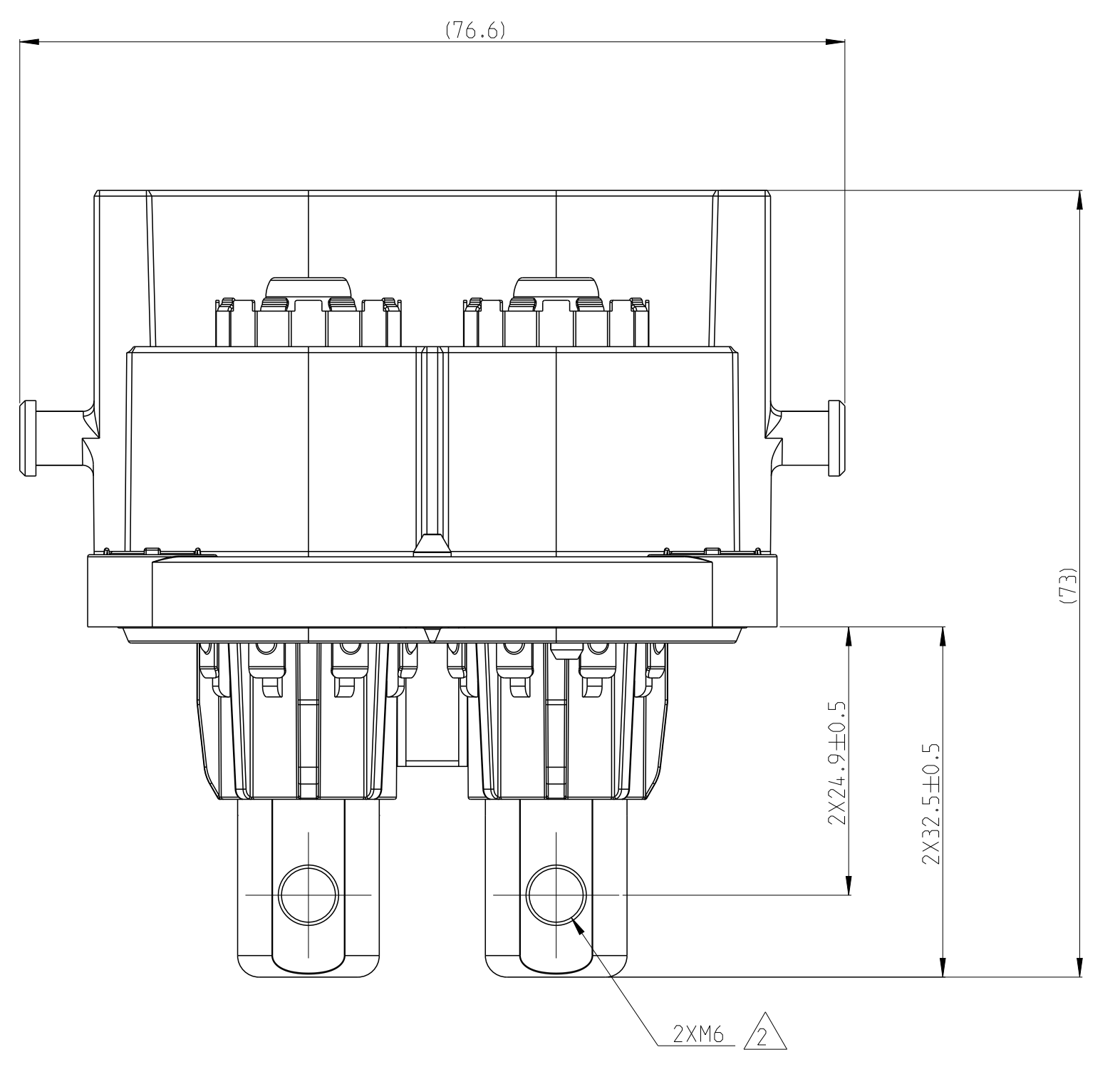
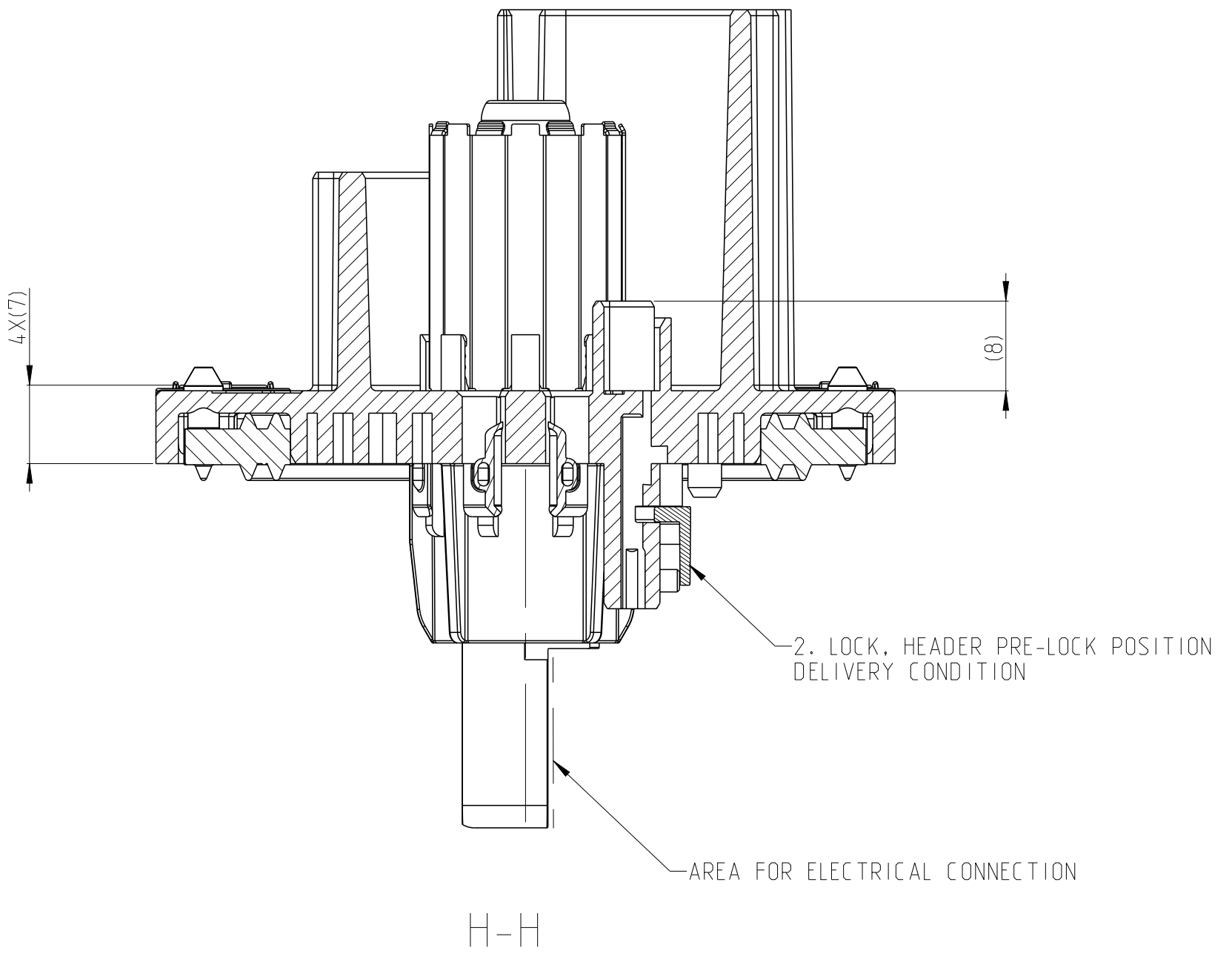
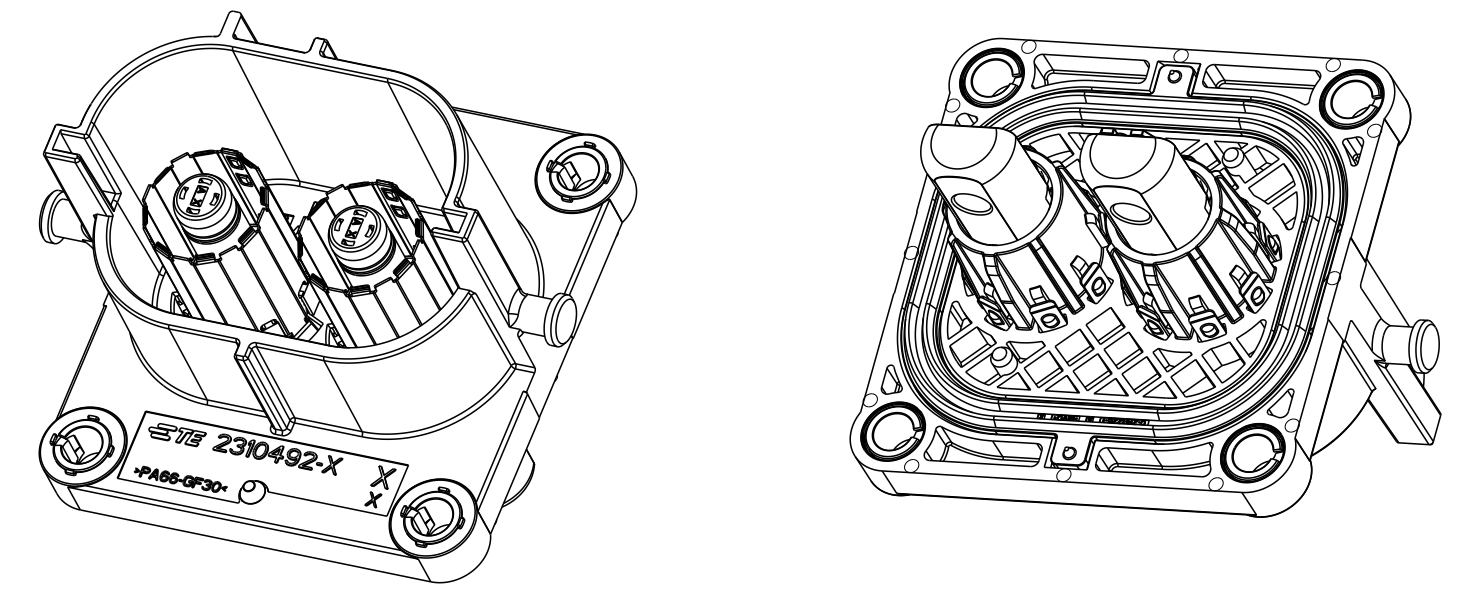
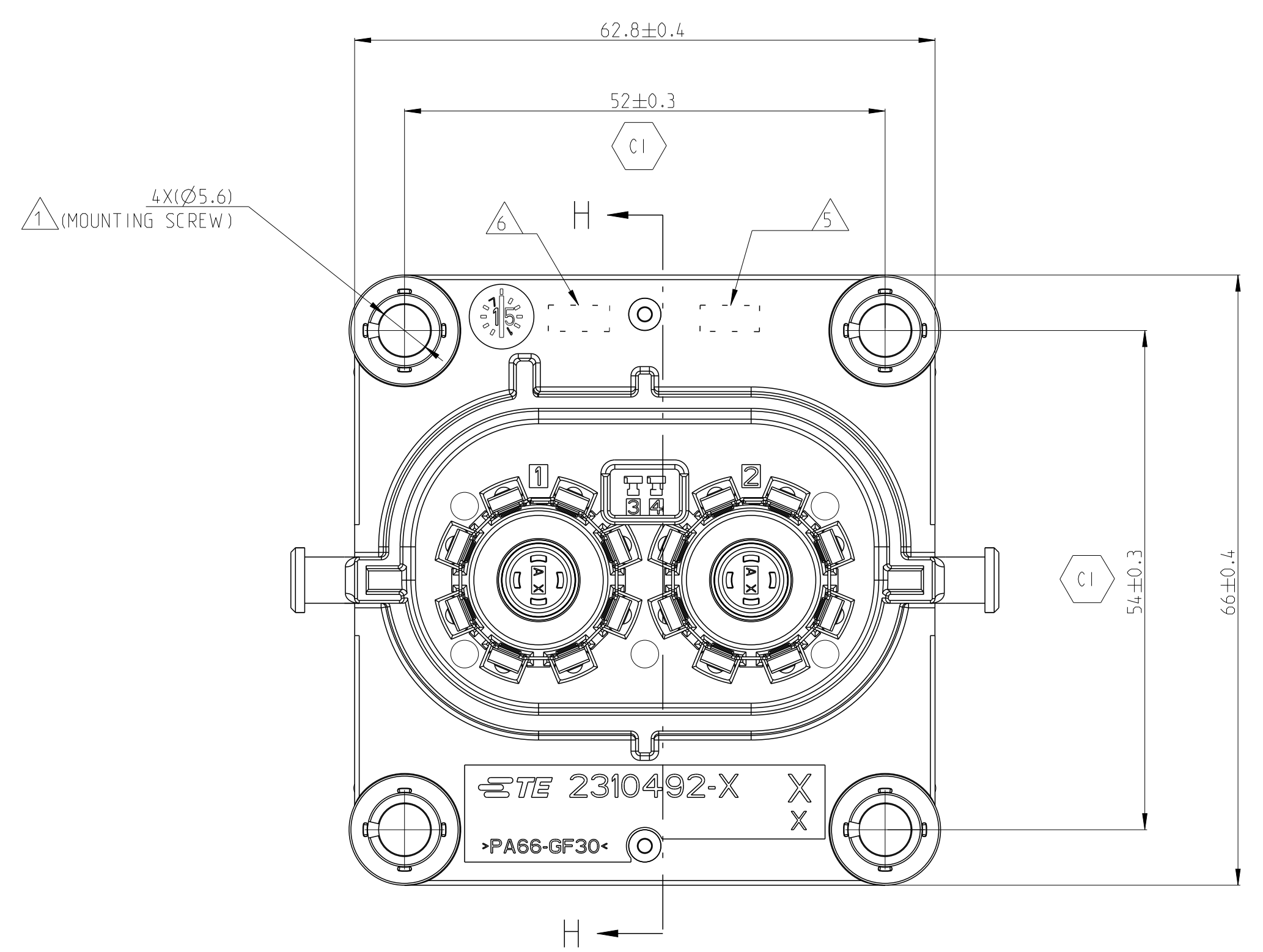
THIS DRAWING IS A CONTROLLED DOCUMENT. DATE: 09APR2019

TE Connectivity

2POS.PIN DIA 8.0.PIN HSG.ASSY

SCALE: 2:1 SHEET 1 OF 4 REV C1

REVISIONS			
REV	DATE	DESCRIPTION	BY
1		SEE SHEET 1	



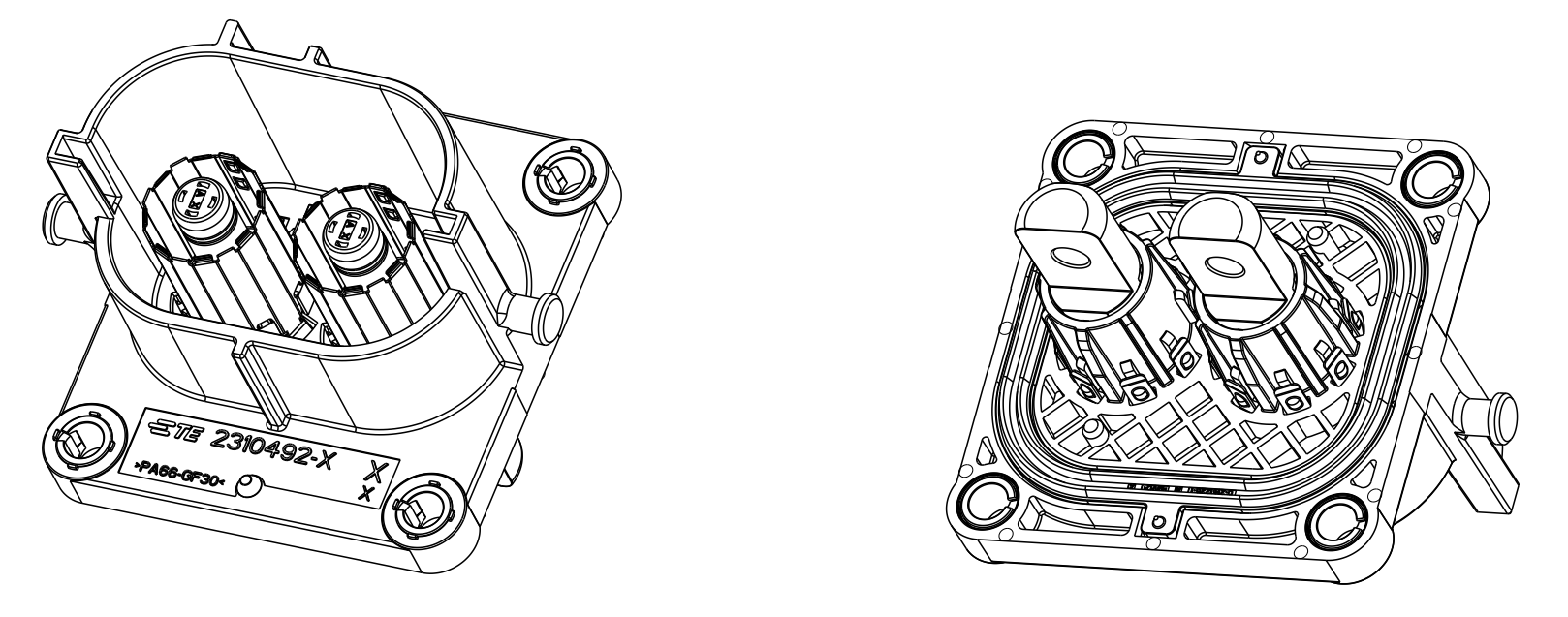
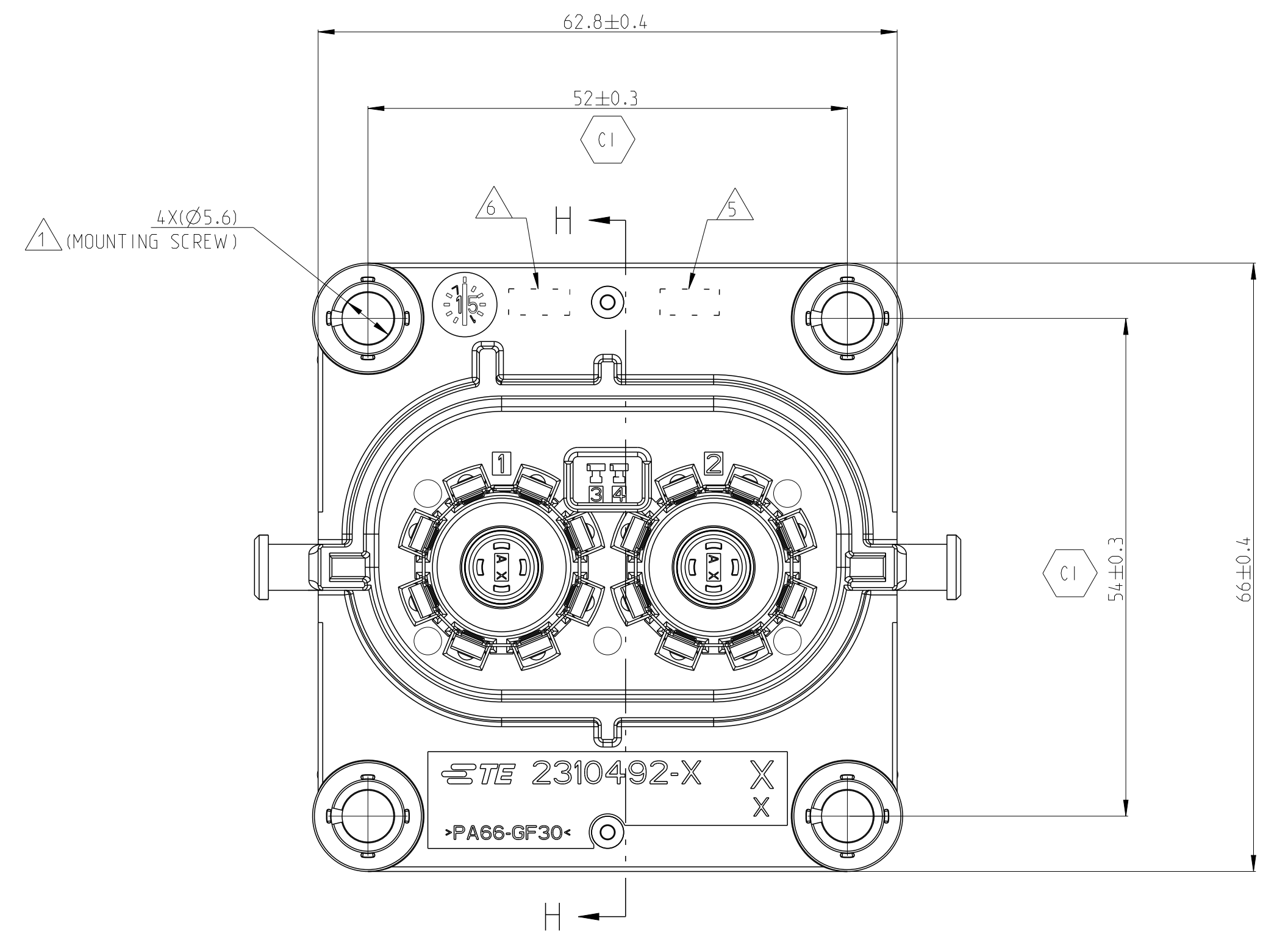
QTY	DESCRIPTION	MATERIAL	SURFACE COLOUR	WEIGHT (g)	ITEM				
1	2 LOCK, IL. HEADER	PA6-(GF) HB	GRAY SIM RAL 7037		7				
1	SHIELDING SLEEVE	PA6-(GF) VO	RED SIM RAL 3000		6				
2	COMPRESSION DELIMITER, HV HEADER	Cu-ALLOY	TIN PLATED		5				
4	RADIAL SEAL 56.4 X 50	SILICONE RUBBER HB	NATURE		4				
1	PIN DIA 8.0, PIN, M6	SILICONE RUBBER VO	DARK GREY		3				
2	PROTECTION COVER 8MM HV	Cu-ALLOY	SILVER PLATED		2				
2	2POS,PIN DIA 8.0,PIN HSG,90, SEALED	PA6-(GF) HB	NATURE	(144.4)	1				
2		PA66-(GF) HB	BLACK SIM RAL 9005						
2		PA66 VO	WHITE SIM RAL 9010						
2		PA66 VO	BLACK SIM RAL 9005						
2		PA66-GF HB							
2		PA66-GF HB							
2		PA66-GF HB							
2		PA66-GF VO	ORANGE SIM RAL 2003						
2		PA66-GF VO							
2		PA66-GF VO							
4	DESCRIPTION	MATERIAL	SURFACE COLOUR	WEIGHT (g)	ITEM				
D	C	B	A	D	C	B	A		
QTY PER ASSY PARTS		DESCRIPTION				PART LIST			

TE-ASSY-NO.	COD.	DESCRIPTION	TE-ASSY-NO.	TE-PART-NO.	DESCRIPTION	MATERIAL	SURFACE COLOUR	WEIGHT (g)	QTY	ITEM
4-2322122-8	D	2POS,PIN DIA 8.0,PIN HSG,90,ASSY BUSBAR M6 PROTECTION CAP	-	9-2208100-1	2POS. PROTECTION CAP	PS	BLACK SIM RAL 9005	(3.3)	1	8
4-2322122-7	C	2POS,PIN DIA 8.0,PIN HSG,90,ASSY BUSBAR M6 PROTECTION CAP	3-2322122-4	-	2POS,PIN DIA 8.0,PIN HSG,90,ASSY BUSBAR M6	-	-	-	1	1-7
4-2322122-6	B	2POS,PIN DIA 8.0,PIN HSG,90,ASSY BUSBAR M6 PROTECTION CAP	3-2322122-3	-	2POS. PROTECTION CAP	PS	BLACK SIM RAL 9005	(3.3)	1	8
4-2322122-5	A	2POS,PIN DIA 8.0,PIN HSG,90,ASSY BUSBAR M6 PROTECTION CAP	3-2322122-2	-	2POS,PIN DIA 8.0,PIN HSG,90,ASSY BUSBAR M6	-	-	-	1	1-7
1-2322122-8	D	2POS,PIN DIA 8.0,PIN HSG,90,ASSY BUSBAR M6 PROTECTION CAP	-	9-2208100-1	2POS. PROTECTION CAP	PS	BLACK SIM RAL 9005	(3.3)	1	8
1-2322122-7	C	2POS,PIN DIA 8.0,PIN HSG,90,ASSY BUSBAR M6 PROTECTION CAP	1-2322122-4	-	2POS,PIN DIA 8.0,PIN HSG,90,ASSY BUSBAR M6	-	-	-	1	1-7
1-2322122-6	B	2POS,PIN DIA 8.0,PIN HSG,90,ASSY BUSBAR M6 PROTECTION CAP	1-2322122-3	-	2POS. PROTECTION CAP	PS	BLACK SIM RAL 9005	(3.3)	1	8
1-2322122-5	A	2POS,PIN DIA 8.0,PIN HSG,90,ASSY BUSBAR M6 PROTECTION CAP	1-2322122-2	-	2POS,PIN DIA 8.0,PIN HSG,90,ASSY BUSBAR M6	-	-	-	1	1-7
9-2322122-1	A	2POS,PIN DIA 8.0,PIN HSG,90,ASSY BUSBAR M6	1-2322122-1	-	2POS,PIN DIA 8.0,PIN HSG,90,ASSY BUSBAR M6	-	-	-	1	1-7
1-2322122-5	A	2POS,PIN DIA 8.0,PIN HSG,90,ASSY BUSBAR M6 PROTECTION CAP	-	9-2208100-1	2POS. PROTECTION CAP	PS	BLACK SIM RAL 9005	(3.3)	1	8
1-2322122-1	A	2POS,PIN DIA 8.0,PIN HSG,90,ASSY BUSBAR M6	1-2322122-1	-	2POS,PIN DIA 8.0,PIN HSG,90,ASSY BUSBAR M6	-	-	-	1	1-7

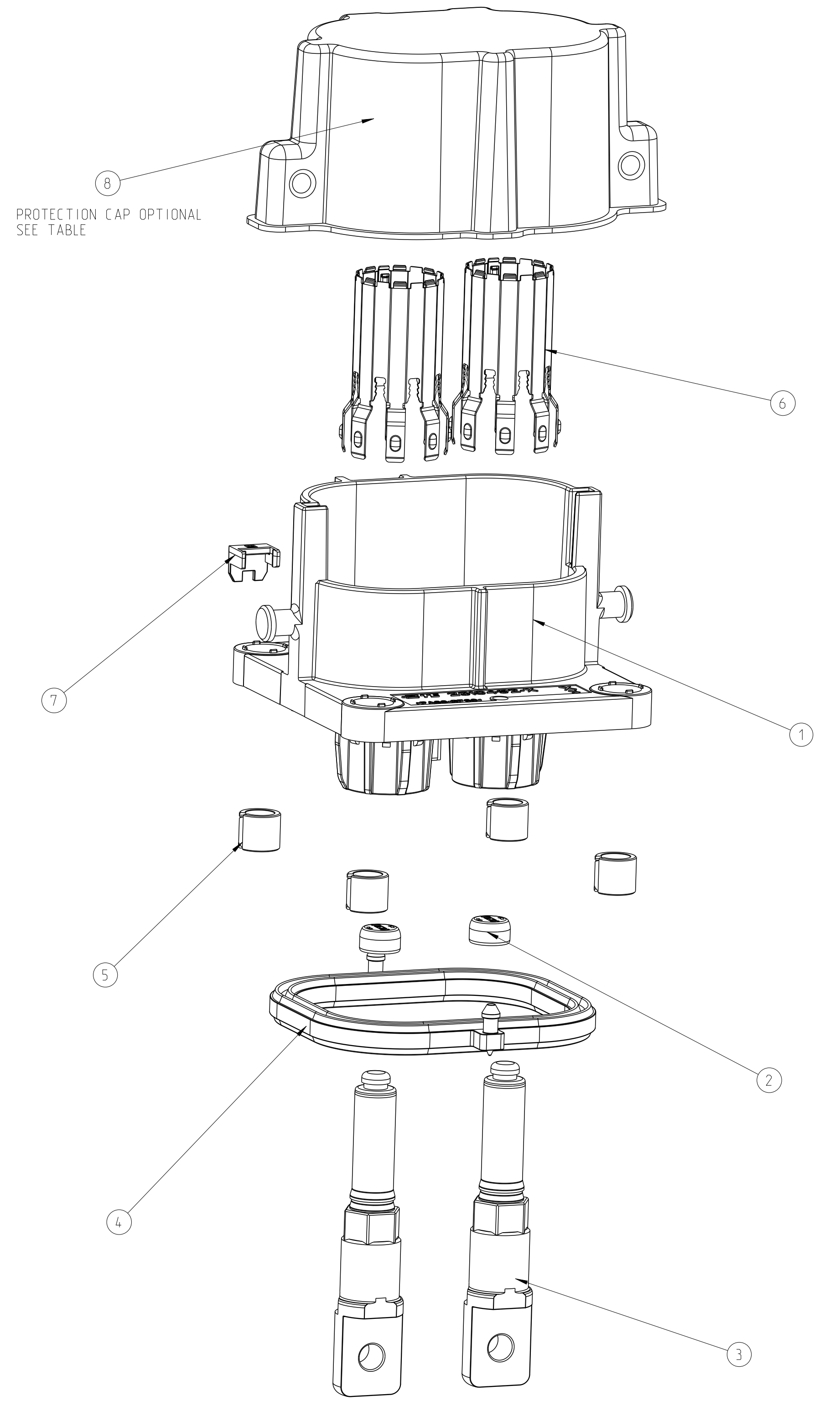
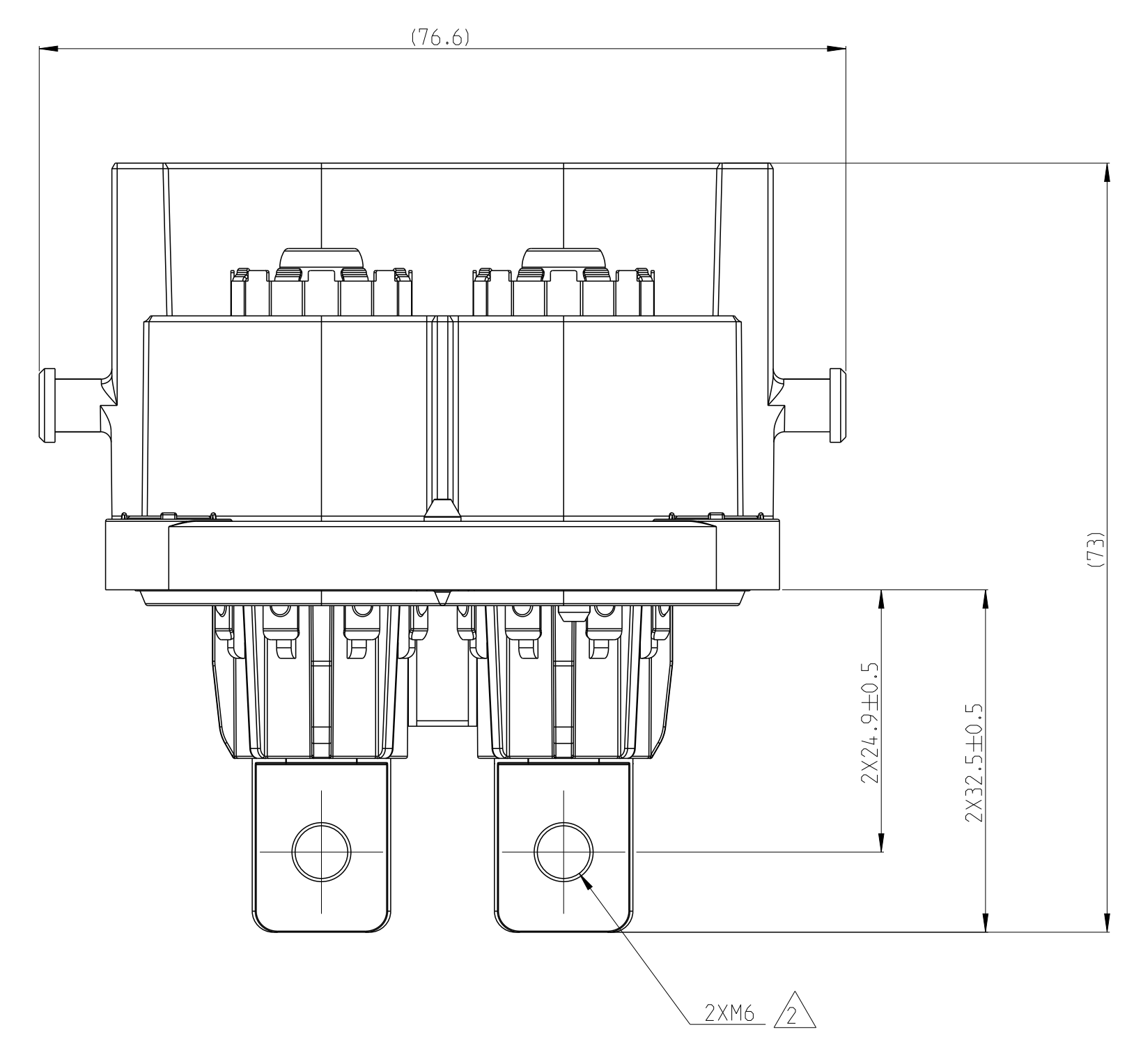
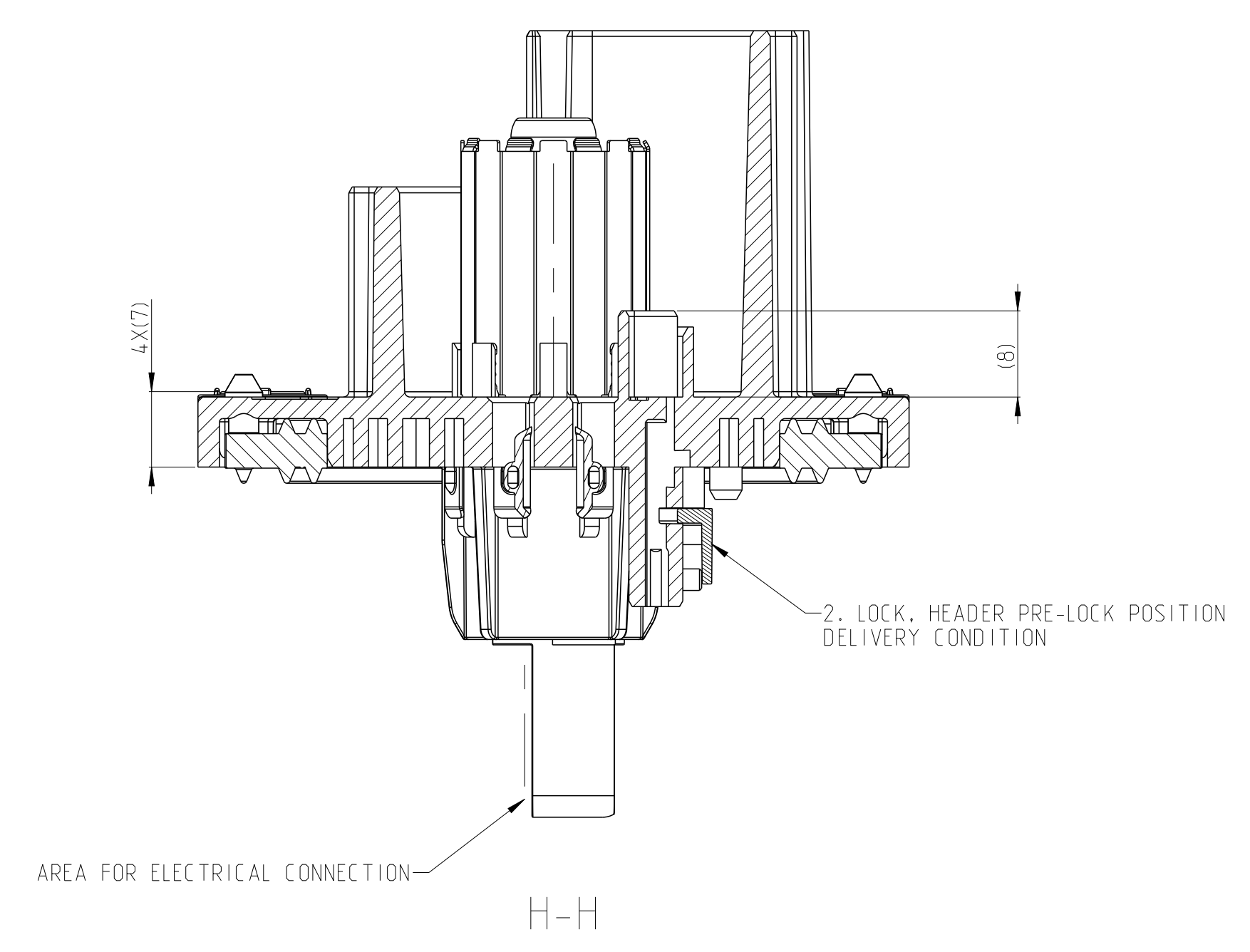
THIS DRAWING IS A CONTROLLED DOCUMENT. DATE: 09APR2019. DRAWN BY: J.L.L. CHECKED BY: S.Y. WANG. APPROVED BY: J.L.YIN. DIMENSIONS: UNIT: MILLIMETER. TOLERANCES UNLESS OTHERWISE SPECIFIED: DIMENSIONS: 0.5, 0.1, 0.05, 0.025, 0.015, 0.01, 0.005, 0.0025, 0.0015, 0.001. MATERIAL: SEE TABLE. FINISH: SPEC. CUSTOMER DRAWING-RESTRICTED CUSTOMER. SCALE: 2:1. SHEET 2 OF 4. REV C1.

STE TE Connectivity. NAME: 2POS,PIN DIA 8.0,PIN HSG,90,ASSY. SIZE: A0. CASE CODE: 00779. DRAWING NO: 2322122. RESTRICTED TO: CUSTOMER.

REVISIONS			
REV	DATE	DESCRIPTION	BY
1		SEE SHEET 1	



2-1 AS SHOWN



ITEM	DESCRIPTION	MATERIAL	SURFACE COLOUR	WEIGHT (g)	ITEM
7	2-LOCK, IL. HEADER	PA6-(GF/GB) HB	GRAY SIM RAL 7037		7
6	SHIELDING SLEEVE	PA6-(GF) VO	RED SIM RAL 3000		6
5	COMPRESSION DELIMITER, HV HEADER	Cu-ALLOY	TIN PLATED		5
4	RADIAL SEAL 56.4 X 50	SILICONE RUBBER HB	NATURE		4
3	PIN DIA 8.0. PIN. M6	SILICONE RUBBER VO	DARK GREY		3
2	PROTECTION COVER 8MM HV	Cu-ALLOY	SILVER PLATED		2
1	2POS.PIN DIA 8.0.PIN HSG.90.SEALED	PA6-(GF/GB) HB	NATURE		1
		PA66 VO	BLACK SIM RAL 9005	(144.4)	
		PA66 VO	WHITE SIM RAL 9010		
		PA66-GF HB	BLACK SIM RAL 9005		
		PA66-GF HB			
		PA66-GF HB			
		PA66-GF HB			
		PA66-GF VO	ORANGE SIM RAL 2003		
		PA66-GF VO			
		PA66-GF VO			
		PA66-GF VO			

ITEM	DESCRIPTION	TE-ASSY-NO.	TE-PART-NO.	DESCRIPTION	MATERIAL	SURFACE COLOUR	WEIGHT (g)	QTY	ITEM
5-2322122-8	2POS.PIN DIA 8.0.PIN HSG.90.ASSY BUSBAR M6 PROTECTION CAP	-	9-2208100-1	2POS. PROTECTION CAP	PS	BLACK SIM RAL 9005	(3.3)	1	8
5-2322122-7	2POS.PIN DIA 8.0.PIN HSG.90.ASSY BUSBAR M6 PROTECTION CAP	-	9-2208100-1	2POS. PROTECTION CAP	PS	BLACK SIM RAL 9005	(3.3)	1	8
5-2322122-6	2POS.PIN DIA 8.0.PIN HSG.90.ASSY BUSBAR M6 PROTECTION CAP	-	9-2208100-1	2POS. PROTECTION CAP	PS	BLACK SIM RAL 9005	(3.3)	1	8
5-2322122-5	2POS.PIN DIA 8.0.PIN HSG.90.ASSY BUSBAR M6 PROTECTION CAP	-	9-2208100-1	2POS. PROTECTION CAP	PS	BLACK SIM RAL 9005	(3.3)	1	8

ITEM	DESCRIPTION	TE-ASSY-NO.	TE-PART-NO.	DESCRIPTION	MATERIAL	SURFACE COLOUR	WEIGHT (g)	QTY	ITEM
2-2322122-8	2POS.PIN DIA 8.0.PIN HSG.90.ASSY BUSBAR M6 PROTECTION CAP	-	9-2208100-1	2POS. PROTECTION CAP	PS	BLACK SIM RAL 9005	(3.3)	1	8
2-2322122-7	2POS.PIN DIA 8.0.PIN HSG.90.ASSY BUSBAR M6 PROTECTION CAP	-	9-2208100-1	2POS. PROTECTION CAP	PS	BLACK SIM RAL 9005	(3.3)	1	8
2-2322122-6	2POS.PIN DIA 8.0.PIN HSG.90.ASSY BUSBAR M6 PROTECTION CAP	-	9-2208100-1	2POS. PROTECTION CAP	PS	BLACK SIM RAL 9005	(3.3)	1	8
2-2322122-5	2POS.PIN DIA 8.0.PIN HSG.90.ASSY BUSBAR M6 PROTECTION CAP	-	9-2208100-1	2POS. PROTECTION CAP	PS	BLACK SIM RAL 9005	(3.3)	1	8

THIS DRAWING IS A CONTROLLED DOCUMENT.

DATE: 09APR2019
 CHN: S.Y. WANG
 APPROV: 02AUG2017
 NAME: 2POS.PIN DIA 8.0.PIN HSG.ASSY

TE Connectivity

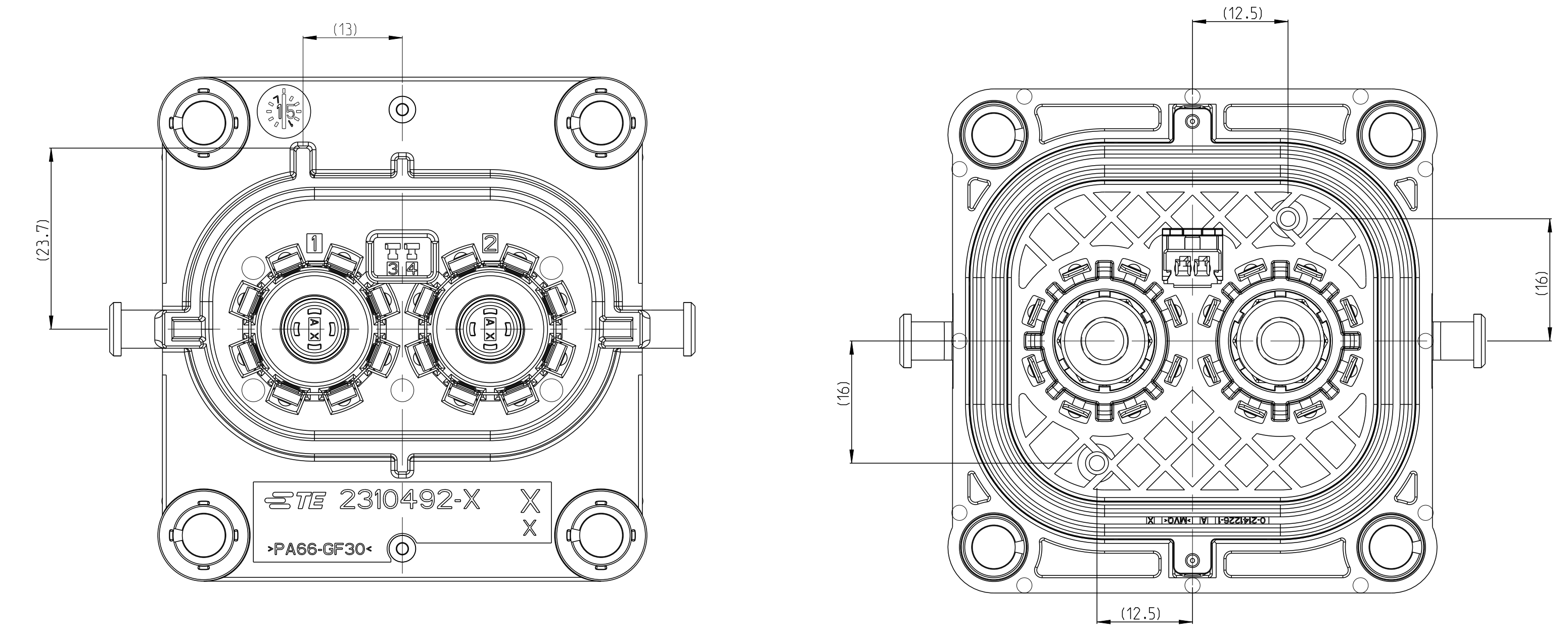
SCALE: 2:1 SHEET 3 OF 4

REVISIONS			
NO.	DATE	DESCRIPTION	BY
1		SEE SHEET 1	

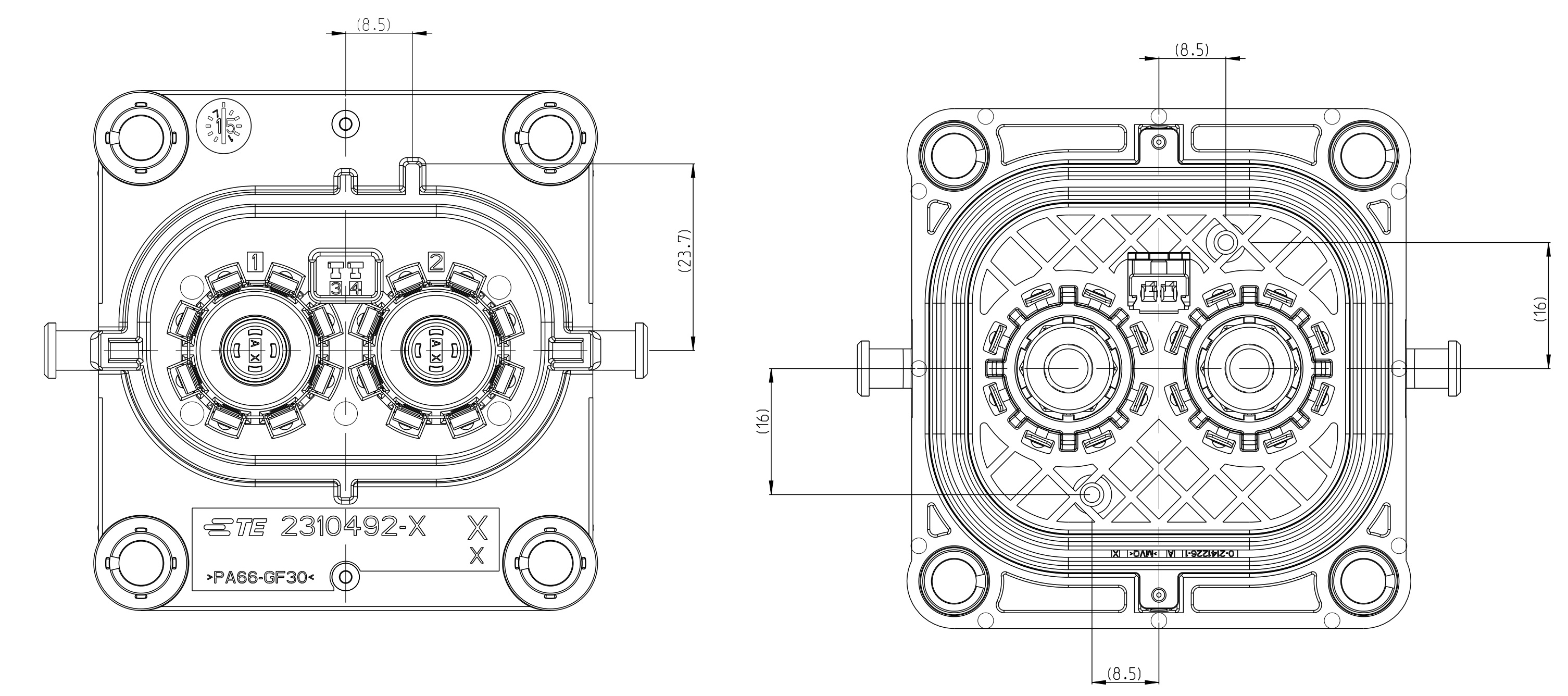
CODING DEFINITION FOR ALL VARIANT

ACCORDING TO INTERFACE DRAWING: 114-94034 AND 114-94032

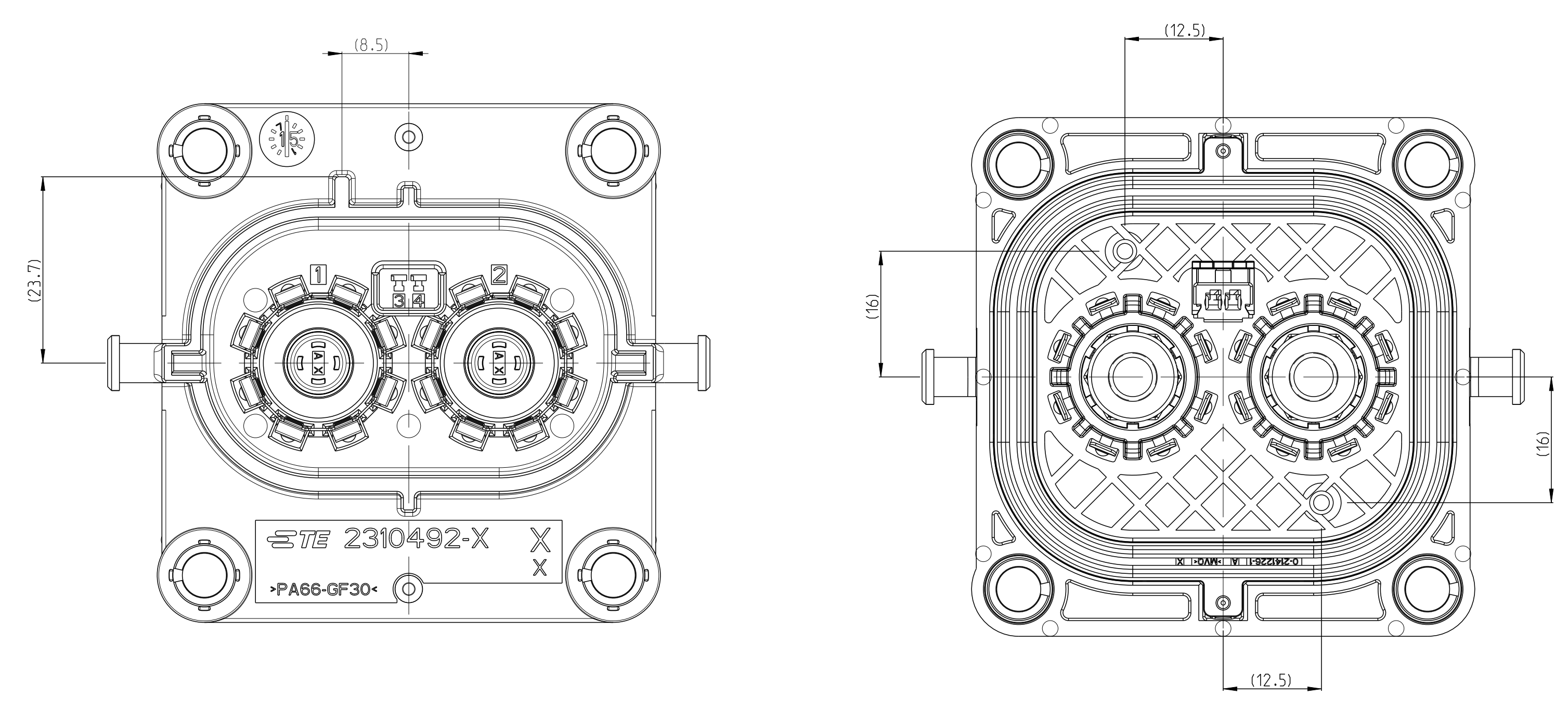
CODING A



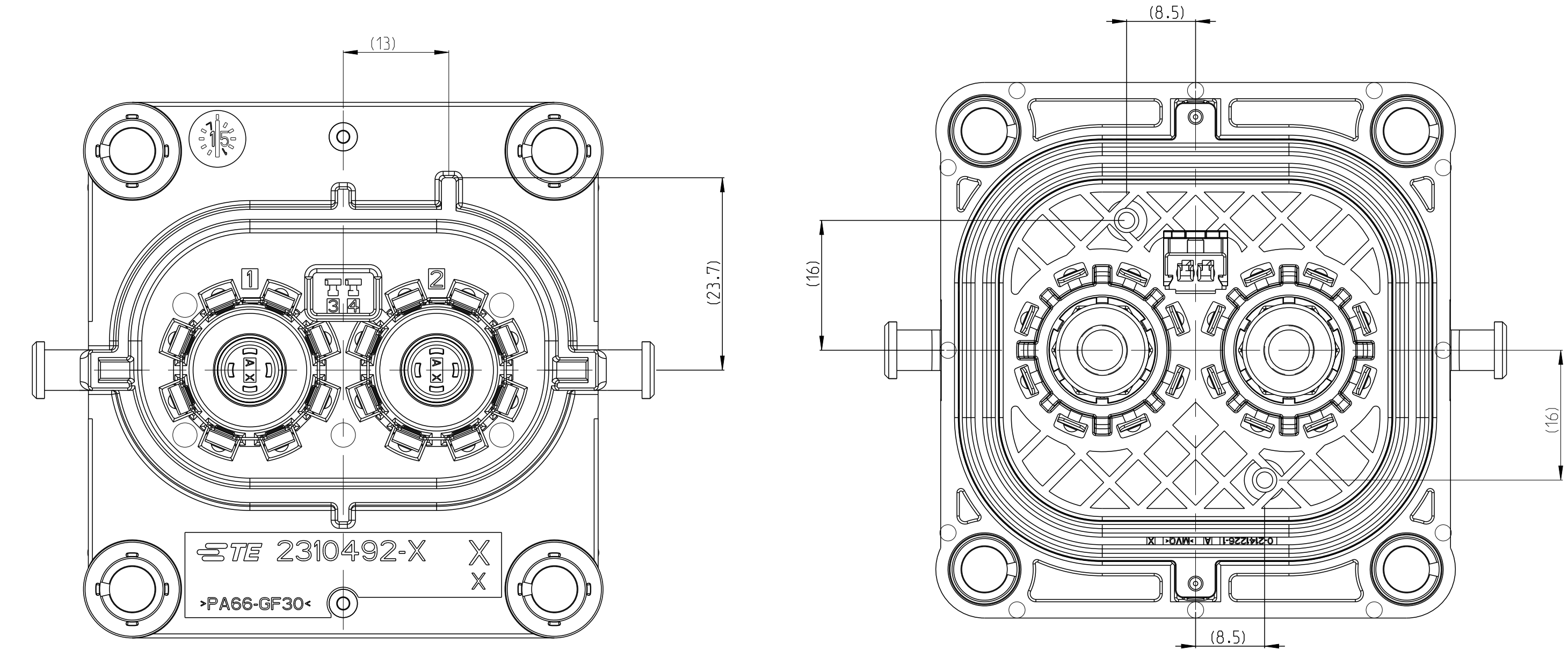
CODING C



CODING B



CODING D



THIS DRAWING IS A CONTROLLED DOCUMENT.		DATE: 09APR2019	REV: 1
DRAWN BY: J.L.L.	CHECKED BY: S.Y. WANG	DATE: 24 JUL 2017	DATE: 02 AUG 2017
DESIGNED BY: J.L.L.	APPROVED BY: J.L.Y.	DATE: 02 AUG 2017	DATE: 02 AUG 2017
TITLE: 2POS.PIN DIA 8.0PIN HSG.ASSY	SCALE: 2:1	SHEET: 4	OF: 4
MATERIAL: SEE TABLE	FINISH: SPEC 2	CUSTOMER DRAWING-RESTRICTED	CUSTOMER