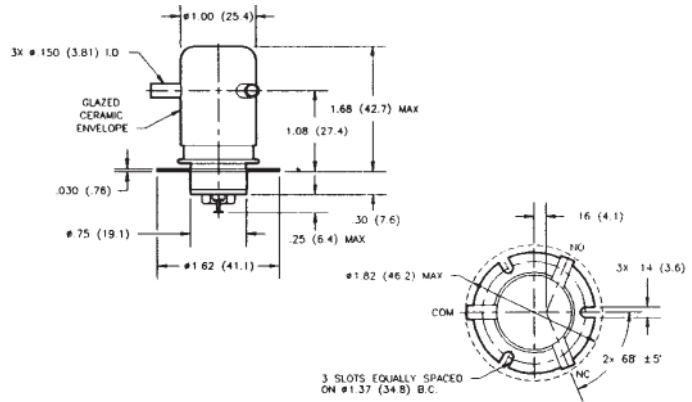


KC Series Make Only Load Switching — 15 kV Relays (Continued)

KC-15

Product Facts

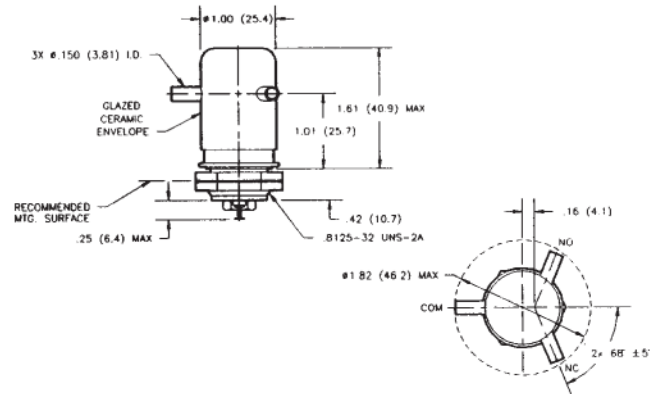
- SF-6 gas-filled for power switching on the “make”
- Long load life in capacitive discharge
- Recommended for ESD testing and safety interlock applications
- Meets requirements of MIL-R-83725



KC-16

Product Facts

- Threaded base version of KC-15
- SF-6 gas-filled for power switching on the “make”
- 15 kV rating
- Meets requirements of MIL-R-83725



Product Specifications for KC-15 and KC-16

- Contact Arrangement** — SPDT
- Contact Form** — C
- Test Voltage, DC or 60 Hz (Peak)** — 17 kV
- Rated Operating Voltage (Peak)** — DC or 60 Hz — 15 kV
- Continuous Carry Current, Max.** — DC or 60 Hz — 12 A
- Coil Hi-Pot (Vrms, 60 Hz) — 500 A
- Contact Capacitance** — Between Open Contacts — N/A
- Open Contacts to Ground — N/A
- Contact Resistance, Max.** — 1.0 ohm*
- Operate Time, Max.** — 15 ms
- Release Time, Max.** — 9 ms
- Shock, 11ms, 1/2 Sine (Peak)** — 50 g
- Vibration** — Peak — 10 g (55 to 500 Hz)

- Operating Ambient Temperature Range** — -55°C to +125°C
- Mechanical Life** — 1 million cycles
- Weight, Nominal** — 85 g (3 oz.)

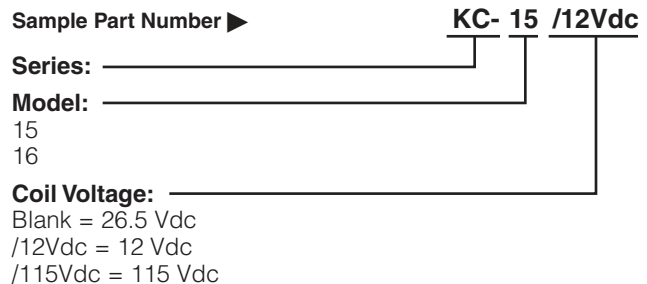
Note:
*Contact resistance for gas-filled relays measured 28 Vdc, 1 Amp

Coil Data

Volts, Nominal DC	12 V	26.5 V	115 V
Pickup, Max.	8 Vdc	16 Vdc	80 Vdc
Dropout	.5-5 Vdc	1-10 Vdc	5-50 Vdc
Coil Resistance (±10%)	48 Ω	180 Ω	2900 Ω

Ratings listed are for 25°C, sea level conditions

Ordering Information



For factory-direct application assistance, dial 800-253-4560, ext. 2055, or 805-220-2055.